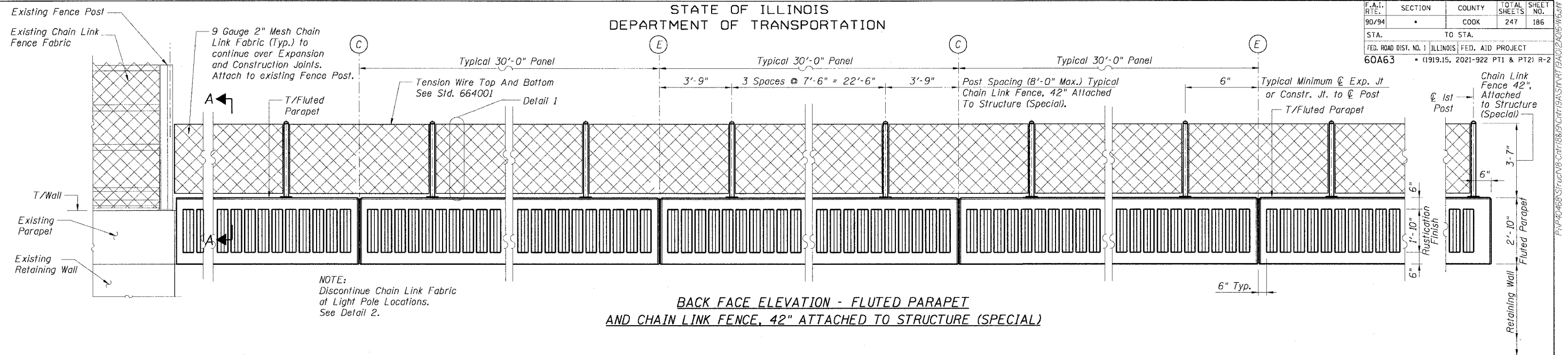


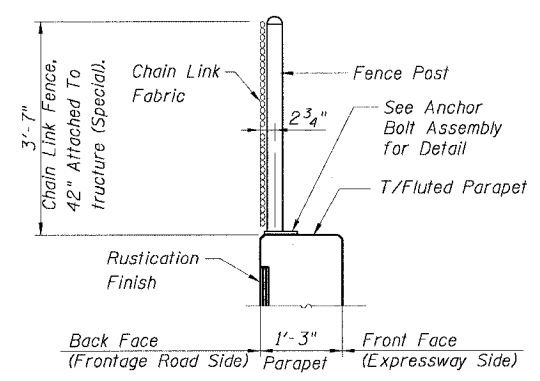
STATE OF ILLINOIS
DEPARTMENT OF TRANSPORTATION

F.A.I. R.T.E.	SECTION	COUNTY	TOTAL SHEETS	SHEET NO.
90/94		COOK	247	186
STA.	TO STA.			
FED. ROAD DIST. NO. 1	ILLINOIS	FED. AID PROJECT		
60A63	(1919.15, 2021-922 PT1 & PT2) R-2			

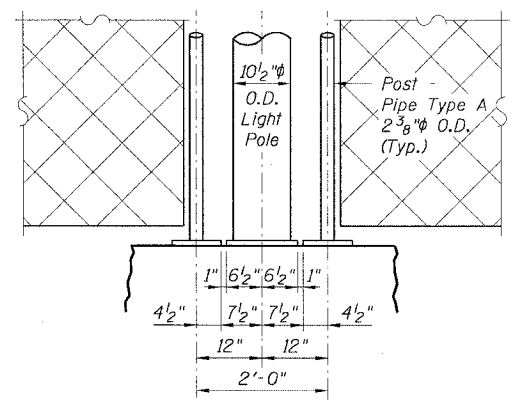


NOTE:
Discontinue Chain Link Fabric at Light Pole Locations. See Detail 2.

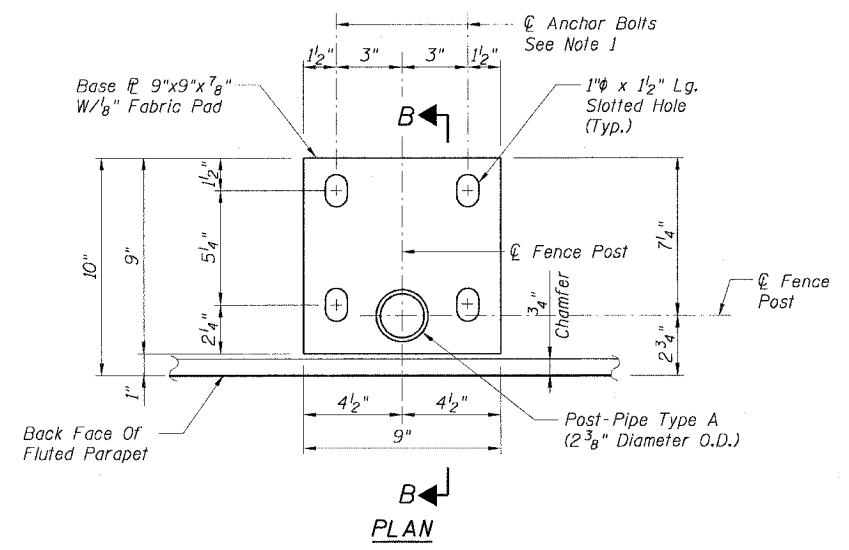
BACK FACE ELEVATION - FLUTED PARAPET AND CHAIN LINK FENCE, 42" ATTACHED TO STRUCTURE (SPECIAL)



SECTION A-A



DETAIL 2



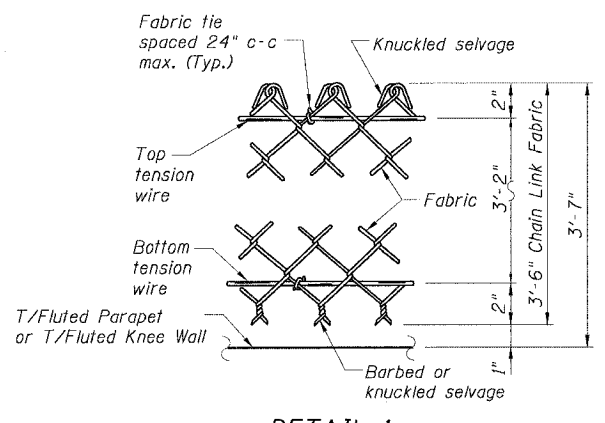
PLAN

NOTES:

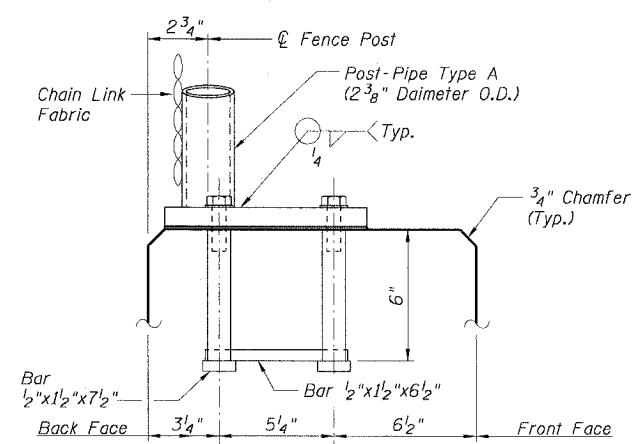
- Anchor Bolts:
In lieu of the Cast in Place Anchor Bolt Assembly shown, the Contractor has the option of drilling and grouting 5/8" diameter Galvanized Anchor Rods with Hex Nuts and 1/4" diameter Washers. Embedment shall be according to Adhesive Anchor Manufacturers specifications. Weld nuts to Anchor Bolt after installation. Included in the cost of Chain Link Fence, 42" Attached To Structure (Special).
- For additional Chain Link Fence Details see Std. 664001.

LEGEND:

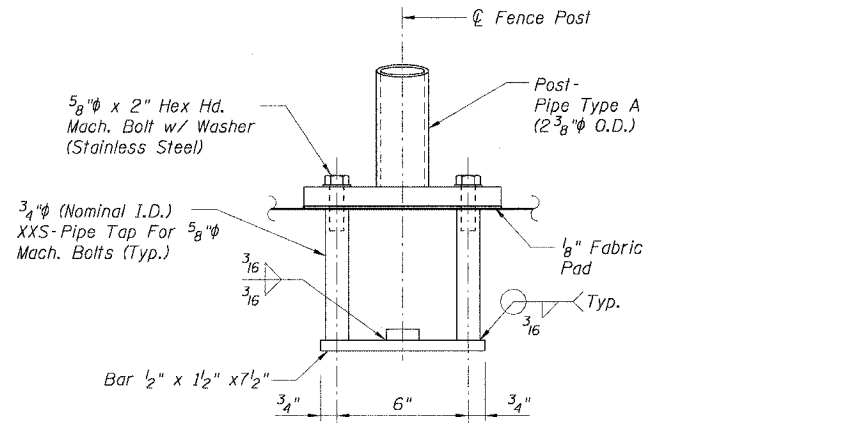
- (C) Construction Joint
- (E) Expansion Joint
- Chain Link Fabric
- Rustication Finish



DETAIL 1



SECTION B-B



ELEVATION

ANCHOR BOLT ASSEMBLY DETAILS

REVISIONS	NAME	DATE

Sheet B6 of 7
ILLINOIS DEPARTMENT OF TRANSPORTATION
F.A.I. 90/94 (DAN RYAN EXPRESSWAY)
63RD STREET TO GARFIELD BLVD (SB LOCAL LANES)
CHAIN LINK FENCE DETAILS
69TH STREET SOUTHWEST RETAINING WALL
SECTION (1818, ETC. 2324.6-1P) R-II
STATION 61+65.38 TO 67+08.38
COOK COUNTY
SCALE: None DRAWN BY: RSB
DATE: June 9, 2006 CHECKED BY: MJP

F:\P\40468-Struct\8-Chr\1818\CH1818\AS\RT\1818\2006\2006-06-09