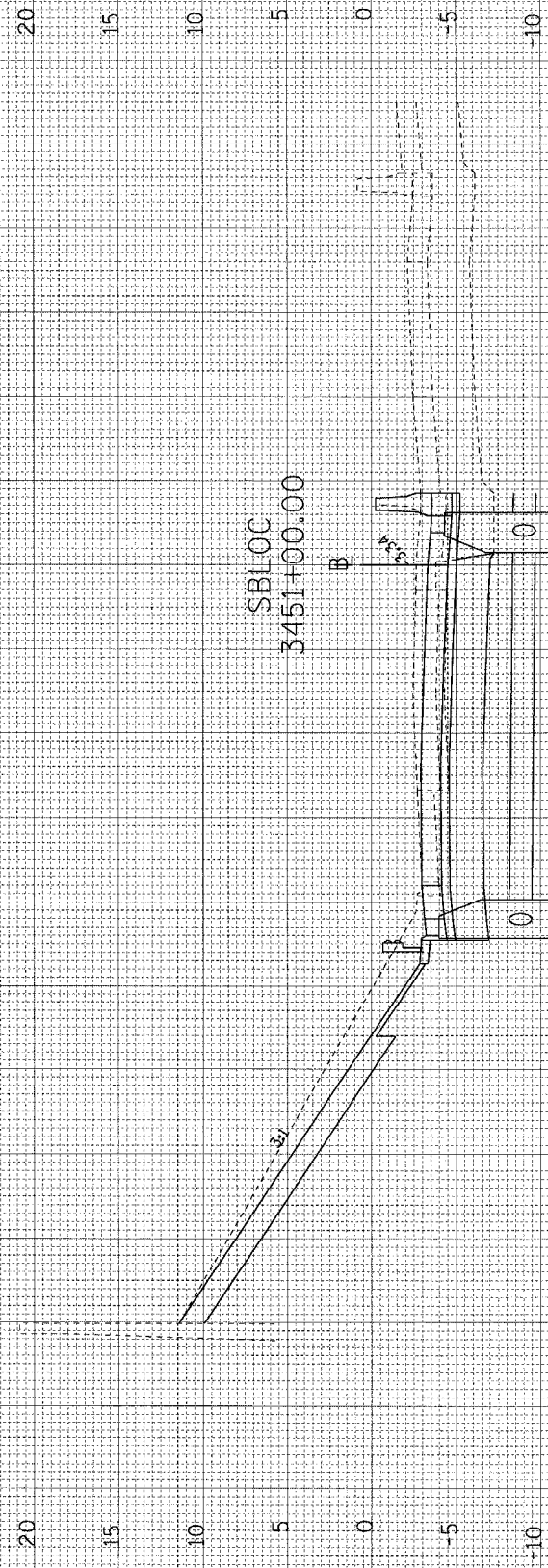
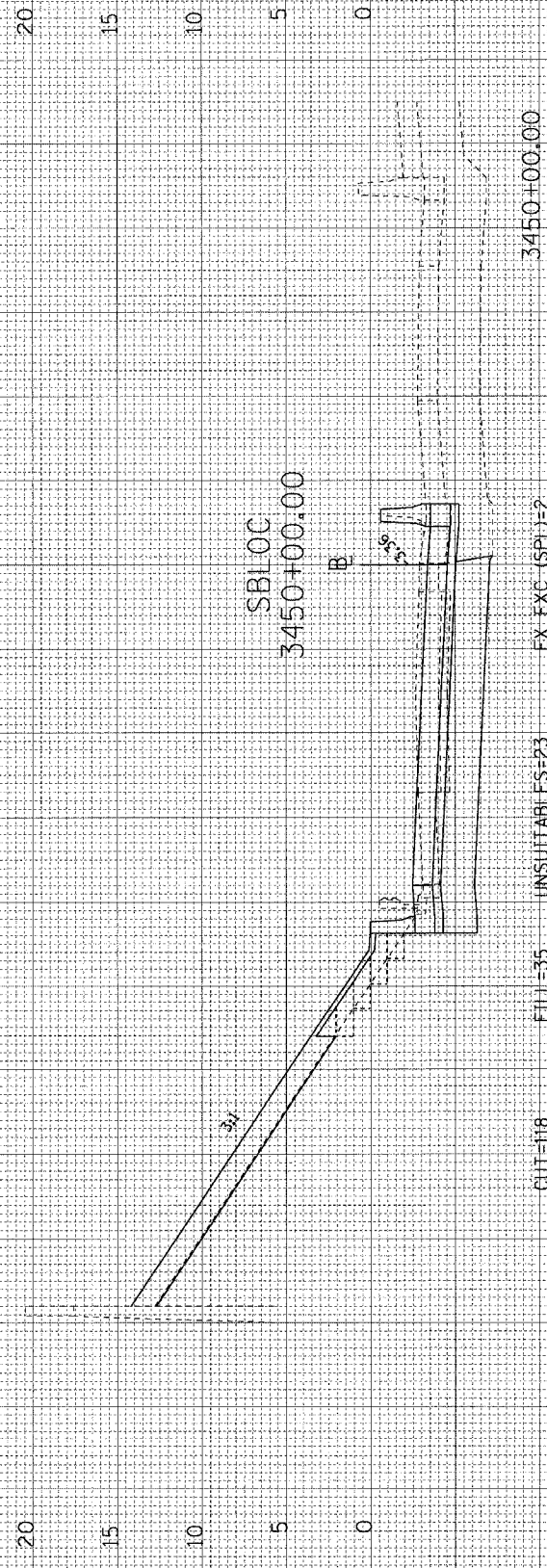


| | | | |
|-----------------|---------------|----|------|
| ORIGINAL SURVEY | SURVEYED | BY | DATE |
| NOTE BOOK | PLOTTED | | |
| AREAS CHECKED | TEMPLATE | | |
| | AREAS CHECKED | | |

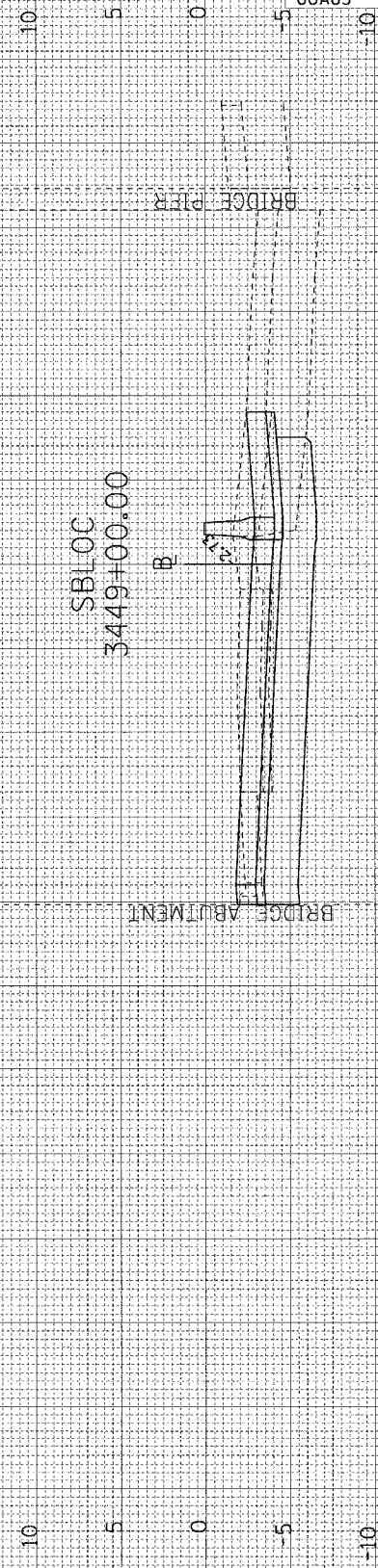
| | | | |
|-----------------|---------------|----|------|
| ORIGINAL SURVEY | SURVEYED | BY | DATE |
| NOTE BOOK | PLOTTED | | |
| AREAS CHECKED | TEMPLATE | | |
| | AREAS CHECKED | | |



CUT=222 FILL=0 UNSUITABLES=25 EX EXC (SPL)=0 3451+00.00



CUT=118 FILL=35 UNSUITABLES=23 EX EXC (SPL)=2 3450+00.00



CUT=355 FILL=0 UNSUITABLES=0 EX EXC (SPL)=0 3449+00.00

| | | | | |
|---|---------|--------|--------------|-----------|
| F.A.I. RTE. | SECTION | COUNTY | TOTAL SHEETS | SHEET NO. |
| 90/94 | • | COOK | 247 | 213 |
| FED. ROAD DIST. NO. 1 ILLINOIS FED. AID PROJECT | | | | |
| 60A63 • (1919.15, 2021-922 PT1 & PT2) R-2 | | | | |