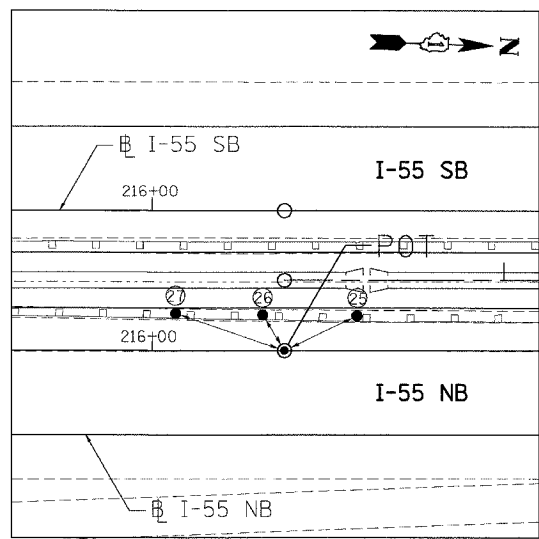
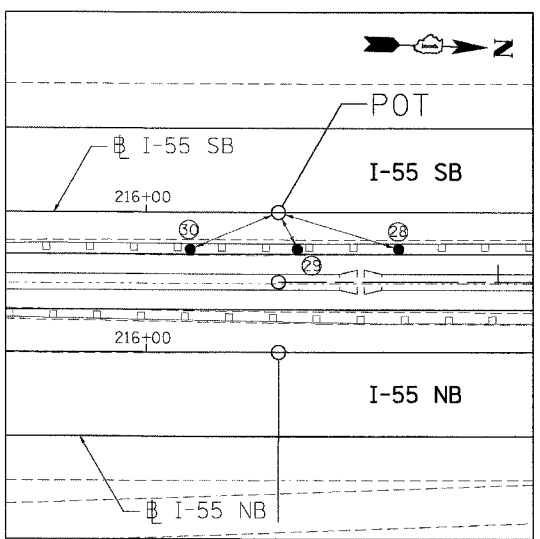


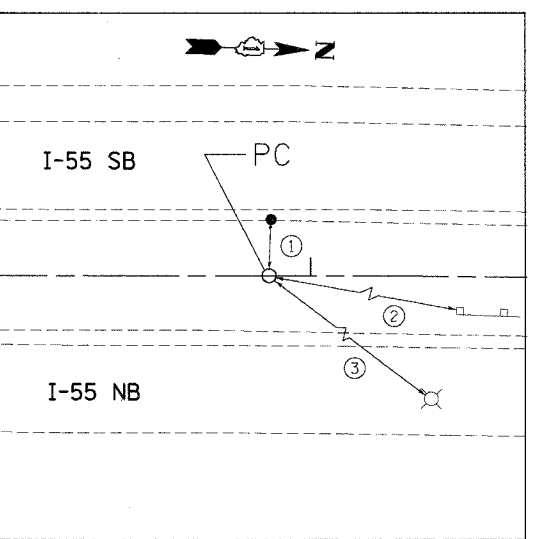
F.A.I. RTE.	SECTION	COUNTY	TOTAL SHEETS	SHEET NO.
55	2006-031 BY	WILL.	137	12
STA.		TO STA.		
FED. ROAD DIST. NO.		ILLINOIS	FED. AID PROJECT	



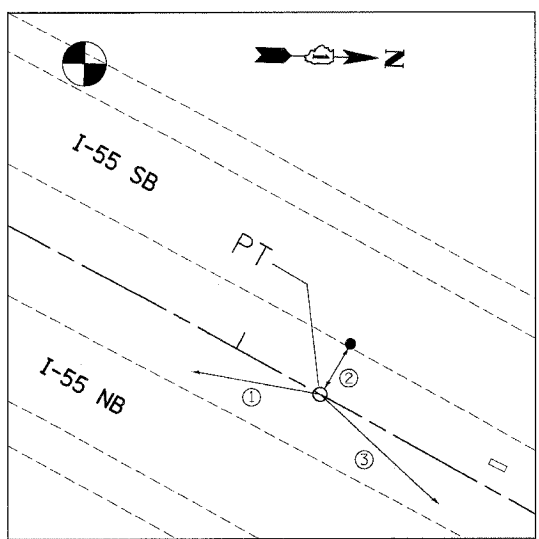
POT STA. 216+37.60 (SET PK NAIL)
 27 SET PK NAIL, 22.84'
 28 SET PK NAIL, 11.78'
 29 SET PK NAIL, 32.62'



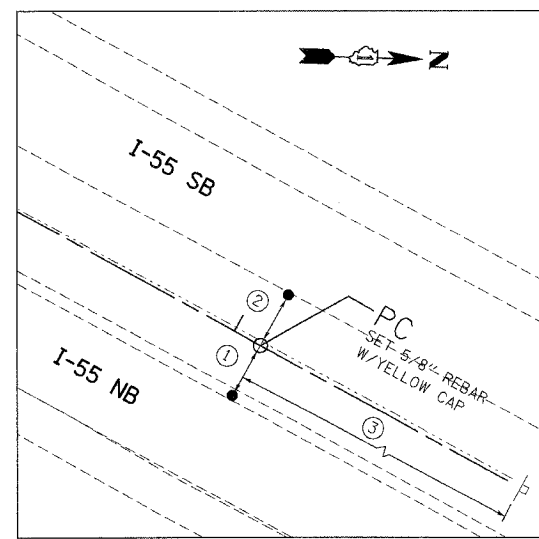
POT STA. 216+37.60 (SET PK NAIL)
 28 SET PK NAIL, 35.82'
 29 SET PK NAIL, 11.90'
 30 SET PK NAIL, 27.24'



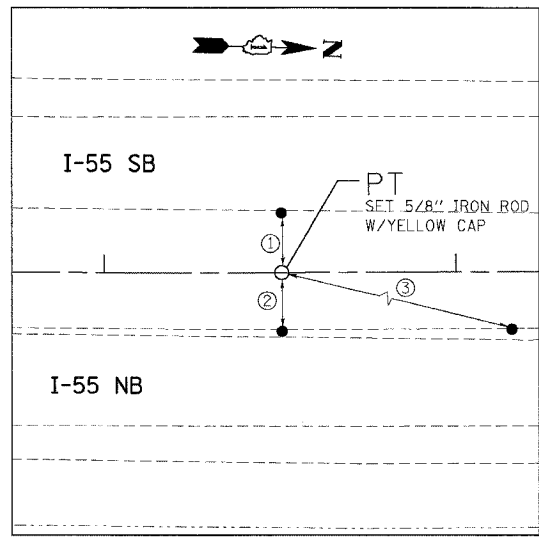
PC STA. 273+88.19
 1 PK NAIL, EDGE OF E. SHLDR OF I-55 SB, 15.97'
 2 PK NAIL, GR POST ALONG W. SHLDR. OF NB I-55, 139.33'
 3 'X' CUT ON W. SIDE OF CONC. BASE OF LP, 119.43'



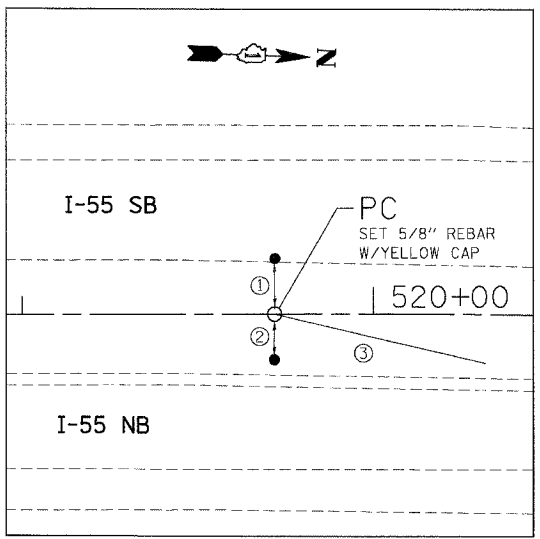
PT STA. 303+27.19
 1 PK NAIL, TOP OF WD. SPACER TO GR, 36.22'
 2 PK NAIL, E. EDGE OF SB I-55 SHLDR, 16.26'
 3 PK NAIL, TOP OF WD. SPACER S. OF TIE #1, 45.48'



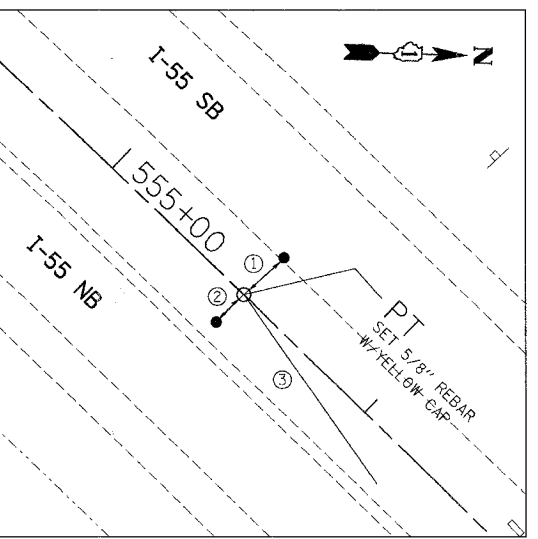
PC STA. 384+08.43
 1 PK NAIL, W. E.P. SHLDR ON NB, 16.39'
 2 PK NAIL, E. E.P. SHLDR ON SB, 16.44'
 3 PK NAIL, E. FACE OF WD POST, 160.77'



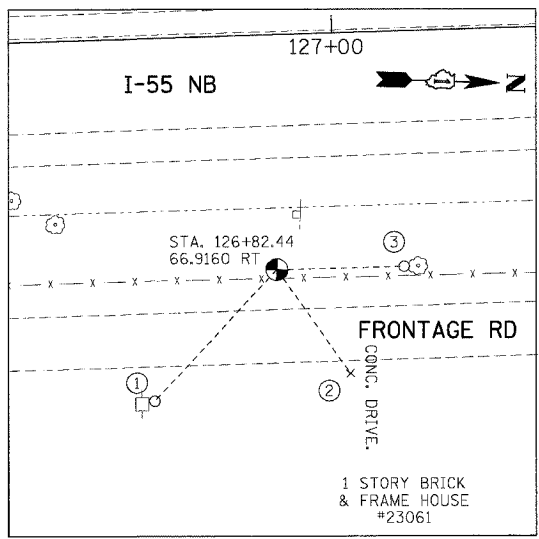
PT STA. 413+50.50
 1 PK NAIL, E. E.P. OF SHLDR ON SB I-55 OPPOSITE P.T., 17.305'
 2 PK NAIL, W. E.P. OF SHLDR ON NB I-55 OPPOSITE P.T., 16.747'
 3 PK NAIL, W. E.P. OF SHLDR ON NB I-55 OPPOSITE SURFACE DRAIN TO CENTER MEDIAN, 130.54'



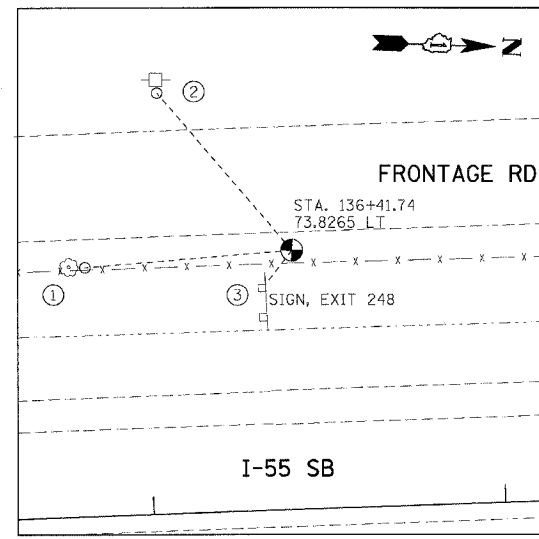
PC STA. 519+71.86
 1 PK NAIL, SHLDR E.P. OF SB I-55, 15.964'
 2 PK NAIL, ON TOP OF POST SPACER TO GR W, 12.796'
 3 PK NAIL, ON 10TH I-BEAM N. OF TIE # 2, 61.467'



PT STA. 555+51.97
 1 PK NAIL, E. E.P. SB I-55 OPP. P.T., 15.601'
 2 PK NAIL, TOP OF WD. POST SPACER ON GR., 11.095'
 3 PK NAIL, ON 10TH WD. POST SPACER ON GR NE'LY OF TIE # 2, 65.809'



TP1
 (N 1747171.665, E 1021895.312, ELEV. 537.694)
 1 PK NAIL ON WEST FACE OF POWER POLE, 70.70'
 2 CUT CROSS IN CONC. DRIVEWAY, 52.12'
 3 PK NAIL ON SOUTH FACE OF 12" TREE, 36.18'



TP2
 (N 1748118.259, E 1021602.430, ELEV. 527.049)
 1 PK NAIL ON EAST FACE OF 10" TREE, 44.45'
 2 PK NAIL ON WEST FACE OF POWER POLE, 59.00'
 3 NEAREST CORNER OF SIGN POST, 12.30'

PLOT DATE = @DATE*
 PLOT SCALE = @SCALE*
 USER NAME = @USER*
 \BOP\9102\BILDEN\N\T881\02\4.DWG
 7-05-2006 9:55:56
 SANJUDOCUMENT\2236162\ACVIL\CONV\B891\02\4-SHT
 GARCIAZ

REVISIONS	
NAME	DATE

ILLINOIS DEPARTMENT OF TRANSPORTATION
 FAI ROUTE 55 (OVER CSX RR AND SUNNYLAND DRAIN)
 BRIDGE WIDENING

ALIGNMENT, TIES AND BENCHMARKS IV

SCALE: N.T.S. DRAWN BY JFS
 DATE 07/07/06 CHECKED BY DDH

TENG TENG & ASSOCIATES, INC.
 ENGINEERS/ARCHITECTS/PLANNERS
 CHICAGO, ILLINOIS