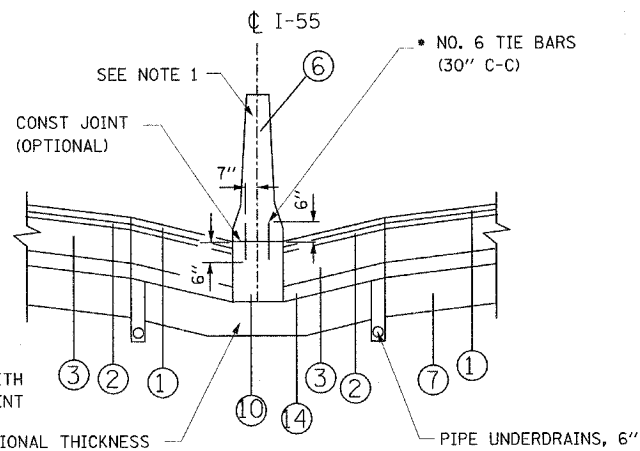


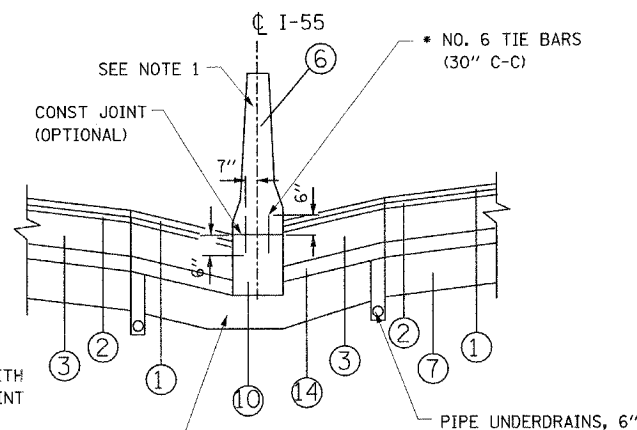
F.A.P. RTE.	SECTION	COUNTY	TOTAL SHEETS	SHEET NO.
55	2006-032 BY	WILL	505	16
STA.		TO STA.		
FED. ROAD DIST. NO.		ILLINOIS FED. AID PROJECT		
		TYP 05 OF 06		



• ONLY REQUIRED WITH OPTIONAL CONST JOINT

COST OF ADDITIONAL THICKNESS OF AGG SUBGRADE TO BE INCLUDED IN CONTRACT UNIT COST FOR AGG SUBGRADE, 12"

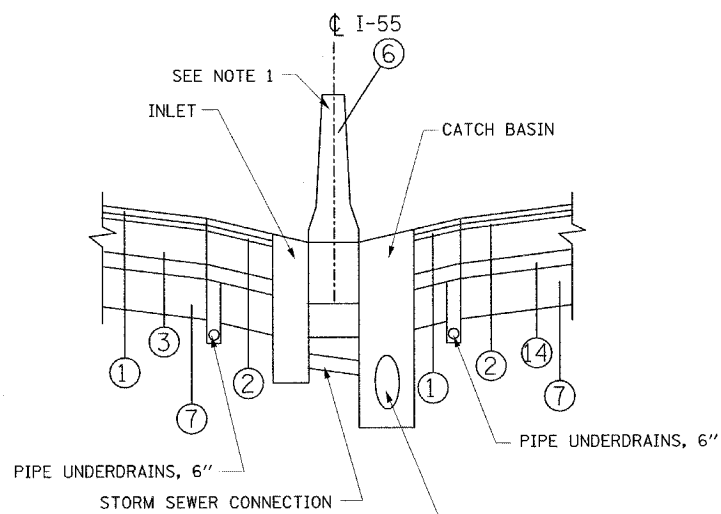
MEDIAN DETAIL A
TYPICAL CONCRETE BARRIER



• ONLY REQUIRED WITH OPTIONAL CONST JOINT

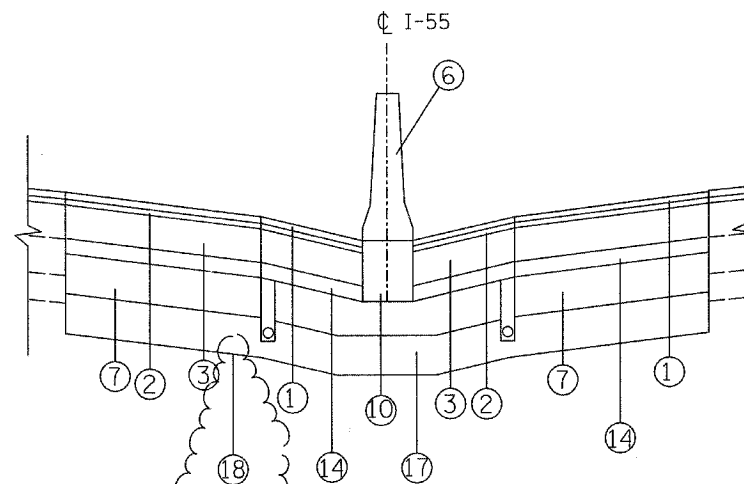
COST OF ADDITIONAL THICKNESS OF AGG SUBGRADE TO BE INCLUDED IN CONTRACT UNIT COST FOR AGG SUBGRADE, 12"

MEDIAN DETAIL B
TYPICAL CONCRETE BARRIER (VARIABLE HEIGHT)



MEDIAN DETAIL C

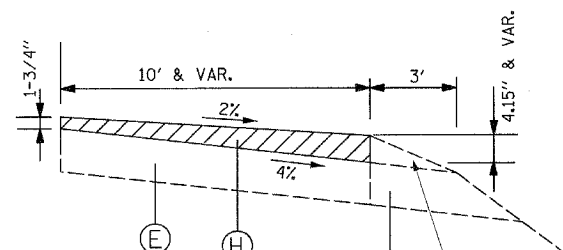
TYPICAL CONCRETE BARRIER W/ INLET AND CATCH BASIN



MEDIAN DETAIL D

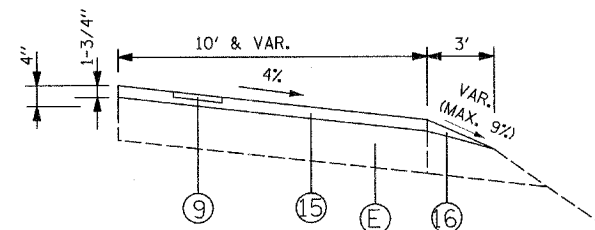
MEDIAN DETAIL WITH PROPOSED UNDERCUT
STA. 628+50 TO STA. 629+70
STA. 785+50 TO STA. 788+25

"POROUS GRANULAR EMBANKMENT, SUBGRADE" AND "GEOTECHNICAL FABRIC FOR GROUND STABILIZATION" ARE TO BE CONSTRUCTED BENEATH THE AGGREGATE SUBGRADE WHERE COHESIVE SOILS WITH HIGH MOISTURE CONTENTS EXIST. THE LIMITS LISTED DELINEATES THE LOCATIONS WHERE SUCH SOILS ARE ANTICIPATED. THE ACTUAL LOCATIONS SHALL BE DETERMINED BY THE ENGINEER.



SHOULDER MILLING DETAIL

REMOVE EXIST AGGREGATE SHLDR THE COST OF THIS WORK SHALL BE INCLUDED IN THE CONTRACT UNIT PRICE FOR "BITUMINOUS SURFACE REMOVAL (VARIABLE DEPTH)"



SHOULDER DETAIL

EXISTING

- (A) BITUMINOUS SHOULDER REMOVAL
- (B) BITUMINOUS SURFACE REMOVAL, 3-1/2"
- (C) P.C.C. PAVEMENT, 10"
- (D) SUB-BASE GRANULAR MATERIAL
- (E) BITUMINOUS SHOULDER
- (F) AGGREGATE SHOULDER
- (G) GUARDRAIL
- (H) BITUMINOUS SURFACE REMOVAL (VARIABLE DEPTH)

PROPOSED

- (1) POLYMERIZED BIT. CONC. SURF. CSE, STONE MATRIX ASPH., SUPERPAVE, N80, 1-3/4"
- (2) POLYMERIZED BIT. CONC. BIND. CSE, STONE MATRIX ASPH., SUPERPAVE, N80, 1-3/4"
- (3) BITUMINOUS BASE COURSE, SUPERPAVE, N90, 8"
- (4) BITUMINOUS BASE COURSE, SUPERPAVE, N70, 8"
- (5) P.C.C. CONCRETE BASE COURSE, 10-1/2"
- (6) CONCRETE BARRIER, DOUBLE FACE, 42" HEIGHT
- (7) AGGREGATE SUBGRADE, 12"
- (8) SUB-BASE GRANULAR MATERIAL, TYPE B, 6"
- (9) SHOULDER RUMBLE STRIP
- (10) BARRIER BASE
- (11) LONGITUDINAL CONSTRUCTION JOINT AND NO. 25 EPOXY COATED DEFORMED TIE BARS (DRILL AND GROUT)
- (12) AGGREGATE SHOULDERS, TYPE B 8"
- (13) CLASS D PATCHES, 10" (SEE NOTE 1)
- (14) BITUMINOUS BASE COURSE SUPERPAVE, N50, 2-1/2"
- (15) BITUMINOUS CONCRETE SURFACE COURSE, SUPERPAVE, MIX "D", N70, 1-3/4"
- (16) AGGREGATE SHOULDERS, TYPE B (SPECIAL)
- (17) POROUS GRANULAR EMBANKMENT, SUBGRADE 12"
- (18) GEOTECHNICAL FABRIC FOR GROUND STABILIZATION

REVISIONS	
NAME	DATE
D. MELNIK	07/28/06
D. MELNIK	08/01/06
R. HANKS	09/01/06

ILLINOIS DEPARTMENT OF TRANSPORTATION
FAI ROUTE 55
US 30 (PLAINFIELD ROAD) TO LILY CACHE SLOUGH

TYPICAL SECTIONS

SCALE: NONE
DATE: 07-21-06

DRAWN BY: DM
CHECKED BY: DVS

