

F.A.P. RTE.	SECTION	COUNTY	TOTAL SHEETS	SHEET NO.
55	2006-032 BY	WILL	505	4
STA.		TO STA.		
FED. ROAD DIST. NO.		ILLINOIS	FED. AID PROJECT	
		S00-01 OF 8		

CODE NO.	ITEM	UNIT	URBAN TOTAL QUANTITY 100% URBAN	CONSTRUCTION TYPE CODE																
				ROADWAY Sta. 573+00.00 to Sta. 789+00.00 I000-2A	US 30 Sta. 587+80.82 X231-2A	EJ&E SB Sta. 608+37.25 X171-5B	EJ&E NB Sta. 608+37.25 X171-5B	MINK Sta. 630+09.46 X020-2A	RENWICK Sta. 631+48.98 SFTY-2A	MS Sta. 710+34.50 X131-2A	LILLY CACHE Sta. 773+45.67 X020-2A	RTE 126 Sta. 781+12.54 SFTY-2A	LIGHTING Sta. 573+00.00 to Sta. 789+00.00 Y030-1E							
20101000	TEMPORARY FENCE	FOOT	470	470																
20200100	EARTH EXCAVATION	CU YD	19,780	19,780																
20201200	REMOVAL AND DISPOSAL OF UNSUITABLE MATERIAL	CU YD	9,560	8,985							10	565								
20400800	FURNISHED EXCAVATION	CU YD	2,410	2,410																
20600200	GRANULAR EMBANKMENT, SPECIAL	CU YD	10								10									
20700400	POROUS GRANULAR EMBANKMENT, SPECIAL	CU YD	925		145	75	40	45			55	565								
20700420	POROUS GRANULAR EMBANKMENT, SUBGRADE	CU YD	530	530																
20800150	TRENCH BACKFILL	CU YD	3,897	3,897																
21001000	GEOTECHNICAL FABRIC FOR GROUND STABILIZATION	SQ YD	1586	1586																
21101505	TOPSOIL EXCAVATION AND PLACEMENT	CU YD	1,540	1,540																
21101625	TOPSOIL FURNISH AND PLACE, 6"	SQ YD	17,486	17,486																
21101815	COMPOST FURNISH AND PLACE, 4"	SQ YD	11,480	11,480																
25000210	SEEDING, CLASS 2A	ACRE	9.25	9.25																
25000310	SEEDING, CLASS 4	ACRE	2.00	2.00																
25000314	SEEDING, CLASS 4B	ACRE	0.25	0.25																
25000400	NITROGEN FERTILIZER NUTRIENT	POUND	813	813																
25000500	PHOSPHORUS FERTILIZER NUTRIENT	POUND	813	813																
25000600	POTASSIUM FERTILIZER NUTRIENT	POUND	813	813																
25002024	SEEDING, CLASS 4B (MODIFIED)	ACRE	0.50	0.50																
25100115	MULCH, METHOD 2	ACRE	14.25	14.25																
25100630	EROSION CONTROL BLANKET	SQ YD	107,733	107,733																
28000250	TEMPORARY EROSION CONTROL SEEDING	POUND	1,412	1,412																
28000300	TEMPORARY DITCH CHECKS	EACH	20	20																
28000500	INLET AND PIPE PROTECTION	EACH	15	15																
28000510	INLET FILTERS	EACH	107	107																
28100105	STONE RIPRAP, CLASS A3	SQ YD	292	292																
28100107	STONE RIPRAP, CLASS A4	SQ YD	440	25					15		270	130								
28200200	FILTER FABRIC	SQ YD	579	145					15		289	130								
31101400	SUB-BASE GRANULAR MATERIAL, TYPE B 6"	SQ YD	8,177	8,177																
35300510	PORTLAND CEMENT CONCRETE BASE COURSE 10 1/2"	SQ YD	3,333	3,333																
40600100	BITUMINUS MATERIALS (PRIME COAT)	GALLON	41,167	41,167																
40600400	MIXTURE FOR CRACKS, JOINTS, AND FLANGEWAYS	TON	19.4	19.4																
40600895	CONSTRUCTING TEST STRIP	EACH	3	3																
40600980	BITUMINUS SURFACE REMOVAL - BUTT JOINT	SQ YD	1,328	1,328																
40601000	BITUMINUS REPLACEMENT OVER PATCHES	TON	827	827																

△

Rev. 9-5-06



REVISIONS	
NAME	DATE
S. VERTHEIN	08/01/06

ILLINOIS DEPARTMENT OF TRANSPORTATION
 FAI ROUTE 55
 US 30 (PLAINFIELD ROAD) TO LILLY CACHE SLOUGH

SUMMARY OF QUANTITIES

SCALE: NONE
 DATE: 07-21-06

DRAWN BY AR
 CHECKED BY SV

FINAL

F.A.P. RTE.	SECTION	COUNTY	TOTAL SHEETS	SHEET NO.
55	2006-032 BY	WILL	505	8
STA.		TO STA.		
FED. ROAD DIST. NO.	ILLINOIS	FED. AID PROJECT		
		S00-05 OF 8		

CODE NO.	ITEM	UNIT	URBAN TOTAL QUANTITY 100% STATE	CONSTRUCTION TYPE CODE											
				ROADWAY Sta. 573+00.00 to Sta. 789+00.00 1000-2A	US 30 Sta. 587+80.82 X231-2A	EJ&E SB Sta. 608+37.25 X171-5B	EJ&E NB Sta. 608+37.25 X171-5B	MINK Sta. 630+09.46 X020-2A	RENWICK Sta. 631+48.98 SFTY-2A	MS Sta. 710+34.50 X131-2A	LILLY CACHE Sta. 773+45.67 X020-2A	RTE 126 Sta. 781+12.54 SFTY-2A	LIGHTING Sta. 573+00.00 to Sta. 789+00.00 Y030-1E		
60221100	MANHOLES, TYPE A, 5'-DIAMETER, TYPE 1 FRAME, CLOSED LID	EACH	2	2											
60223800	MANHOLES, TYPE A, 6'-DIAMETER, TYPE 1 FRAME, CLOSED LID	EACH	1	1											
60224035	MANHOLES, TYPE A, 6' - DIAMETER, TYPE 20 FRAME AND GRATE	EACH	1	1											
60224460	MANHOLES, TYPE A, 7'-DIAMETER, TYPE 24 FRAME AND GRATE	EACH	1	1											
60255800	MANHOLES TO BE ADJUSTED WITH NEW TYPE 1 FRAME, CLOSED LID	EACH	1	1											
60300105	FRAMES AND GRATES TO BE ADJUSTED	EACH	102	102											
60500040	REMOVING MANHOLES	EACH	2	2											
60600605	CONCRETE CURB, TYPE B	FOOT	120	120											
60900315	TYPE D INLET BOX, STANDARD 609006	EACH	2	2											
* 63000000	STEEL PLATE BEAM GUARD RAIL, TYPE A	FOOT	2,850.0	2,850.0											
* 63000015	STEEL PLATE BEAM GUARD RAIL, TYPE D	FOOT	300.0	300.0											
* 63100045	TRAFFIC BARRIER TERMINAL, TYPE 2	EACH	5	5											
* 63100070	TRAFFIC BARRIER TERMINAL, TYPE 5	EACH	4	4											
* 63100085	TRAFFIC BARRIER TERMINAL, TYPE 6	EACH	5	5											
* 63100167	TRAFFIC BARRIER TERMINAL TYPE 1, SPECIAL (TANGENT)	EACH	3	3											
63200310	GUARDRAIL REMOVAL	FOOT	13,970	13,970											
* 63304700	TRAFFIC BARRIER TERMINAL REMOVAL, TYPE 5	EACH	1	1											
* 63304805	TRAFFIC BARRIER TERMINAL REMOVAL, TYPE 6	EACH	2	2											
63700805	CONCRETE BARRIER TRANSITION	FOOT	98	98											
64200105	SHOULDER RUMBLE STRIP	FOOT	17,907	17,907											
67000600	ENGINEER'S FIELD LABORATORY	CALMO	12	12											
67100100	MOBILTIZATION	L SUM	1	1											
70102630	TRAFFIC CONTROL AND PROTECTION, STANDARD 701601	L SUM	1	1											
70300240	TEMPORARY PAVEMENT MARKING - LINE 6"	FOOT	439	439											
70300520	PAVEMENT MARKING TAPE, TYPE III 4"	FOOT	189,692	189,692											
70300530	PAVEMENT MARKING TAPE, TYPE III 5"	FOOT	25,192	25,192											
70300550	PAVEMENT MARKING TAPE, TYPE III 8"	FOOT	11,166	11,166											
70300560	PAVEMENT MARKING TAPE, TYPE III 12"	FOOT	1,000	1,000											
70301000	WORK ZONE PAVEMENT MARKING REMOVAL	SQ FT	73,736	73,736											
70400100	TEMPORARY CONCRETE BARRIER	FOOT	23,829	23,829											
70400200	RELOCATE TEMPORARY CONCRETE BARRIER	FOOT	27,954	27,954											
* 72000100	SIGN PANEL - TYPE 1	SQ FT	3	3											
* 72000200	SIGN PANEL - TYPE 2	SQ FT	36	36											
* 72000300	SIGN PANEL - TYPE 3	SQ FT	75	75											
* 72400100	REMOVE SIGN PANEL ASSEMBLY - TYPE A	EACH	3	3											

* SPECIALTY ITEMS

Rev. 9-5-06



REVISIONS	
NAME	DATE
S. VERTHEIN	08/01/06

ILLINOIS DEPARTMENT OF TRANSPORTATION
FAI ROUTE 55
US 30 (PLAINFIELD ROAD) TO LILLY CACHE SLOUGH

SUMMARY OF QUANTITIES

SCALE: NONE
DATE: 07-21-06

DRAWN BY AR
CHECKED BY SJV

FINAL

F.A.P. RTE.	SECTION	COUNTY	TOTAL SHEETS	SHEET NO.
55	2006-032 BY	WILL	805	11
STA.		TO STA.		
FED. ROAD DIST. NO.		ILLINOIS	FED. AID PROJECT	
		S00-08 OF 8		

CODE NO.	ITEM	UNIT	URBAN STATE TOTAL QUANTITY	CONSTRUCTION TYPE CODE												
				ROADWAY Sta. 573+00.00 to Sta. 789+00.00 1000-2A	US 30 Sta. 587+80.82 X231-2A	EJ&E SB Sta. 608+37.25 X171-5B	EJ&E NB Sta. 608+37.25 X171-5B	MINK Sta. 630+09.46 X020-2A	RENWICK Sta. 631+48.98 SFTY-2A	MS Sta. 710+34.50 X131-2A	LILLY CACHE Sta. 773+45.67 X020-2A	RTE 126 Sta. 781+12.54 SFTY-2A	LIGHTING Sta. 573+00.00 to Sta. 789+00.00 Y030-1E			
X6050700	REMOVE INLET BOX	EACH	8	8												
X6370905	BARRIER BASE	FOOT	11,700	11,700												
X6370940	CONCRETE BARRIER, DOUBLE FACE, 42 INCH HEIGHT	FOOT	11,518	11,518												
X6700410	ENGINEER'S FIELD OFFICE, TYPE A (SPECIAL)	CAL MO	12	12												
X7011015	TRAFFIC CONTROL AND PROTECTION (EXPRESSWAYS)	L SUM	1	1												
X7013820	TRAFFIC CONTROL SURVEILLANCE, EXPRESSWAYS	CAL DA	274	274												
X7015000	CHANGEABLE MESSAGE SIGN	CAL MO	7	7												
* X8160370	UNIT DUCT, WITH 3-1/C NO. 4 AND 1/C NO. 6 GROUND, 600V (EPR-TYPE RHW), 1 1/4" DIA., POLYETHYLENE	FOOT	410													410
Z0001050	AGGREGATE SUBGRADE 12"	SQ YD	61,315	61,315												
Z0002600	BAR SPLICERS	EACH	3,020		1,406	1,192	190			232						
Z0013798	CONSTRUCTION LAYOUT	L SUM	1	1												
Z0018500	DRAINAGE STRUCTURES TO BE CLEANED	EACH	1	1												
△ Z0030030	IMPACT ATTENUATORS (FULLY REDIRECTIVE NARROW), TEST LEVEL 3	EACH	4	4												
△ Z0030250	IMPACT ATTENUATORS, TEMPORARY (NON- REDIRECTIVE), TEST LEVEL 3	EACH	12	12												
△ Z0030260	IMPACT ATTENUATORS, TEMPORARY (FULLY REDIRECTIVE, NARROW), TEST LEVEL 3	EACH	10	10												
△ Z0030330	IMPACT ATTENUATORS, RELOCATE (FULLY REDIRECTIVE), TEST LEVEL 3	EACH	10	10												
△ Z0030350	IMPACT ATTENUATORS, RELOCATE (NON-REDIRECTIVE), TEST LEVEL 3	EACH	13	13												
Z0047300	PROTECTIVE SHIELD	SQ YD	1,597		998	470	129									
Z0076600	TRAINEES	HR	1,000	1,000												
X0325561	CULVERTS TO BE GROUTED	CU YD	26	26												
X8110145	CONDUIT ATTACHED TO STRUCTURE, 1" DIA, RIGID GALVANIZED STEEL PVC COATED	FOOT	320													320
X0325305	STRUCTURAL REPAIR OF CONCRETE (DEPTH EQUAL TO OR LESS THAN 5")	SQ FT	390		20	73	18	10	91				178			
X0325303	STRUCTURAL REPAIR OF CONCRETE (DEPTH GREATER THAN 5")	SQ FT	5		5											
△ X0325562	BITUMINOUS BASE COURSE SUPERPAVE, N50, 2 1/2"	SQ YD	49,877	49,877												
X0325563	BITUMINOUS BASE COURSE, SUPERPAVE, N70, 8"	SO YD	4,861	4,861												
X0325564	BITUMINOUS BASE COURSE, SUPERPAVE, N90, 8"	SQ YD	49,877	49,877												
X0325565	BITUMINOUS BASE COURSE, SUPERPAVE, N90, 10 1/4"	SQ YD	9,791	9,791												

△ SFTY-3N
* SPECIALTY ITEMS

REVISIONS	
NAME	DATE
S. VERTHEIN	08/01/06

ILLINOIS DEPARTMENT OF TRANSPORTATION
FAI ROUTE 55
US 30 (PLAINFIELD ROAD) TO LILY CACHE SLOUGH

SUMMARY OF QUANTITIES

SCALE: 1" = 50'
DATE: 07-21-06

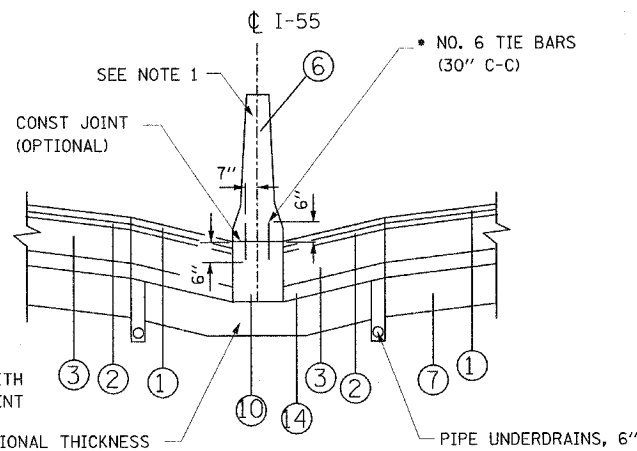
DRAWN BY
CHECKED BY



Rev. 9-5-06

FINAL

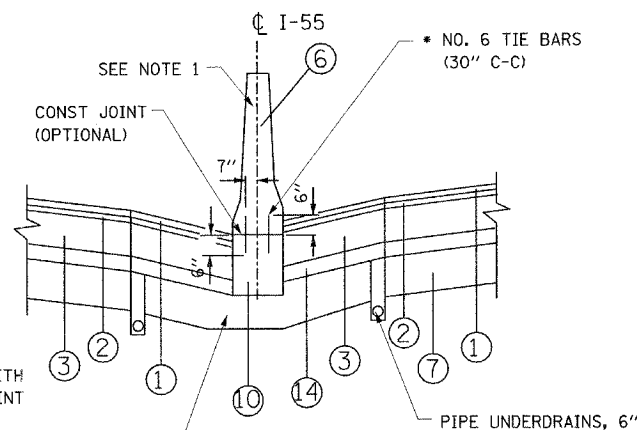
F.A.P. RTE.	SECTION	COUNTY	TOTAL SHEETS	SHEET NO.
55	2006-032 BY	WILL	505	16
STA.		TO STA.		
FED. ROAD DIST. NO.		ILLINOIS FED. AID PROJECT		
		TYP 05 OF 06		



• ONLY REQUIRED WITH OPTIONAL CONST JOINT

COST OF ADDITIONAL THICKNESS OF AGG SUBGRADE TO BE INCLUDED IN CONTRACT UNIT COST FOR AGG SUBGRADE, 12"

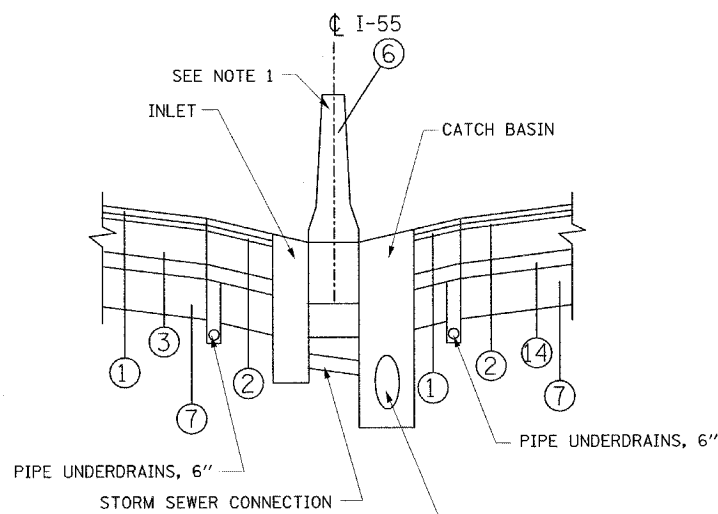
MEDIAN DETAIL A
TYPICAL CONCRETE BARRIER



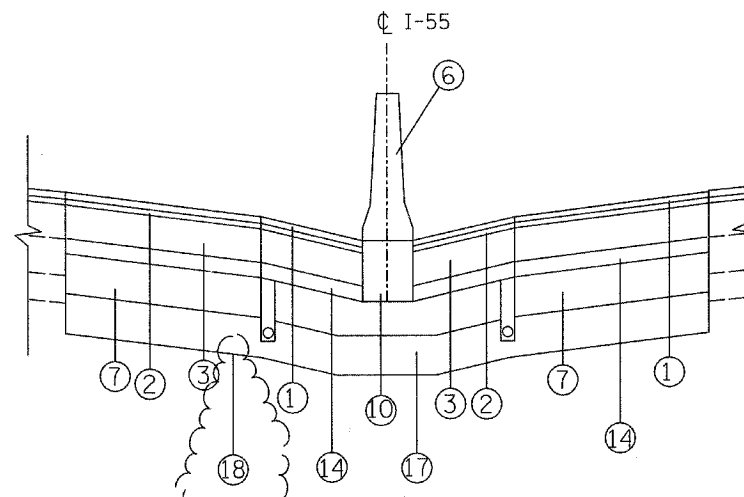
• ONLY REQUIRED WITH OPTIONAL CONST JOINT

COST OF ADDITIONAL THICKNESS OF AGG SUBGRADE TO BE INCLUDED IN CONTRACT UNIT COST FOR AGG SUBGRADE, 12"

MEDIAN DETAIL B
TYPICAL CONCRETE BARRIER (VARIABLE HEIGHT)

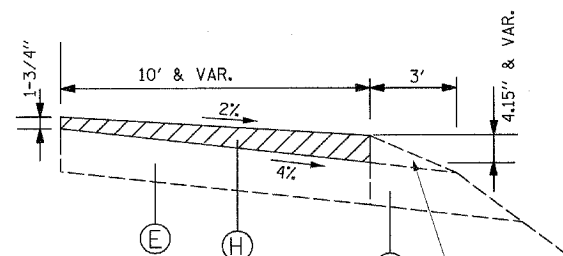


MEDIAN DETAIL C
TYPICAL CONCRETE BARRIER W/ INLET AND CATCH BASIN



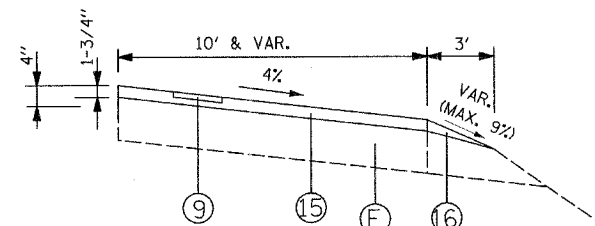
MEDIAN DETAIL D
MEDIAN DETAIL WITH PROPOSED UNDERCUT
STA. 628+50 TO STA. 629+70
STA. 785+50 TO STA. 788+25

"POROUS GRANULAR EMBANKMENT, SUBGRADE" AND "GEOTECHNICAL FABRIC FOR GROUND STABILIZATION" ARE TO BE CONSTRUCTED BENEATH THE AGGREGATE SUBGRADE WHERE COHESIVE SOILS WITH HIGH MOISTURE CONTENTS EXIST. THE LIMITS LISTED DELINEATES THE LOCATIONS WHERE SUCH SOILS ARE ANTICIPATED. THE ACTUAL LOCATIONS SHALL BE DETERMINED BY THE ENGINEER.



SHOULDER MILLING DETAIL

REMOVE EXIST AGGREGATE SHLDR THE COST OF THIS WORK SHALL BE INCLUDED IN THE CONTRACT UNIT PRICE FOR "BITUMINOUS SURFACE REMOVAL (VARIABLE DEPTH)"



SHOULDER DETAIL

EXISTING

- (A) BITUMINOUS SHOULDER REMOVAL
- (B) BITUMINOUS SURFACE REMOVAL, 3-1/2"
- (C) P.C.C. PAVEMENT, 10"
- (D) SUB-BASE GRANULAR MATERIAL
- (E) BITUMINOUS SHOULDER
- (F) AGGREGATE SHOULDER
- (G) GUARDRAIL
- (H) BITUMINOUS SURFACE REMOVAL (VARIABLE DEPTH)

PROPOSED

- (1) POLYMERIZED BIT. CONC. SURF. CSE, STONE MATRIX ASPH., SUPERPAVE, N80, 1-3/4"
- (2) POLYMERIZED BIT. CONC. BIND. CSE, STONE MATRIX ASPH., SUPERPAVE, N80, 1-3/4"
- (3) BITUMINOUS BASE COURSE, SUPERPAVE, N90, 8"
- (4) BITUMINOUS BASE COURSE, SUPERPAVE, N70, 8"
- (5) P.C.C. CONCRETE BASE COURSE, 10-1/2"
- (6) CONCRETE BARRIER, DOUBLE FACE, 42" HEIGHT
- (7) AGGREGATE SUBGRADE, 12"
- (8) SUB-BASE GRANULAR MATERIAL, TYPE B, 6"
- (9) SHOULDER RUMBLE STRIP
- (10) BARRIER BASE
- (11) LONGITUDINAL CONSTRUCTION JOINT AND NO. 25 EPOXY COATED DEFORMED TIE BARS (DRILL AND GROUT)
- (12) AGGREGATE SHOULDERS, TYPE B 8"
- (13) CLASS D PATCHES, 10" (SEE NOTE 1)
- (14) BITUMINOUS BASE COURSE SUPERPAVE, N50, 2-1/2"
- (15) BITUMINOUS CONCRETE SURFACE COURSE, SUPERPAVE, MIX "D", N70, 1-3/4"
- (16) AGGREGATE SHOULDERS, TYPE B (SPECIAL)
- (17) POROUS GRANULAR EMBANKMENT, SUBGRADE 12"
- (18) GEOTECHNICAL FABRIC FOR GROUND STABILIZATION

REVISIONS	
NAME	DATE
D. MELNIK	07/28/06
D. MELNIK	08/01/06
R. HANKS	09/01/06

ILLINOIS DEPARTMENT OF TRANSPORTATION
FAI ROUTE 55
US 30 (PLAINFIELD ROAD) TO LILY CACHE SLOUGH

TYPICAL SECTIONS

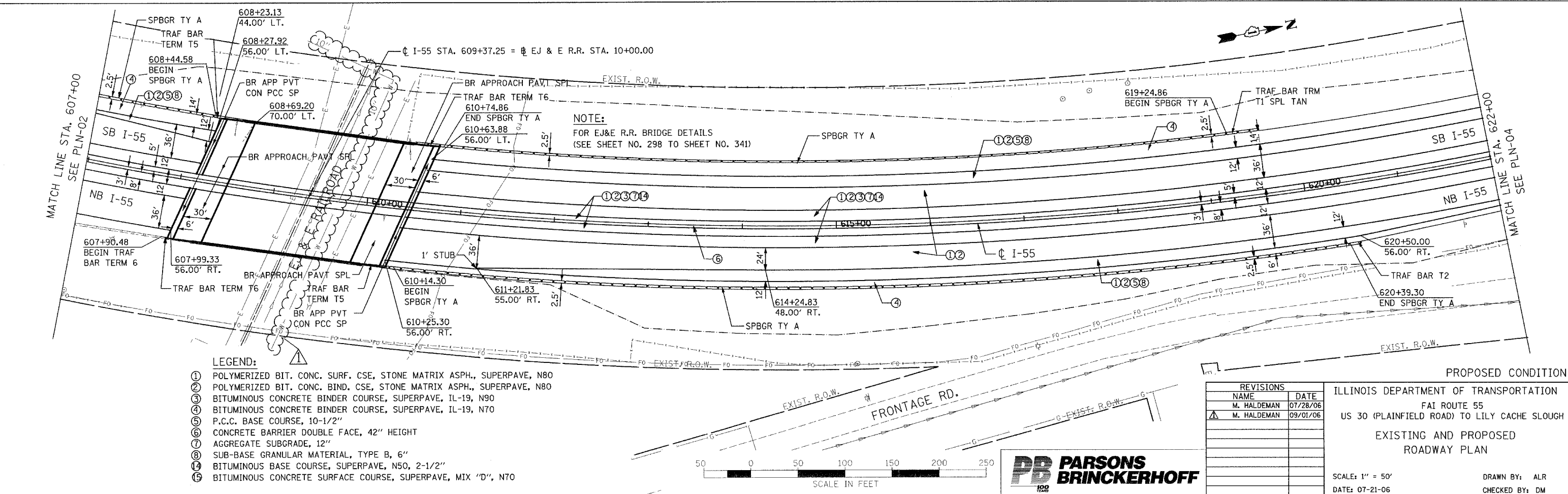
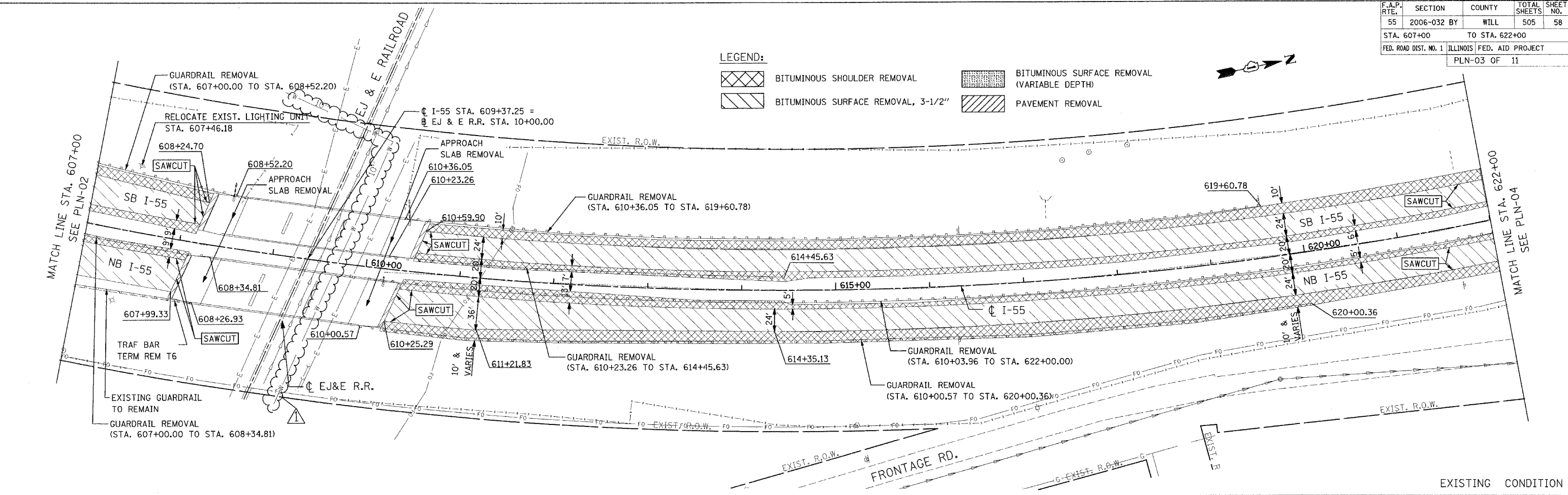
SCALE: NONE
DATE: 07-21-06

DRAWN BY: DM
CHECKED BY: DVS



FINAL

F.A.P. RTE.	SECTION	COUNTY	TOTAL SHEETS	SHEET NO.
55	2006-032 BY	WILL	505	58
STA. 607+00		TO STA. 622+00		
FED. ROAD DIST. NO. 1		ILLINOIS FED. AID PROJECT		
PLN-03 OF 11				



REVISIONS	
NAME	DATE
M. HALDEMAN	07/28/06
M. HALDEMAN	09/01/06

ILLINOIS DEPARTMENT OF TRANSPORTATION
 FAI ROUTE 55
 US 30 (PLAINFIELD ROAD) TO LILY CACHE SLOUGH
 EXISTING AND PROPOSED
 ROADWAY PLAN
 SCALE: 1" = 50'
 DATE: 07-21-06
 DRAWN BY: ALR
 CHECKED BY: DM

