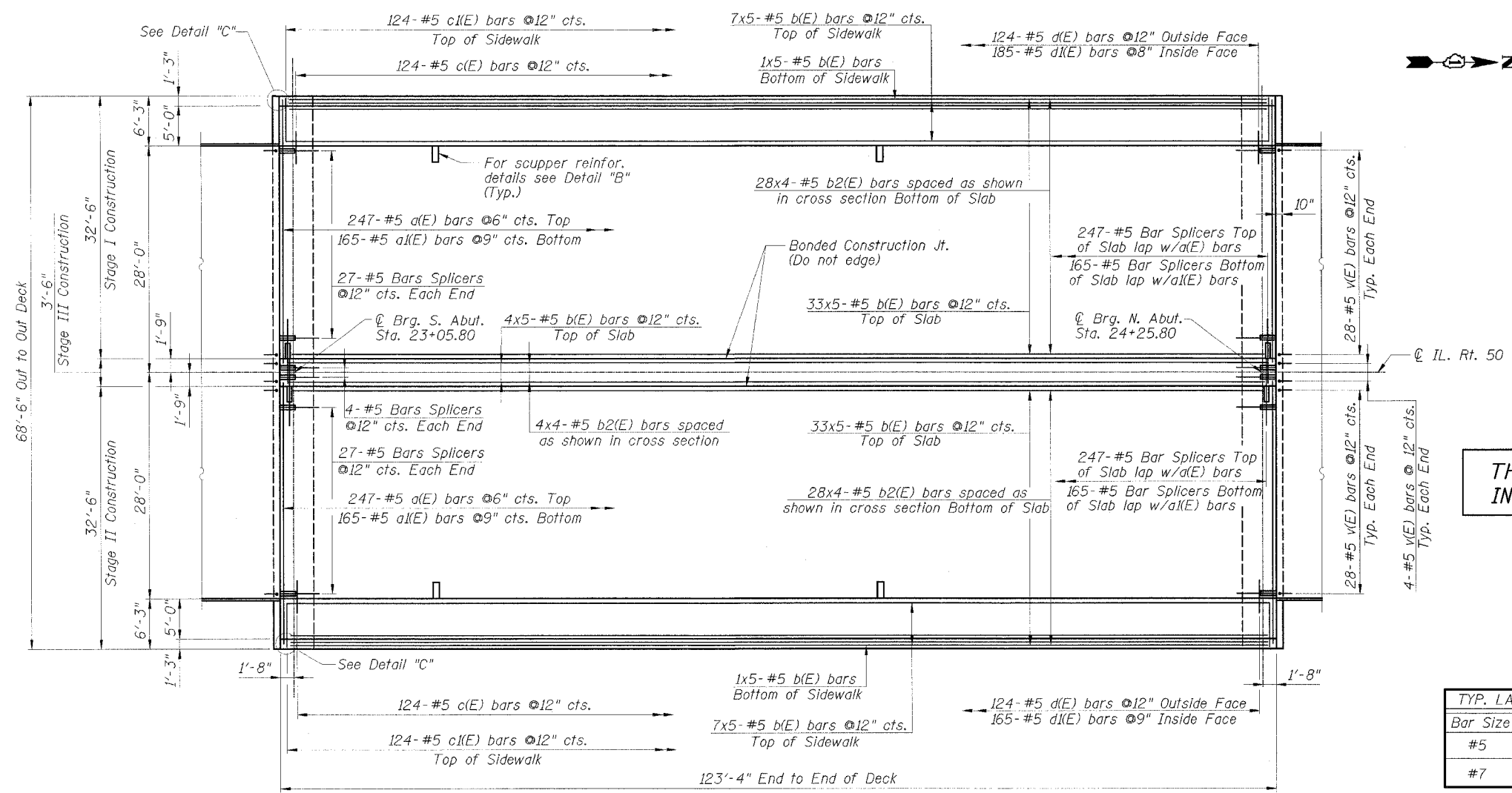
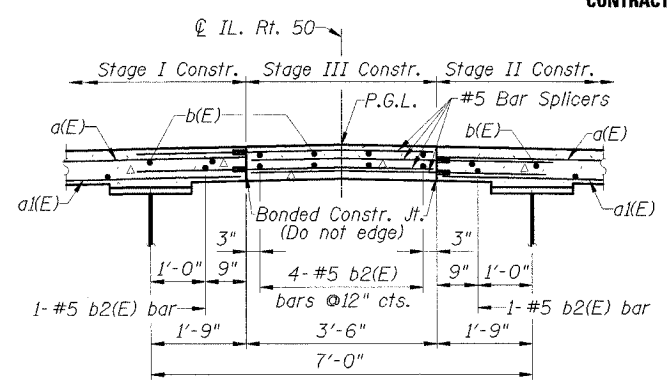


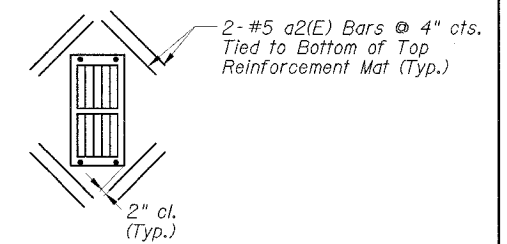
F.A.P. RTE.	SECTION	COUNTY	TOTAL SHEETS	SHEET NO.
350	57B-3F	COOK	12	9
FED. ROAD DIST. NO. 7		ILLINOIS FED. AID PROJECT		CONTRACT NO. 60B87



DECK PLAN



DETAIL "A"

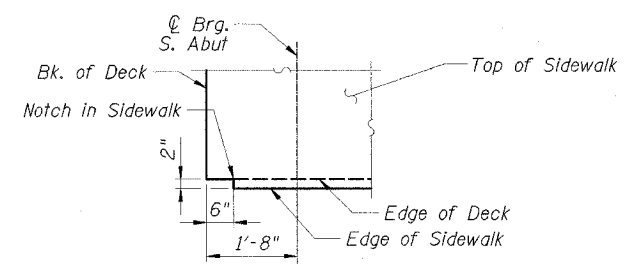


DETAIL "B"

Cut longitudinal reinforcement to clear drainage scuppers.

THIS SHEET IS FOR INFORMATION ONLY

TYP. LAP SPLICE	
Bar Size	Min. Lap
#5	2'-2"
#7	4'-10"

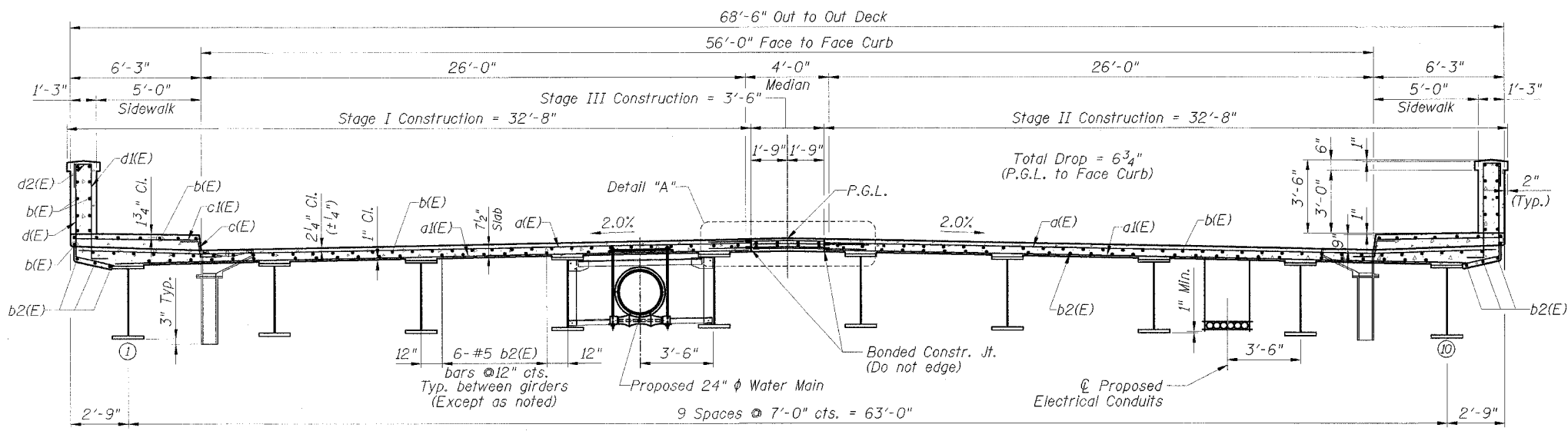


DETAIL "C"

(East edge shown)
(West edge similar)

Notes:

1. Reinforcement bars designated (E) shall be epoxy coated.
2. Bars indicated thus 20 x 3 - #5 etc. indicates 20 lines of bars with 3 lengths per line.
3. See Sheet S1 for Scupper Spacing.
4. See Sheet S7 for Parapet Details and Bill of Material.
5. See Sheet S14 for Bar Splicer Details.
6. See Sheet S16 for Scupper Details.
7. See Sheet S17 for Water Main Details.



CROSS SECTION
(Looking North)



REVISIONS	
NAME	DATE

ILLINOIS DEPARTMENT OF TRANSPORTATION
DECK PLAN & DETAILS
FAP 350 IL ROUTE 50 (CICERO AVE.) OVER
NORTH BRANCH OF THE CHICAGO RIVER
COOK COUNTY STATION 23+65.80
SECTION 57B-3F
STRUCTURE NO. 016-2782

SCALE: NONE
DATE: 6/29/06
DRAWN BY: G. Hatlestad
CHECKED BY: P. Lopez