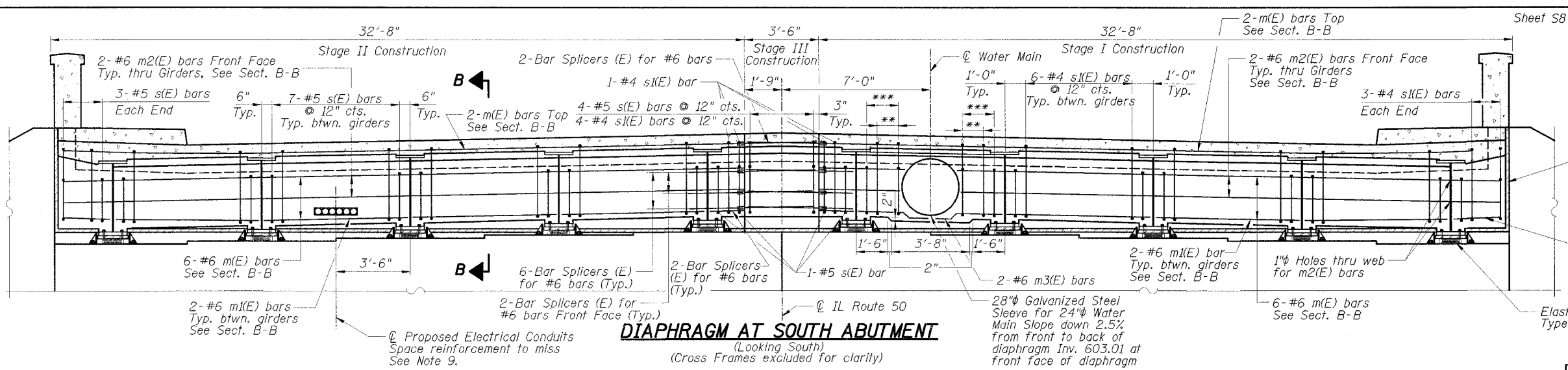


F.A.P. RTE.	SECTION	COUNTY	TOTAL SHEETS	SHEET NO.
350	57B-3F	COOK	12	10
FED. ROAD DIST. NO. 7 ILLINOIS FED. AID PROJECT				

CONTRACT NO. 60B87

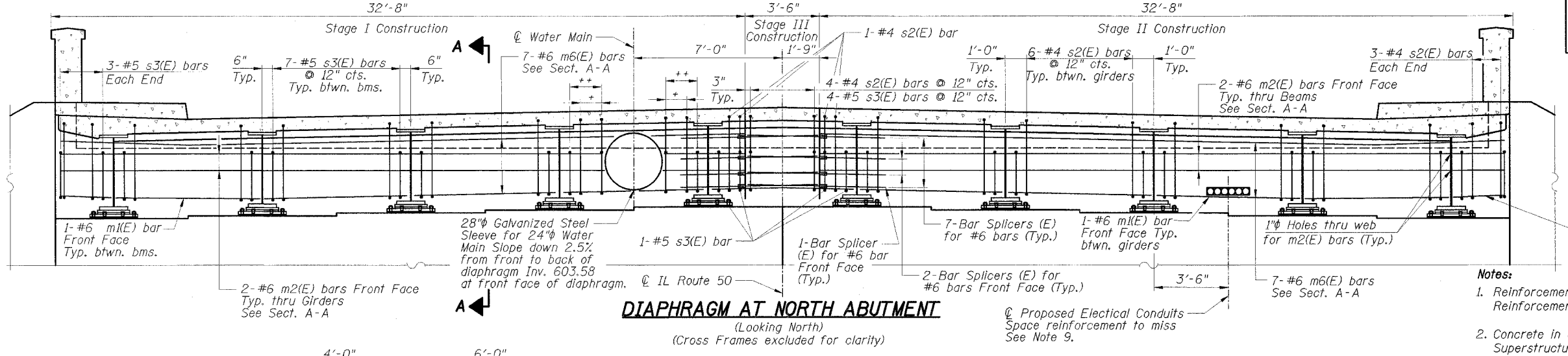
Sheet S8 of S10



DIAPHRAGM AT SOUTH ABUTMENT
(Looking South)
(Cross Frames excluded for clarity)

THIS SHEET IS FOR INFORMATION ONLY

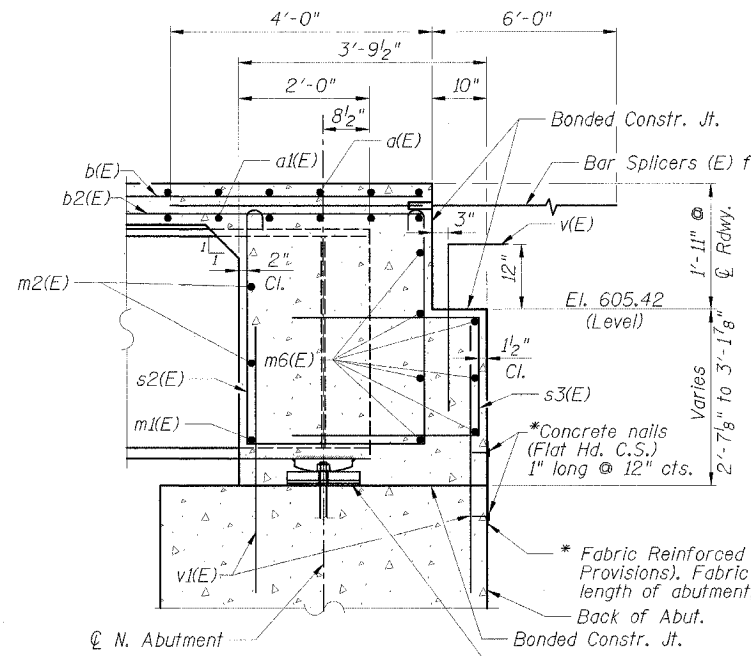
** 2-#4 s(E) bars @ 12" cts.
*** 3-#5 s(E) bars @ 9" cts.



DIAPHRAGM AT NORTH ABUTMENT
(Looking North)
(Cross Frames excluded for clarity)

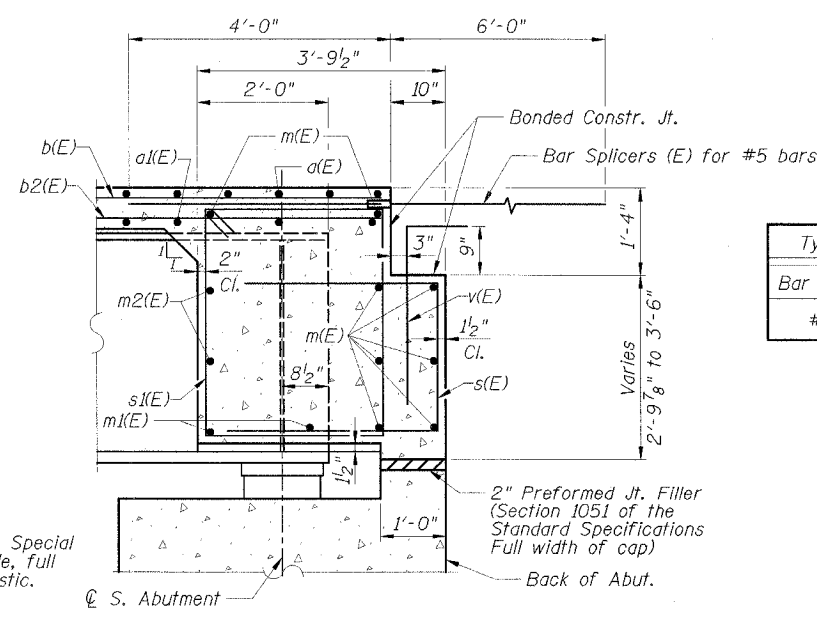
* 2-#4 s2(E) bars @ 12" cts.
** 3-#5 s3(E) bars @ 9" cts.

- Notes:**
1. Reinforcement bars in diaphragm are included with Reinforcement Bars, Epoxy Coated, on Sheet S7 of S21.
 2. Concrete in diaphragm is included with Concrete Superstructure on Sheet S7 of S21.
 3. For details of bars m3(E), s(E), s1(E), s2(E), and s3(E) see Sheet S7 of S21.
 4. The s(E), s1(E), s2(E), and s3(E) bars shall be placed parallel to the girders. Spacing for these bars shall be at right angles to the girders.
 5. For anchor bolt details see Sheet S13 of S21.
 6. For bar splicer details see Sheet S14 of S21.
 7. For spacing of v(E) and approach slab bar splicers see Sheet S6 of S21.
 8. For water main details see Sheet S17 of S21.
 9. Vertical location of proposed electrical conduits to be determined in field at time of construction.
 10. For Cross Frame details see Sheet S10 of S21.
 11. For bearing details see Sheet S10 of S21.



SECTION A-A
(At North Abutment)

*Cost included with Concrete Structures



SECTION B-B
(At South Abutment)

- Notes:**
1. See Sheet S2 of S21 for additional abutment details not shown.

Typ. Lap Splice	
Bar Size	Min. Lap
#6	3'-7"

REVISIONS	
NAME	DATE

ILLINOIS DEPARTMENT OF TRANSPORTATION
DIAPHRAGM DETAILS
FAP 350 IL ROUTE 50 (CICERO AVE.) OVER
NORTH BRANCH OF THE CHICAGO RIVER
COOK COUNTY STATION 23+65.80
SECTION 57B-3F
STRUCTURE NO. 016-2782

SCALE: NONE DRAWN BY: G. Hatlestad
DATE: 6/29/06 CHECKED BY: P. Lopez

