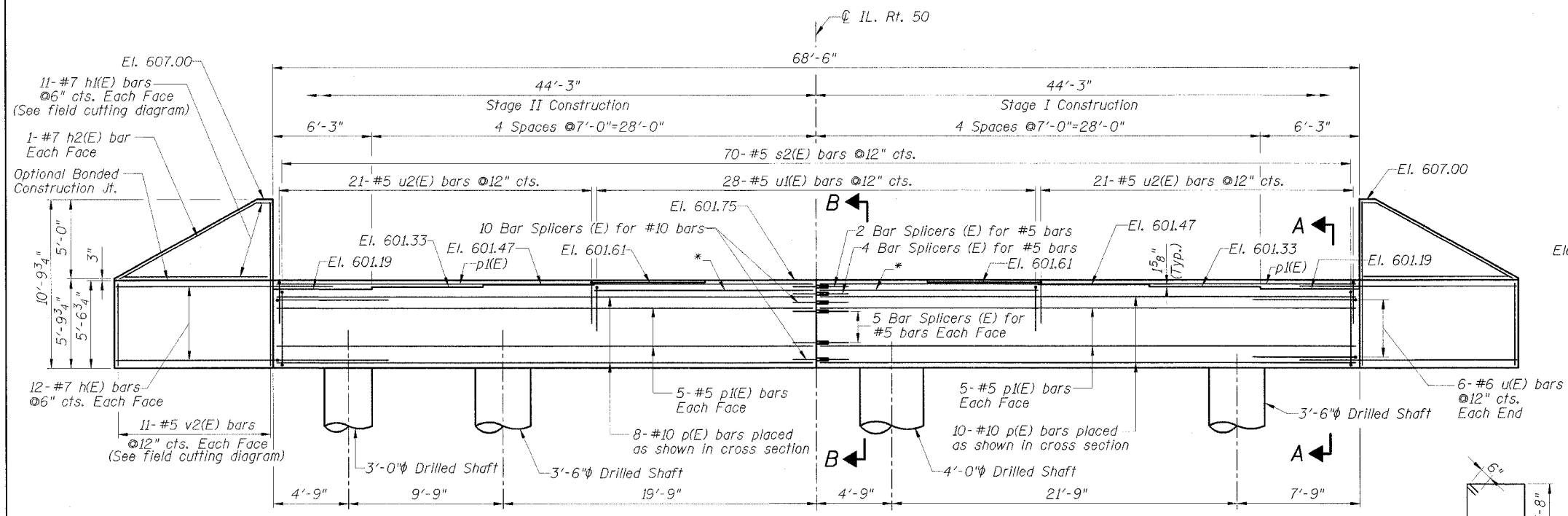
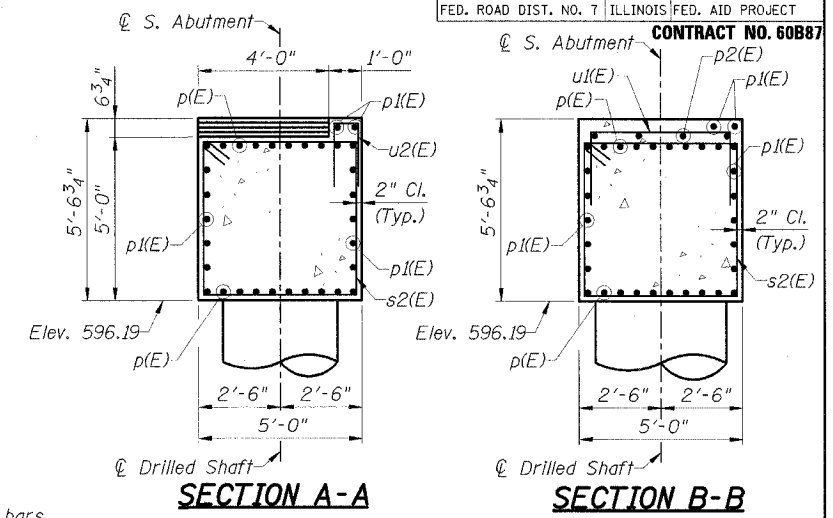


F.A.P. RTE.	SECTION	COUNTY	TOTAL SHEETS	SHEET NO.
350	57B-3F	COOK	12	12
FED. ROAD DIST. NO. 7		ILLINOIS FED. AID PROJECT		CONTRACT NO. 60B87



SOUTH ABUTMENT ELEVATION
(Looking South)

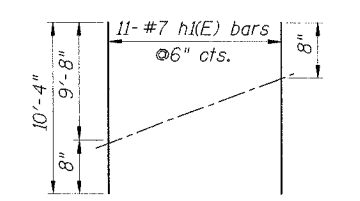
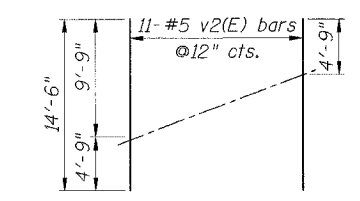
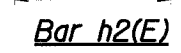
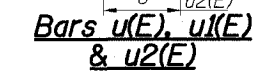
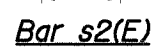


SECTION A-A

SECTION B-B

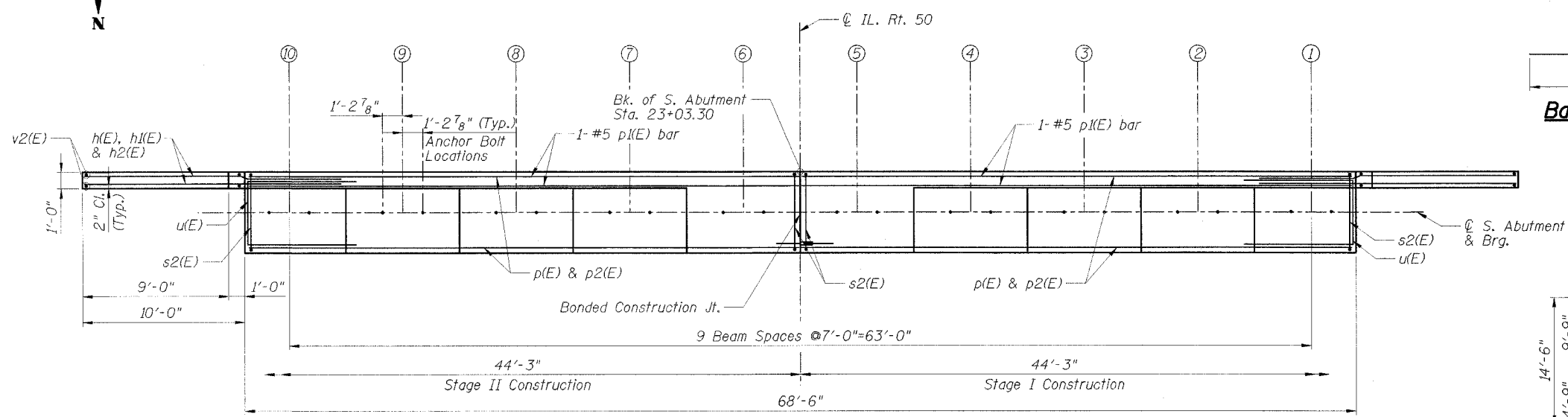
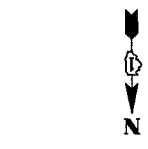
BILL OF MATERIAL

Bar	No.	Size	Length	Shape
h(E)	48	#7	12'-8"	—
h1(E)	22	#7	10'-4"	—
h2(E)	4	#7	10'-8"	—
p(E)	40	#10	33'-11"	—
p1(E)	24	#5	33'-11"	—
p2(E)	8	#5	13'-8"	—
s2(E)	70	#5	19'-8"	□
u(E)	12	#6	8'-8"	□
u1(E)	28	#5	6'-10"	□
u2(E)	42	#5	4'-0"	□
v2(E)	22	#5	14'-6"	—
Structure Excavation		Cu. Yd.	321.1	
Concrete Structures		Cu. Yd.	73.9	
Reinforcement Bars, Epoxy Coated		Lbs.	10,890	
Bar Splicers		Each	36	
Porous Granular Embankment		Cu. Yd.	198.1	



FIELD CUTTING DIAGRAM

FIELD CUTTING DIAGRAM



PLAN

- Notes:**
1. For Anchor Bolt details see Sheet S13.
 2. For Drilled Shaft details see Sheet S3.
 3. Reinforcement bars designated (E) shall be epoxy coated.
 4. Space reinforcement to miss anchor bolts.
 5. Cast steps monolithically with abutment.
 6. For PGE and Filter Fabric details see Sheet S2.
 7. For Bar Splicer details see Sheet S14.

THIS SHEET IS FOR INFORMATION ONLY

REVISIONS	
NAME	DATE

ILLINOIS DEPARTMENT OF TRANSPORTATION
SOUTH ABUTMENT
FAP 350 IL ROUTE 50 (CICERO AVE.) OVER
NORTH BRANCH OF THE CHICAGO RIVER
COOK COUNTY STATION 23+65.80
SECTION 57B-3F
STRUCTURE NO. 016-2782

SCALE: NONE
DATE: 6/29/06
DRAWN BY: G. Hatlestad
CHECKED BY: P. Lopez

