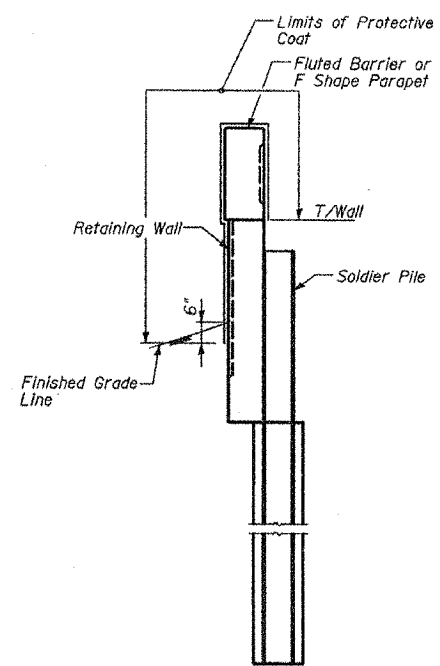
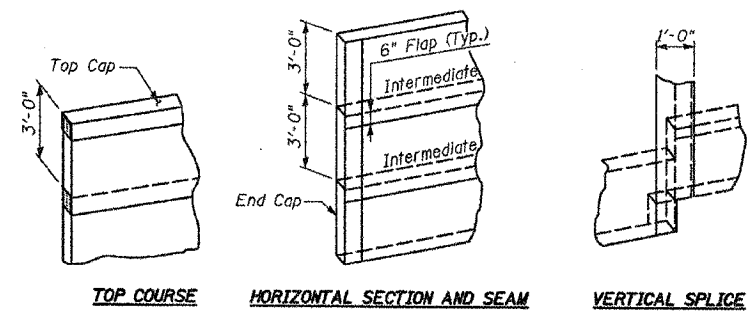


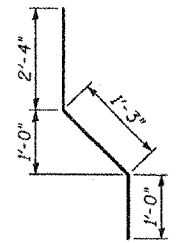
F.A.I.	SECTION	COUNTY	TOTAL SHEETS	SHEET NO.
94/90	*	COOK	565	410
STA.	TO STA.			
FED. ROAD DIST. NO.	ILLINOIS	FED. AID PROJECT		
62301	*2021-922 PT2 ETC 2324.6-1P1 R-10			



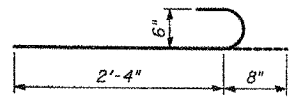
DETAIL OF LIMITS OF PROTECTIVE COAT



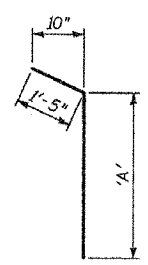
GEOCOMPOSITE WALL DRAIN DETAILS



BAR d2(E)

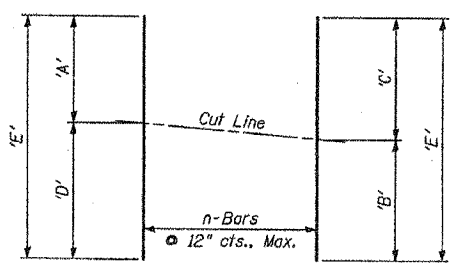


BAR d1(E)



BARS v1, v9(E) & v11(E)

Bar	'A'
v1(E)	4'-0"
v9(E)	5'-0"
v11(E)	5'-1"



*** BAR CUTTING DIAGRAM**

* Order bars v3(E) thru v8(E) and v14(E) thru v18(E) full length, cut as shown and use remainder where indicated.

TABLE OF DIMENSIONS

Bar	'A'	'B'	'C'	'D'	'E'	n
v3(E)	5'-5"	5'-7"	5'-7"	5'-9"	11'-2"	12
v4(E)	3'-8"	3'-10"	3'-10"	4'-0"	7'-8"	12
v5(E)	5'-9"	5'-11"	5'-11"	6'-1"	11'-10"	12
v6(E)	4'-0"	4'-2"	4'-2"	4'-4"	8'-4"	12
v7(E)	6'-1"	6'-2"	6'-3"	6'-4"	12'-5"	12
v8(E)	4'-4"	4'-5"	4'-6"	4'-7"	8'-11"	12
v14(E)	4'-9"	4'-8"	4'-7"	4'-6"	9'-3"	12
v15(E)	7'-4"	7'-2"	7'-1"	6'-11"	14'-3"	12
v16(E)	4'-6"	4'-4"	4'-3"	4'-1"	8'-7"	12
v17(E)	6'-11"	6'-9"	6'-8"	6'-6"	13'-5"	12
v18(E)	4'-1"	3'-11"	3'-10"	3'-8"	7'-9"	12

BILL OF MATERIAL

Bar	No.	Size	Length	Shape
d1(E)	212	#6	3'-0"	
d2(E)	325	#5	4'-7"	
d3(E)	12	#6	5'-5"	
e1(E)	40	#5	23'-8"	
e2(E)	64	#5	26'-2"	
h1(E)	54	#5	23'-8"	
h2(E)	84	#5	26'-2"	
v1(E)	75	#6	5'-5"	
v2(E)	125	#5	3'-8"	
v3(E)	12	#6	11'-2"	
v4(E)	12	#5	7'-8"	
v5(E)	12	#6	11'-10"	
v6(E)	12	#5	8'-4"	
v7(E)	12	#6	12'-5"	
v8(E)	12	#5	8'-11"	
v9(E)	37	#6	6'-5"	
v10(E)	25	#5	4'-8"	
v11(E)	25	#6	6'-6"	
v12(E)	25	#5	4'-9"	
v13(E)	12	#6	4'-6"	
v14(E)	12	#5	9'-3"	
v15(E)	12	#6	14'-3"	
v16(E)	12	#5	8'-7"	
v17(E)	12	#6	13'-5"	
v18(E)	12	#5	7'-9"	
v19(E)	50	#6	6'-6"	
Reinforcement Bars, Epoxy Coated		Pound	13,220	
Concrete Structures		Cu. Yd.	55.2	
Concrete Superstructure		Cu. Yd.	31.7	
Chain Link Fence, 42" Attached to Structure (Special)		Foot	95	
Rustication Finish		Sq. Ft.	1129	
Protective Coat		Sq. Yd.	168	

BOWMAN, BARRETT & ASSOCIATES INC.
CONSULTING ENGINEERS
Chicago, Illinois
312.228.0100
www.bb&ainc.com

REVISIONS	
NAME	DATE
REVISED	6/21/06

SHEET 5 OF 9
ILLINOIS DEPARTMENT OF TRANSPORTATION
F.A.I. 94/90 (DAN RYAN EXPRESSWAY)
GARFIELD BLVD TO 31ST STREET (NB LOCAL LANES)
RETAINING WALL N-43S-R
BILL OF MATERIAL
SCALE: NTS
DATE: JUNE 9, 2006
DRAWN BY: MTR
CHECKED BY: BLU