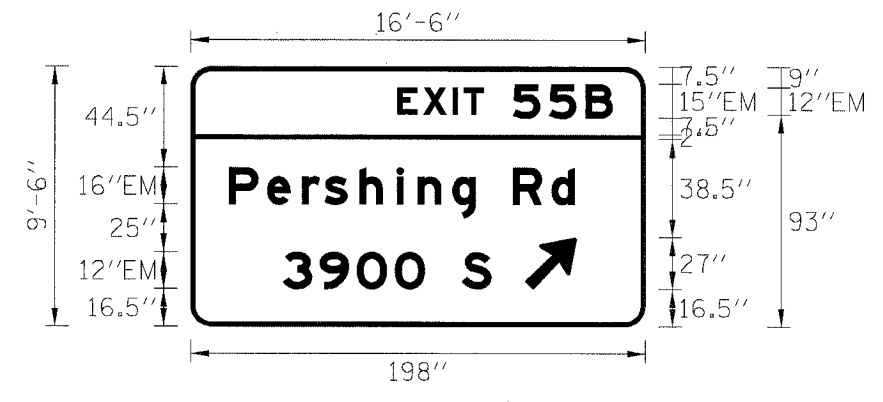


**SIGN DETAIL**  
1:100



SIGN NUMBER	1C016I094R055.20
WIDTH x HGHT.	16'-6" x 9'-6"
BORDER WIDTH	2"
CORNER RADIUS	9"
MOUNTING	Overhead
BACKGROUND	TYPE: Reflective COLOR: Green
LEGENDBORDER	TYPE: Reflective COLOR: White

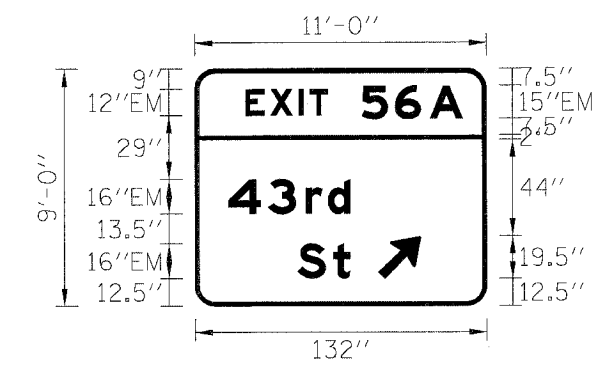
SYMBOL	X	Y	WID	HT
ARMED	145.5	16.5	22.3	35.1

Panel Style:guide\_exp\_advance\_b.ssi  
Dimensions are in inches.tenths

Letter locations are panel edge to lower left corner

LETTER POSITIONS (X)											LENGTH	SERIESSIZE
E	X	I	T	5	5	B						EM12,EM15
89.9	101.2	114	118.9	140.3	156.1	171.9					94	
P	e	r	s	h	i	n	g	R	d			EM1612
16.5	33.1	48.4	58.2	73.3	89.6	98.8	114	124.2	140.2	157.1	150.8	
3	9	0	0		S							EM12
40.1	56.1	72.2	88.8	102	118						91	

**SIGN DETAIL**  
1:100



SIGN NUMBER	1S016I094R056.02 RT
WIDTH x HGHT.	11'-0" x 9'-0"
BORDER WIDTH	2"
CORNER RADIUS	9"
MOUNTING	Overhead
BACKGROUND	TYPE: Reflective COLOR: Green
LEGENDBORDER	TYPE: Reflective COLOR: White

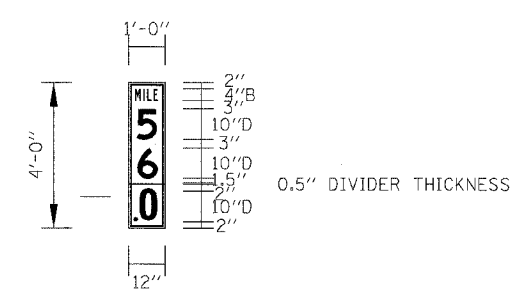
SYMBOL	X	Y	WID	HT
ARMED	82.8	12.5	22.3	35.1

Panel Style:guide\_exp\_advance\_b.ssi  
Dimensions are in inches.tenths

Letter locations are panel edge to lower left corner

LETTER POSITIONS (X)											LENGTH	SERIESSIZE
E	X	I	T	5	6	A						EM12,EM15
22.8	34	46.9	51.7	75.5	90.6	106.5					98.7	
4	3	r	d									EM1612
15	33	50	60.1								55.4	
S	t											EM1612
46.2	62.3										24.2	

**SIGN DETAIL**  
1:100



SIGN NUMBER	PS05-02
WIDTH x HGHT.	1'-0" x 4'-0"
BORDER WIDTH	0.5"
CORNER RADIUS	1.5"
MOUNTING	Barrier
BACKGROUND	TYPE: Reflective COLOR: Green
LEGENDBORDER	TYPE: Reflective COLOR: White

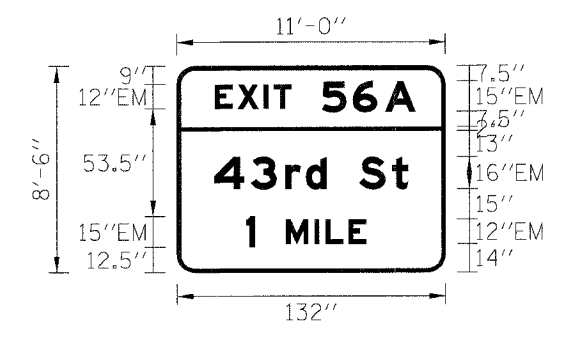
SYMBOL	X	Y	WID	HT

Panel Style:guide\_exp\_distance.ssi  
Dimensions are in inches.tenths

Letter locations are panel edge to lower left corner

LETTER POSITIONS (X)											LENGTH	SERIESSIZE
M	I	L	E									B4
2.1	4.8	6	8.1								7.5	
5												D10
2.6											6.8	
6												D10
2.9											6.8	
												D10
1.6											1.5	
0												D10
3.5											6.8	

**SIGN DETAIL**  
1:100



SIGN NUMBER	1S016I094R055.0 RT
WIDTH x HGHT.	11'-0" x 8'-6"
BORDER WIDTH	2"
CORNER RADIUS	9"
MOUNTING	Overhead
BACKGROUND	TYPE: Reflective COLOR: Green
LEGENDBORDER	TYPE: Reflective COLOR: White

SYMBOL	X	Y	WID	HT

Panel Style:guide\_exp\_advance\_b.ssi  
Dimensions are in inches.tenths

Letter locations are panel edge to lower left corner

LETTER POSITIONS (X)											LENGTH	SERIESSIZE
E	X	I	T	5	6	A						EM12,EM15.1
18.6	29.9	42.7	47.5	71.3	86.5	102.5					99	
4	3	r	d		S	t						EM1612
18.2	36.3	53.2	63.4	73.6	89.6	105.7					95.6	
1	M	I	L	E								EM15.1,EM12
34	53.5	67.6	73	84.3							59.1	

REVISIONS	
NAME	DATE
ADDENDUM 2	8/04/06

ILLINOIS DEPARTMENT OF TRANSPORTATION  
F.A.I. 90/94 (DAN RYAN EXPRESSWAY)  
GARFIELD BLVD TO 31st STREET (SB LOCAL LANES)  
SIGN PANEL DETAILS

SCALE: NONE  
DATE: 06/09/06  
DRAWN BY: RV  
CHECKED BY: AS