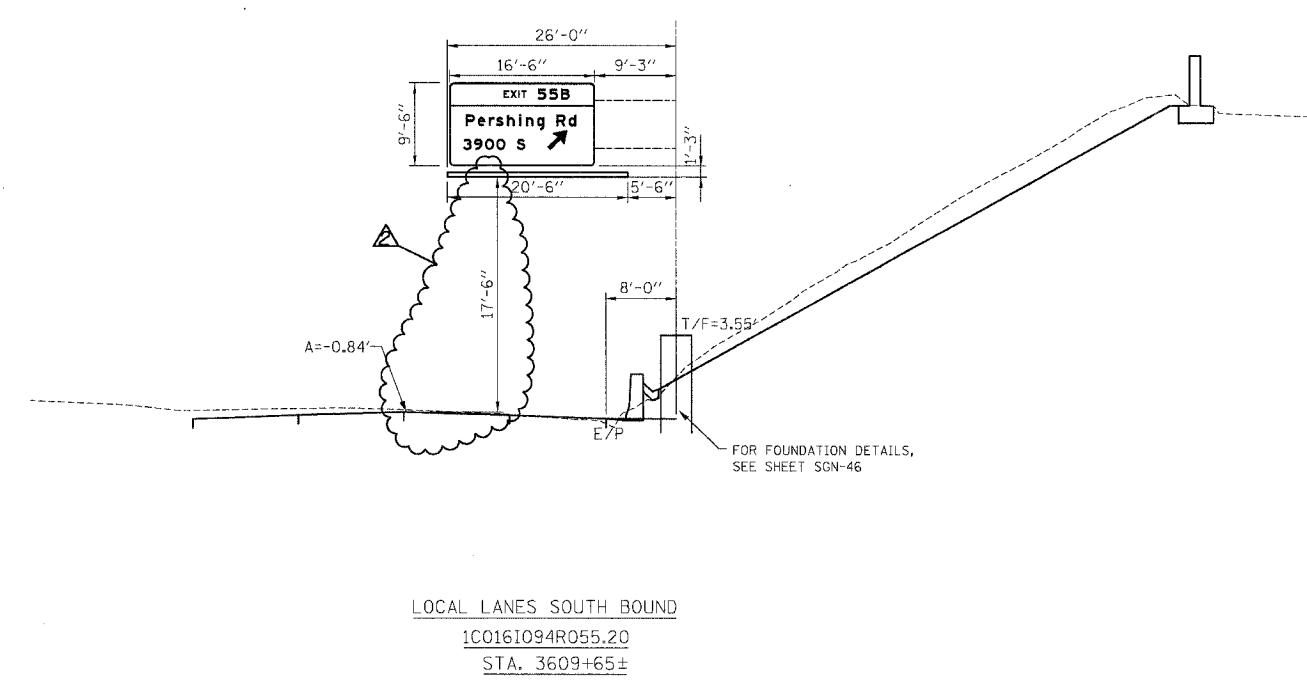
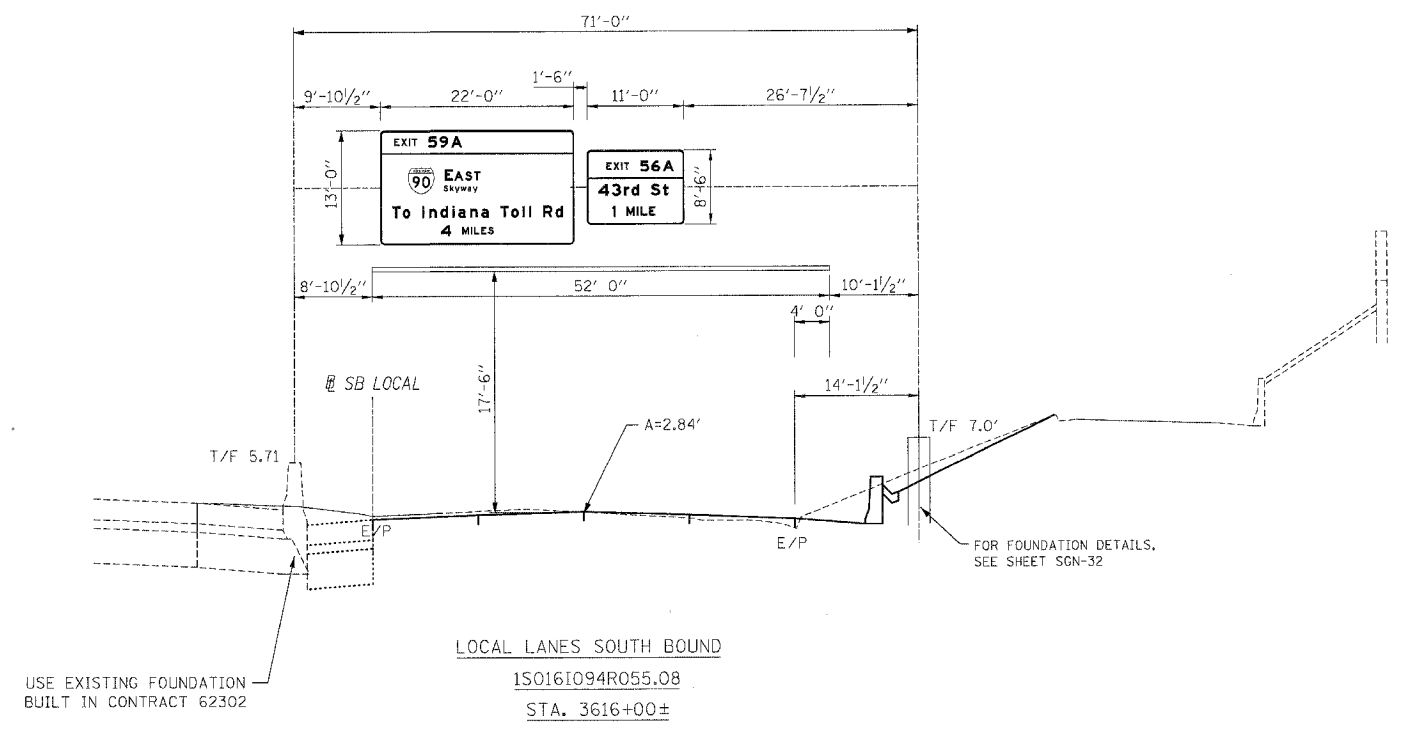
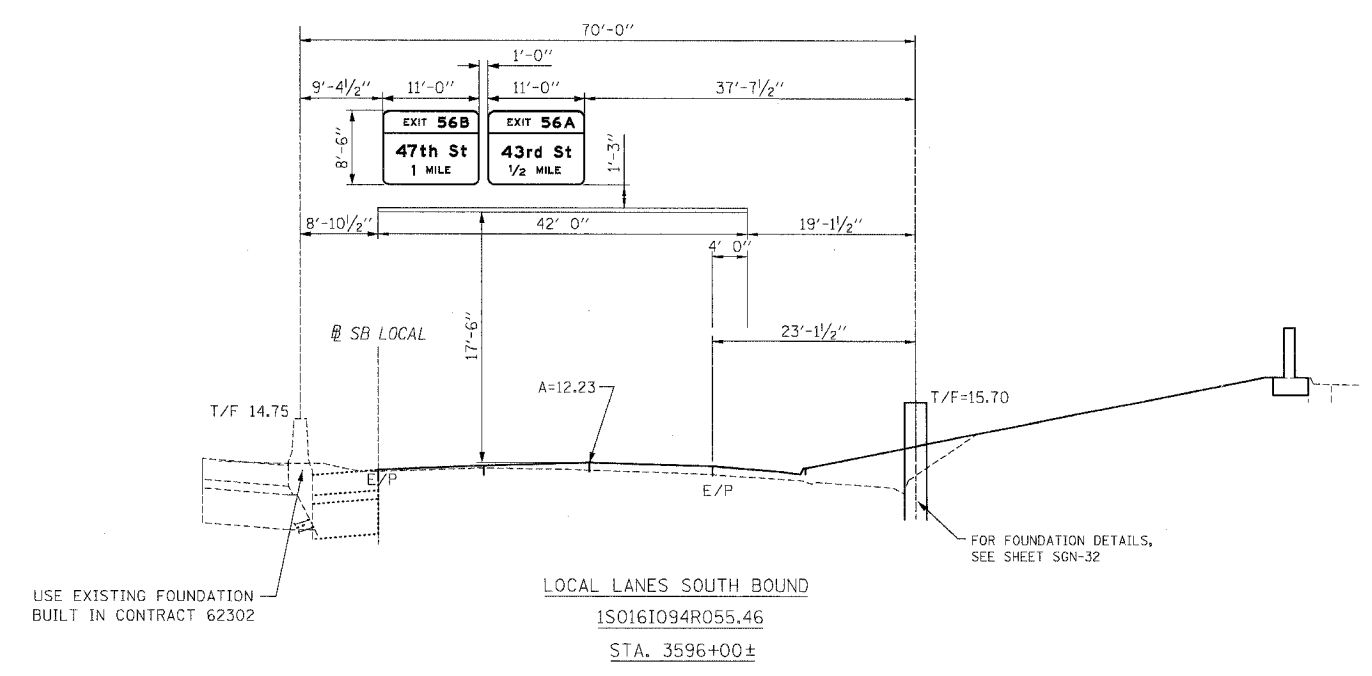


F.A.I. RTE.	SECTION	COUNTY	TOTAL SHEETS	SHEET NO.
94/90	*	COOK	588	263
STA.		TO STA.		
FED. ROAD DIST. NO.	ILLINOIS	FED. AID PROJECT		

* 62303 (2021-922 PT2 ETC 2324.6-1P) R-11



KAM ENGINEERING, INC.
CONSULTING ENGINEERS
707A Davis Road, Suite 205
Evanston, Illinois 60231-3369

REVISIONS	
NAME	DATE
ADDENDUM 2	8/04/06

ILLINOIS DEPARTMENT OF TRANSPORTATION
F.A.I. 90/94 (DAN RYAN EXPRESSWAY)
GARFIELD BLVD TO 31st STREET (SB LOCAL LANES)
SIGN PLACEMENT DETAILS

SCALE: NONE
DATE: 06/09/06

DRAWN BY: MD
CHECKED BY: MSA

SGN-13

8/4/2006 4:51:45 PM