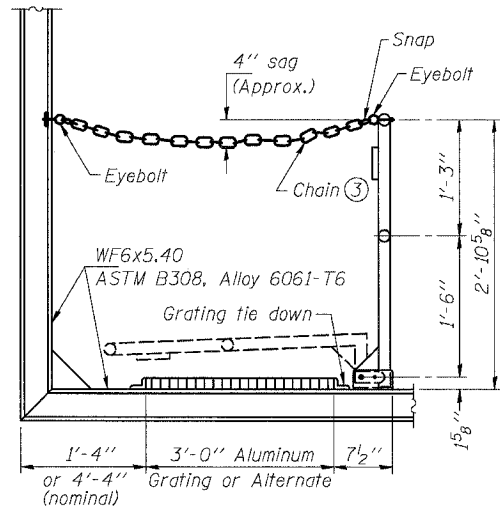


STATE OF ILLINOIS
DEPARTMENT OF TRANSPORTATION

ROUTE NO.	SECTION	COUNTY	SHEET NO.	SHEET NO.
S.B.I. #				---
90/94		COOK	588	281
FED. ROAD DIST. NO. 7	ILLINOIS	FED. AID PROJECT-		---

*62303 (2021-922 PT2 ETC 2324.6-1P) R-11

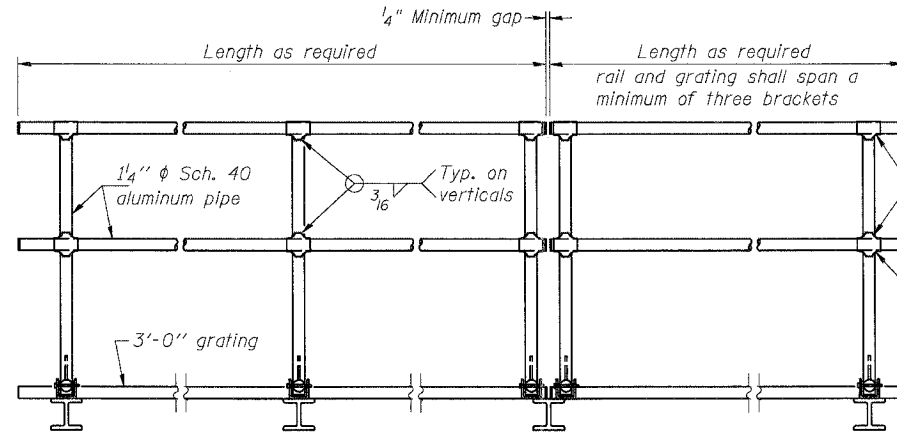


SIDE ELEVATION

(Showing safety chain w/o sign)

HANDRAIL DETAILS

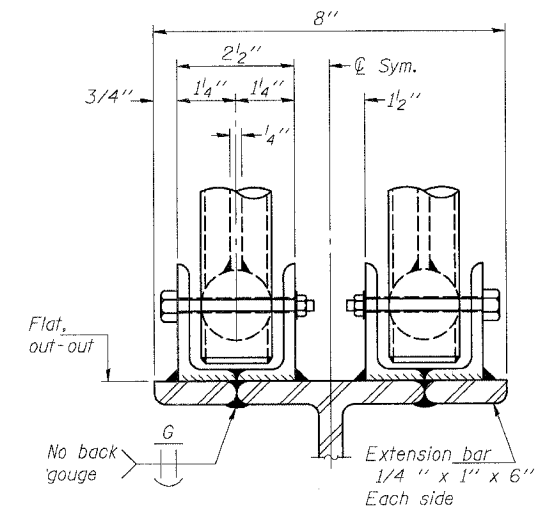
Handrail pipe shall be ASTM B241, Alloy 6063-T6 or Alloy 6061-T6.



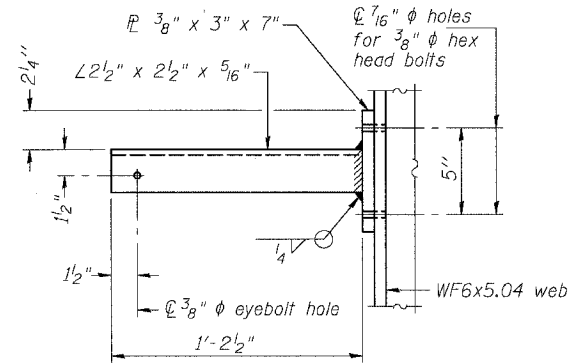
FRONT ELEVATION

② Horizontal handrail member shall be continuous thru fitting. Provide 7/16" ϕ hole in fitting for 3/8" ϕ bolt. Field drill 7/16" ϕ hole in horizontal rail member. Provide washer and locknut for bolt. (Use 5/16" eyebolts in 7/16" ϕ holes on top rail at ends only.)

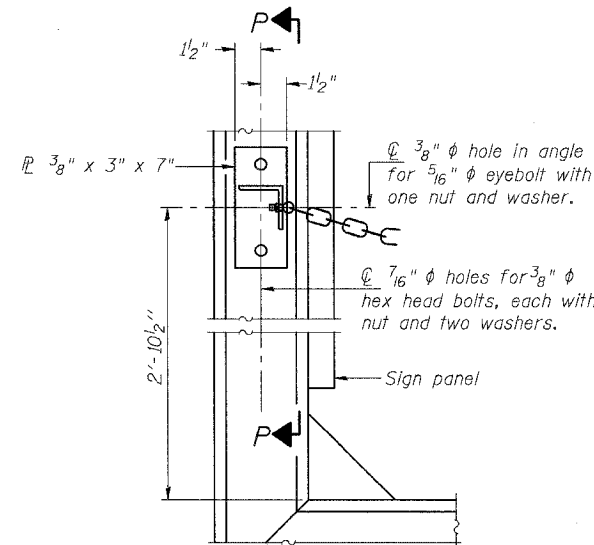
① Install standard force-fit end caps or weld 1/8" end plates with 1/8" c.f.w. and grind smooth. (All rail ends)



ELEVATION AT HANDRAIL JOINT ④



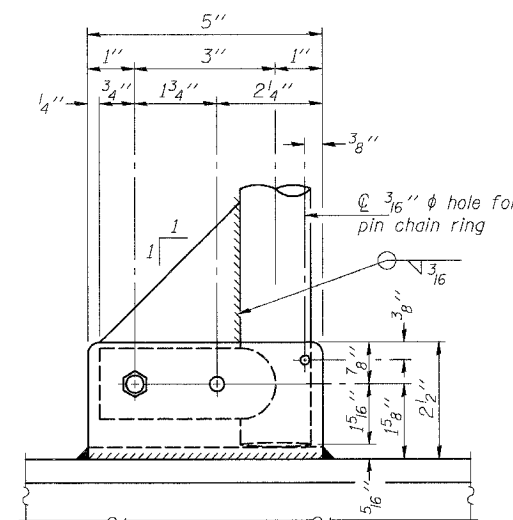
SECTION P-P



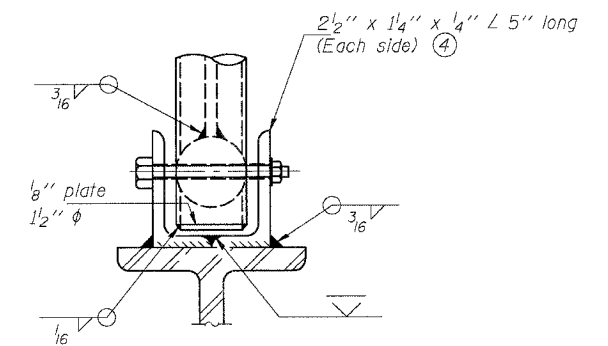
ALTERNATE SAFETY CHAIN ATTACHMENT

(With Sign Present)

Items not shown same as "Side Elevation" of "Handrail Details"

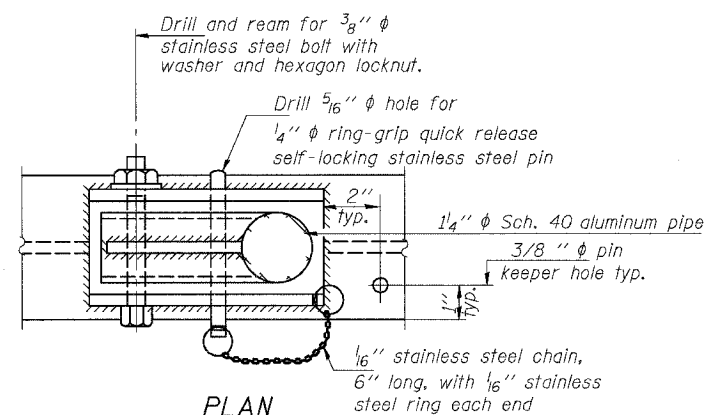


SIDE ELEVATION

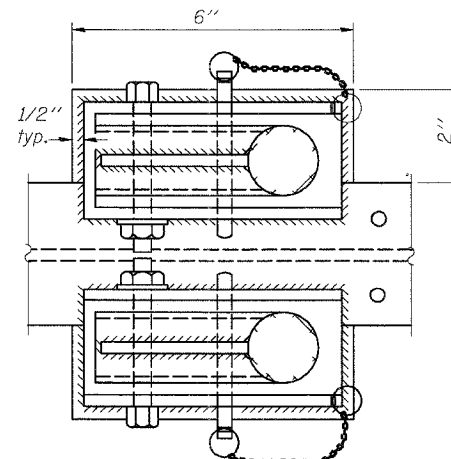


FRONT ELEVATION

See "ELEVATION" at right for dimensions.

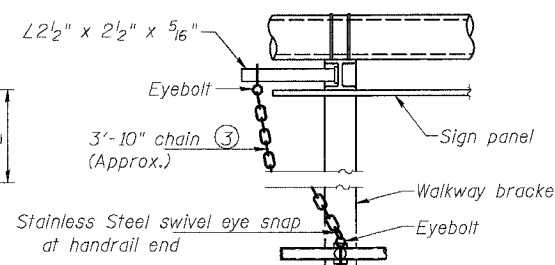


**PLAN
DETAIL E HANDRAIL HINGE**



PLAN AT HANDRAIL JOINT

Details not shown same as "PLAN"

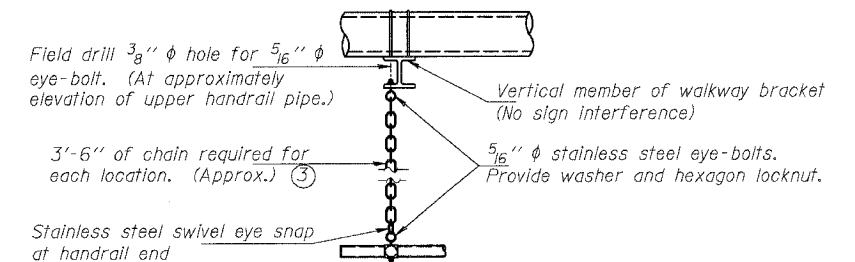


ALTERNATE SAFETY CHAIN ATTACHMENT

Details not shown similar to "Safety Chain" Details (Walkway omitted for clarity)

③ 3/16" type 304L stainless steel chain, approximately 12 links per foot.

④ Extrusions may be used in lieu of the details shown, with approval of the Engineer.



SAFETY CHAIN

One required for each end of each walkway.

DESIGNED	AC	19
CHECKED	AS	EXAMINED
DRAWN	RV	PASSED
CHECKED	MSA	

NUMBER	REVISION	DATE
△	ADDENDUM 2	8/04/06

**OVERHEAD SIGN STRUCTURES
ALTERNATE ALUMINUM HANDRAIL DETAILS
FOR DMS**

ILLINOIS DEPARTMENT OF TRANSPORTATION
F.A.I. 94/90 (DAN RYAN EXPRESSWAY)

GARFIELD BLVD TO 31st STREET (SB LOCAL LANES)

**OVERHEAD SIGN STRUCTURES
(SPAN)**