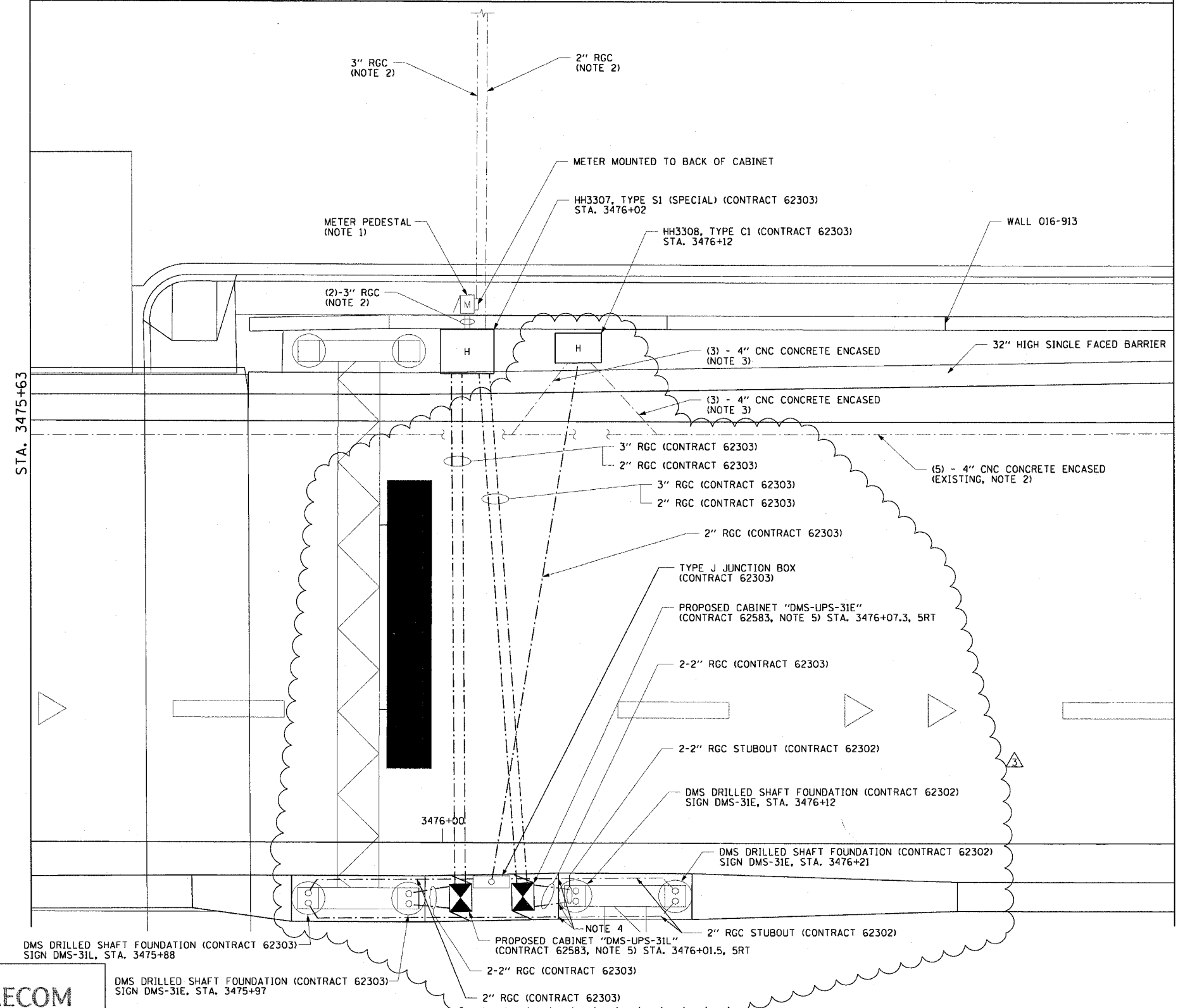


F.A.I. SECTION	COUNTY	TOTAL SHEETS	SHEET NO.
90/94	COOK	588	343
STA. 561+18 TO STA. 562+20			
FED. ROAD DIST. NO. 1 ILLINOIS		FED. AID PROJECT	
62303		(2021-922 PT2 ETC 2324.6-1P) R-11	

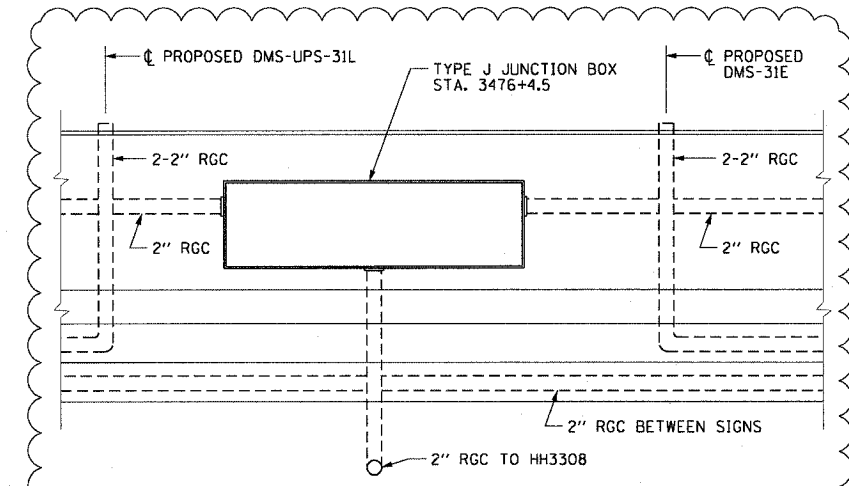
WELLS STREET

562+00

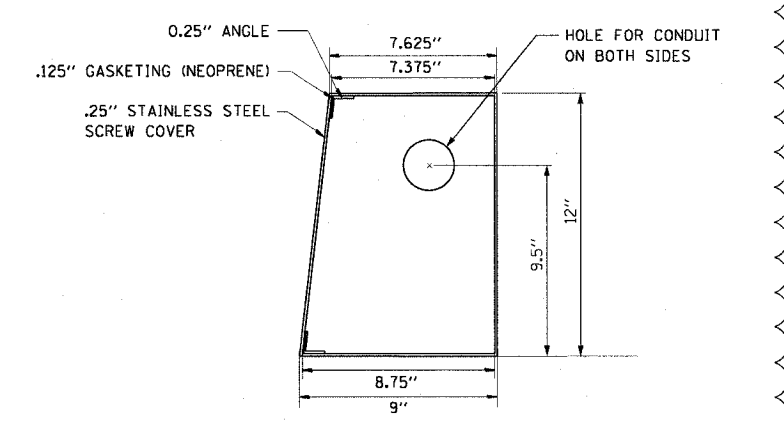


NOTES:

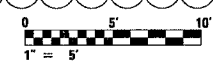
- METER PEDESTAL INSTALLED IN CONTRACT 62583.
- RIGID GALVANIZED CONDUITS INSTALLED IN CONTRACT 62586.
- CNC CONCRETE ENCASED DUCTBANK INSTALLED IN CONTRACT 62586.
- CONNECT PROPOSED CONDUITS TO CONDUIT STUB-OUTS PROVIDED IN DMS SUPPORT FOUNDATION INSTALLED IN CONTRACT 62302.
- COORDINATE EXACT STUB-UP LOCATION FOR CONDUITS FOR DMS CABINETS WITH CONTRACT 62583.
- PROVIDE FOUR 24" LONG, 3/4" DIAMETER ANCHOR RODS FOR EACH DMS CABINET. COORDINATE LOCATION WITH CONTRACT 62583.



1 BARRIER WALL DUCT DETAIL ELEVATION  
NOT TO SCALE



2 SPECIAL JUNCTION BOX TYPE "J" - SIDE VIEW



REVISIONS	
NAME	DATE
ADDENDUM 3	8-11-06

ILLINOIS DEPARTMENT OF TRANSPORTATION  
F.A.I. 90/94 (DAN RYAN EXPRESSWAY)  
GARFIELD BLVD TO 31ST STREET (SB LOCAL LANES)

55TH STREET DETAIL SKETCH

SCALE: 1"=5'  
DATE: June 9, 2006  
DRAWN BY: BMW  
CHECKED BY: BMW

CTE | AECOM

08/10/2006 09:28:08 AM