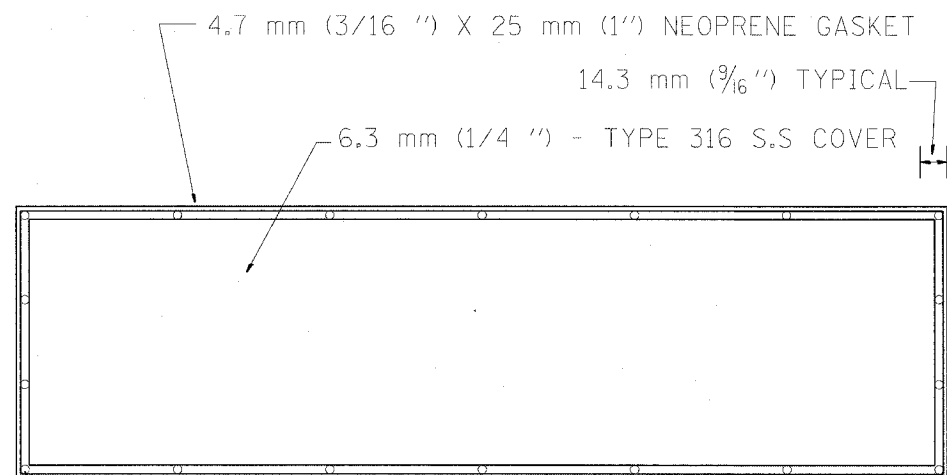


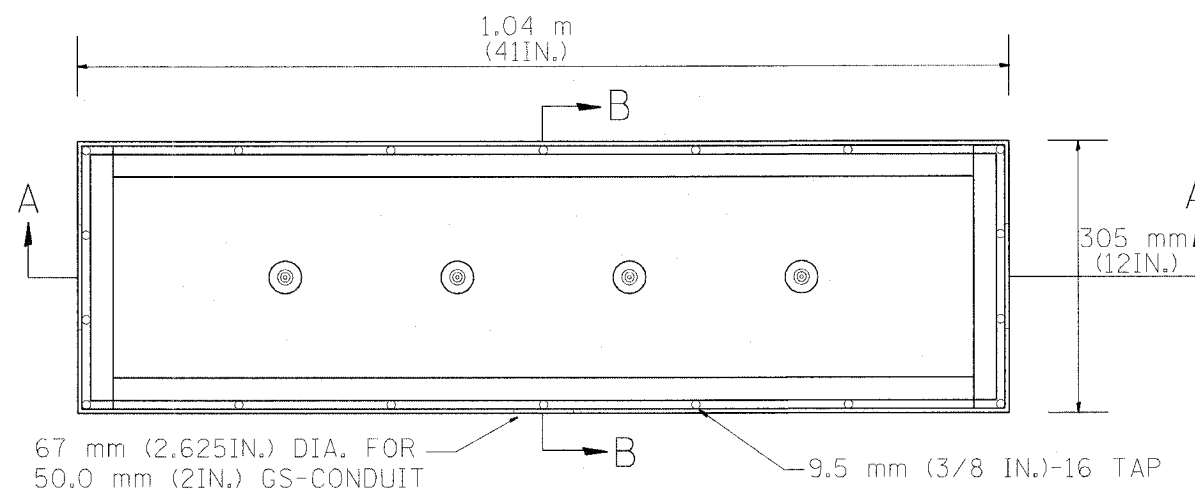
F.A.I. RITE:	SECTION	COUNTY	TOTAL SHEETS	SHEET NO.
90/94	•	COOK	588	343A
STA.	TO STA.			
FED. ROAD DIST. NO. 1	ILLINOIS	FED. AID PROJECT		
62303	• (2021-922 PT2 ETC 2324.6-1P) R-11			



DRILL AND COUNTERSINK TOP OF COVER FOR  
9.5 mm (3/8 inch) 16 X 19 mm (3/4 inch)  
FLAT HEAD STAINLESS STEEL SLOTTED SCREWS

BACK VIEW

STAINLESS STEEL COVER WITH NEOPRENE GASKET



TOP VIEW

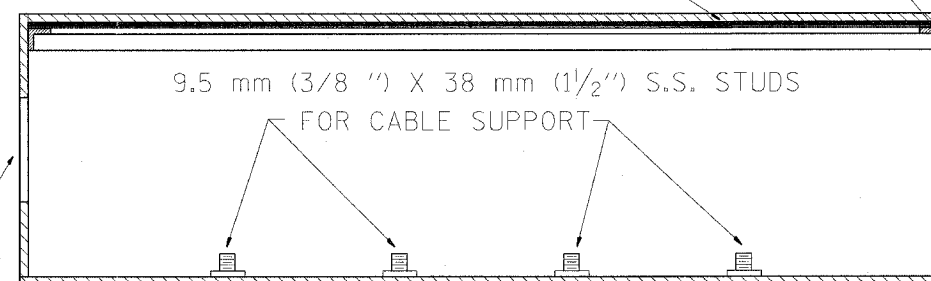
STAINLESS STEEL JUNCTION BOX TYPE "J"



SIDE VIEW

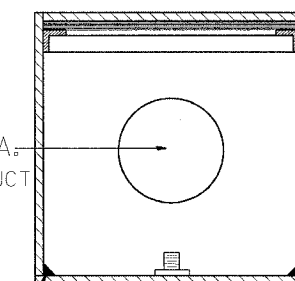
STAINLESS STEEL COVER

25 mm (1 inch) X 25 mm (1 inch) X 63 mm (1/4 inch) S.S. ANGLE  
CONTINUOUSLY WELDED AND LEAKPROOF  
NEOPRENE GASKET



SIDE VIEW SECTION A-A

305 mm (12 IN.)



SIDE VIEW SECTION B-B

NOTE:

JUNCTION BOX TO BE CONSTRUCTED OF  
6.3 mm (1/4 IN.) TYPE 316 STAINLESS STEEL  
ALL WELDS SHALL BE CONTINUOUS AND LEAKPROOF  
ALL COVERS SHALL BE UNIVERSAL IN FIT.

BARRIER WALL SHALL BE GAPPED A MINIMUM OF 4.57 m (15ft.) FOR PROPER PLACEMENT OF JUNCTION BOX TYPE "J" AND FOR A SMOOTH TRANSITION OF 100 mm (4IN.) PVC SURVEILLANCE DUCT(S) FROM BARRIER WALL FOOTER INTO JUNCTION BOX.

CTE | AECOM

REVISIONS	
NAME	DATE
ADDENDUM 3	8-11-06

ILLINOIS DEPARTMENT OF TRANSPORTATION  
F.A.I. 90/94 (DAN RYAN EXPRESSWAY)  
GARFIELD BLVD TO 31ST STREET (SB LOCAL LANES)  
CONCRETE  
BARRIER WALL JUNCTION BOX  
TYPE "J"

SCALE: NOT TO SCALE  
DATE: August 11, 2006  
DRAWN BY: HAR  
CHECKED BY: JPC

EI-110A

08/09/2006 03:04:35 PM