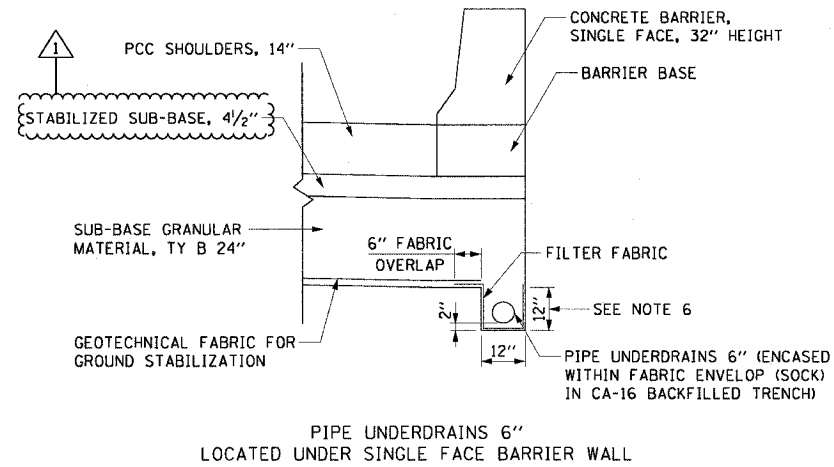
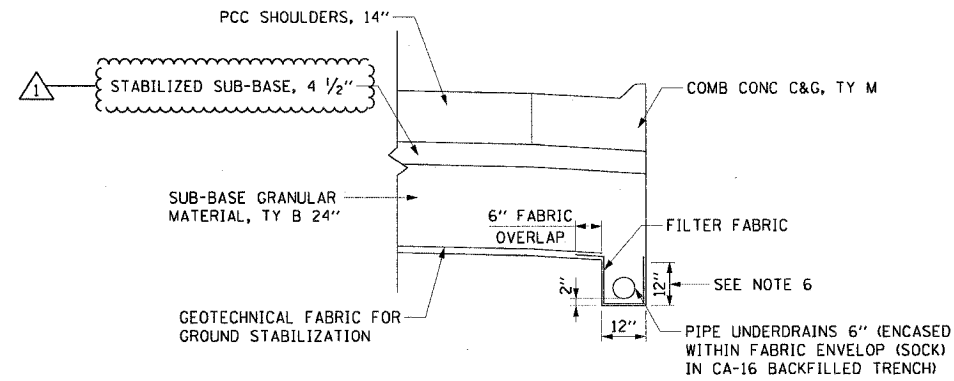


F.A.I. RTE.	SECTION	COUNTY	TOTAL SHEETS	SHEET NO.
90/94	*	COOK	588	378
STA.	TO STA.			
FED. ROAD DIST. NO. 1		ILLINOIS	FED. AID PROJECT	
62303		(2021-922 PT2 ETC 2324.6-1P) R-11		

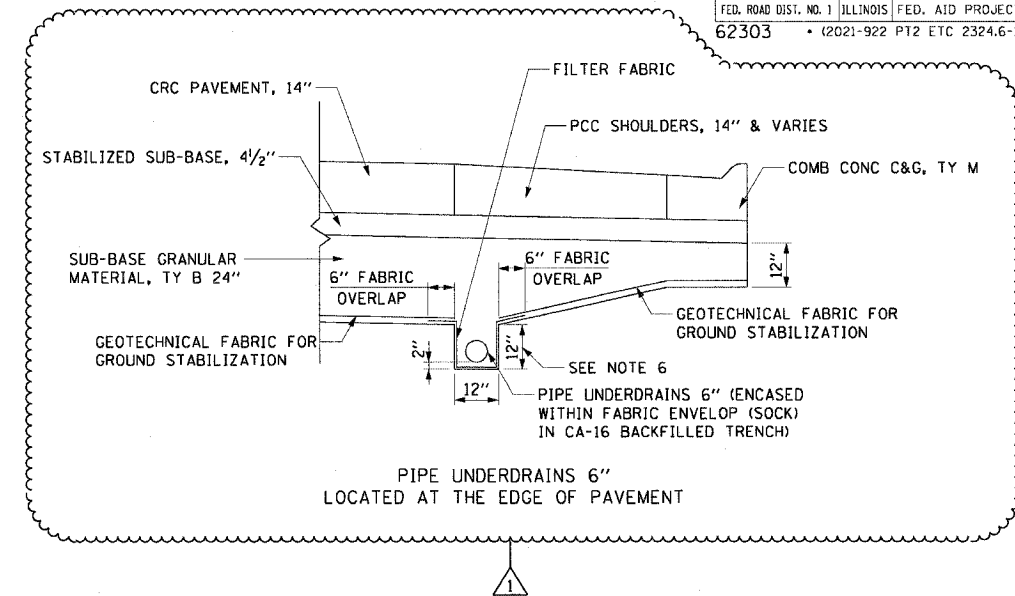
PIPER UNDERDRAINS 6"
N.T.S.



PIPE UNDERDRAINS 6"
LOCATED UNDER SINGLE FACE BARRIER WALL



PIPE UNDERDRAINS 6"
LOCATED UNDER COMB CONC C&G

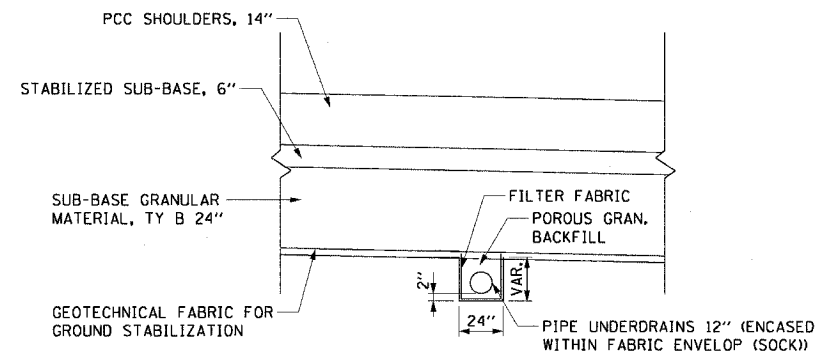


PIPE UNDERDRAINS 6"
LOCATED AT THE EDGE OF PAVEMENT

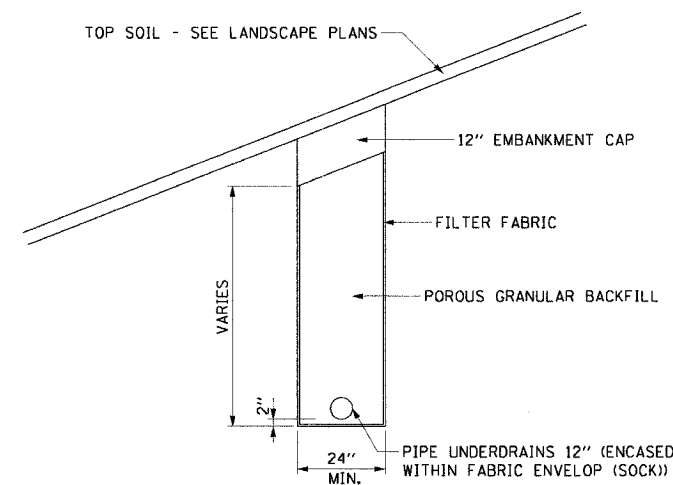
NOTES:

1. GEOTECHNICAL FABRIC FOR GROUND STABILIZATION SHALL BE PLACED SUCH THAT IT EXTENDS TO THE EDGE OF THE TRENCH AND OVERLAPS THE FILTER FABRIC BY A MINIMUM OF 6". AT NO TIME SHALL THE GEOTECHNICAL FABRIC FOR GROUND STABILIZATION BE OVER OR COVER THE UNDERDRAIN TRENCH.
2. NO CONSTRUCTION TRAFFIC SHALL BE ALLOWED ON THE TRENCH UNTIL A MINIMUM OF 12" OF COMPACTED SUB-BASE IS PROVIDED.
3. THE PIPE UNDERDRAIN TRENCH SHALL BE LINED WITH FILTER FABRIC ON THE BOTTOM AND SIDES OF THE TRENCH. THE TOP OF THE TRENCH MUST NOT BE COVERED WITH ANY FABRIC.
4. FILTER FABRIC, FABRIC ENVELOPE, AND CA-16 AGGREGATE ARE INCLUDED IN THE UNIT COST OF PIPE UNDERDRAIN, 6".
5. CONTRACTOR SHALL FLUSH PIPE UNDERDRAIN WITH WATER TO INSURE UNDERDRAIN IS FUNCTIONING PROPERLY PRIOR TO THE PLACEMENT OF STABILIZED SUB-BASE. PRIOR TO COMMENCING THIS WORK, THE CONTRACTOR SHALL PROVIDE THE ENGINEER WITH HIS APPROACH AND METHODS FOR COMPLETING THIS WORK, FOR THE ENGINEER'S REVIEW AND APPROVAL. THE COST OF FLUSHING THE PIPE IS INCLUDED IN THE UNIT COST OF PIPE UNDERDRAIN, 6".
6. WHERE PIPE UNDERDRAIN CONFLICTS WITH EXISTING UTILITY CROSSINGS, DEPTH WILL VARY AS NEEDED TO ACHIEVE FLOW DIRECTIONS SHOWN ON DRAINAGE PLANS. MINIMUM DEPTH OF PIPE UNDERDRAIN IS 12" BELOW SUBGRADE. COST OF ADDITIONAL PIPE UNDERDRAIN DEPTH SHALL BE INCLUDED IN THE UNIT COST OF PIPE UNDERDRAIN, 6".
7. SEE ROADWAY DETAIL SHEETS RDT21A & RDT21B FOR PIPE UNDERDRAIN DETAILS AT CROSS STREET BRIDGES.

PIPER UNDERDRAINS 12"
N.T.S.



PIPE UNDERDRAINS 12"
LOCATED UNDER PROPOSED PAVEMENT



PIPE UNDERDRAINS 12"
LOCATED OUTSIDE PROPOSED PAVEMENT

NOTES:

1. THE PIPE UNDERDRAIN TRENCH SHALL BE LINED WITH FILTER FABRIC ON THE BOTTOM AND SIDES OF THE TRENCH.
2. FILTER FABRIC AND FABRIC ENVELOPE ARE INCLUDED IN THE UNIT COST OF PIPE UNDERDRAIN, 12".

CTE | AECOM

REVISIONS	
NAME	DATE
ADDENDUM 1	7/27/06

ILLINOIS DEPARTMENT OF TRANSPORTATION
F.A.I. 90/94 (DAN RYAN EXPRESSWAY)
GARFIELD BLVD TO 31ST STREET (SB LOCAL LANES)

DRAINAGE DETAILS
PIPE UNDERDRAINS

SCALE: NONE
DATE: June 9, 2006

DRAWN BY: RMG
CHECKED BY: XXX

DDT-1

1/02/04 PH