

F.A.I.	SECTION	COUNTY	TOTAL SHEETS	SHEET NO.
94/90	*	COOK	588	416
STA.		TO STA.		
FED. ROAD DIST. NO.		ILLINOIS FED. AID PROJECT		
62303		*(2021-922 PT2 ETC 2324.6-1P) R-11		

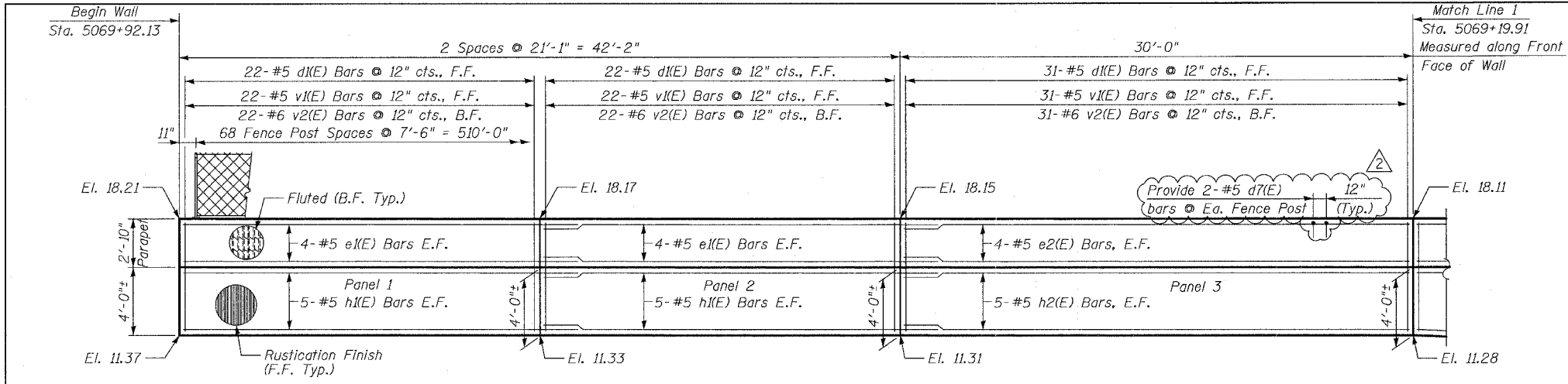
NOTES:

1. Facing in Plan Views is scaled 1:2 on an X:Y scale to show reinforcement.
 2. See details for reinforcing bar clearances.
 3. Stationing is @ Ramp 47A.
 4. See Sheet 16 for Section B-B
- * Order bars full length and cut as indicated in cutting diagram.
 ** Remaining Bars from Cutting Diagram

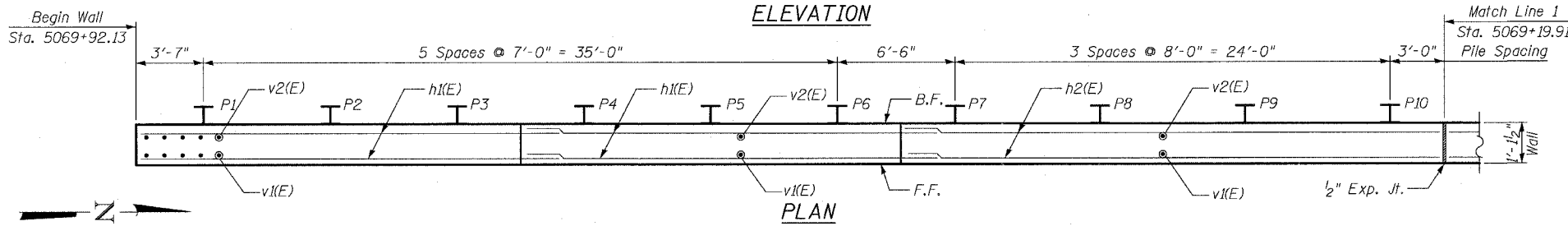
F.F. - denotes Front Face
 B.F. - denotes Back Face
 E.F. - denotes Each Face

MIN BAR LAP

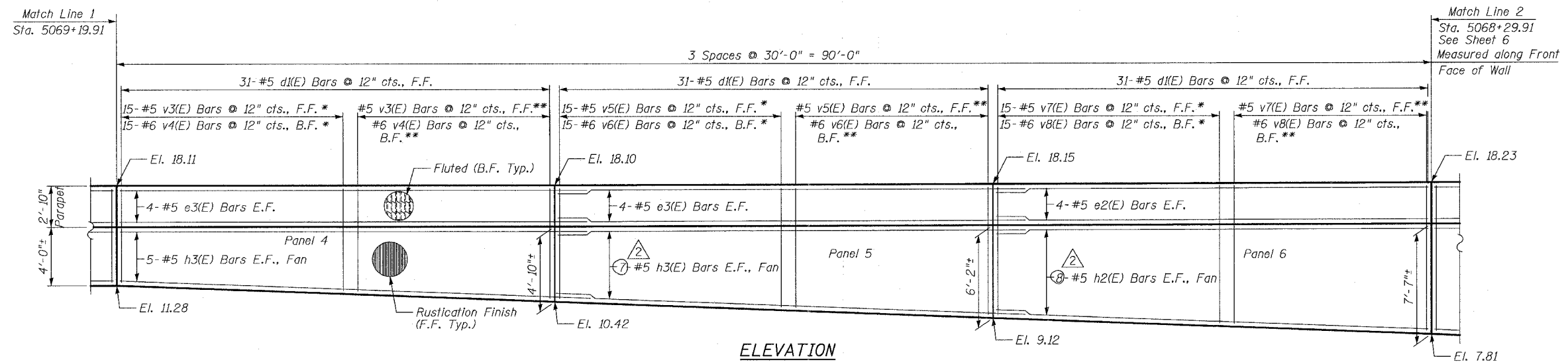
- #5 - 2'-2"
- #6 - 2'-7"



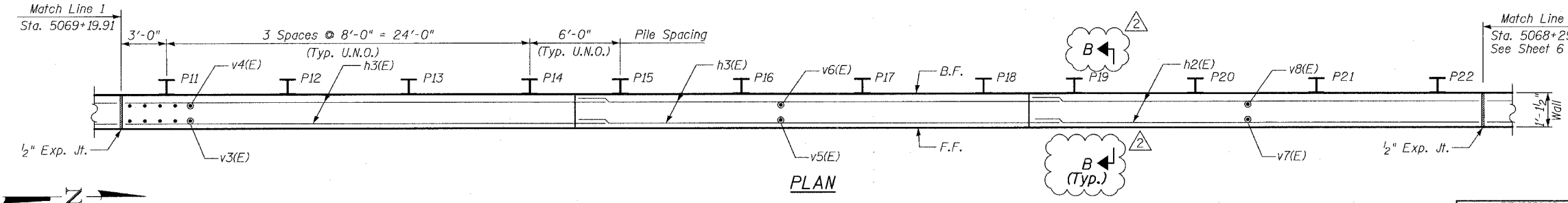
ELEVATION



PLAN



ELEVATION



PLAN

REVISIONS	
NAME	DATE
REVISOR	7/13/06
ADDENDUM 2	8/04/06

ILLINOIS DEPARTMENT OF TRANSPORTATION
 F.A.I. 94/90 (DAN RYAN EXPRESSWAY)
 GARFIELD BLVD TO 31ST STREET (SB LOCAL LANES)
 COOK COUNTY
 STA. 3532+90.57 TO STA. 3543+57.42
 RETAINING WALL S-45S-F
 WALL DETAILS 1
 S.N. 016-W978

SCALE: NTS
 DATE: JUNE 9, 2006
 DRAWN BY: MTR
 CHECKED BY: BLU

BOWMAN, BARRETT & ASSOCIATES INC.
 CONSULTING ENGINEERS
 Chicago, Illinois
 312.228.0100
 www.bbainc.com

3/10/2006 3:25:55 PM