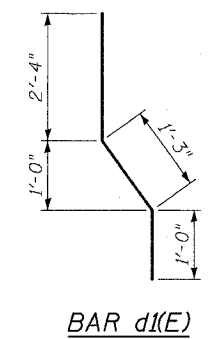
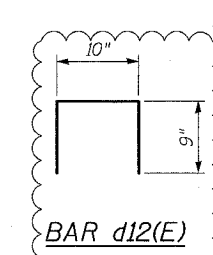


BILL OF MATERIAL

Bar	No.	Size	Length	Shape	
d1(E)	465	#5	4'-7"	[Diagram]	
d12(E)	114	#5	2'-4"		
e1(E)	40	#5	29'-8"	—	
e2(E)	80	#5	32'-2"	—	
h1(E)	50	#5	29'-8"	—	
h2(E)	100	#5	32'-2"	—	
v1(E)	372	#6	6'-6"	—	
v2(E)	372	#5	3'-8"	—	
v3(E)	62	#6	6'-7"	—	
v4(E)	62	#5	3'-9"	—	
v5(E)	31	#6	6'-8"	—	
v6(E)	31	#5	3'-10"	—	
Reinforcement Bars, Epoxy Coated				Pound	17,670
Concrete Structures				Cu. Yd.	73.6
Concrete Superstructure				Cu. Yd.	57.2
Chain Link Fence, 42" Attached to Structure (Special)				Foot	448
Rustication Finish				Sq. Ft.	1,681
Protective Coat				Sq. Yd.	292

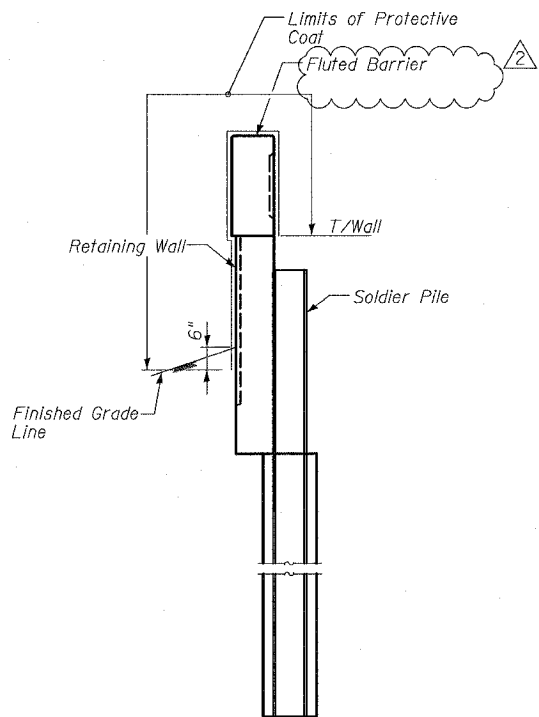


BAR d1(E)



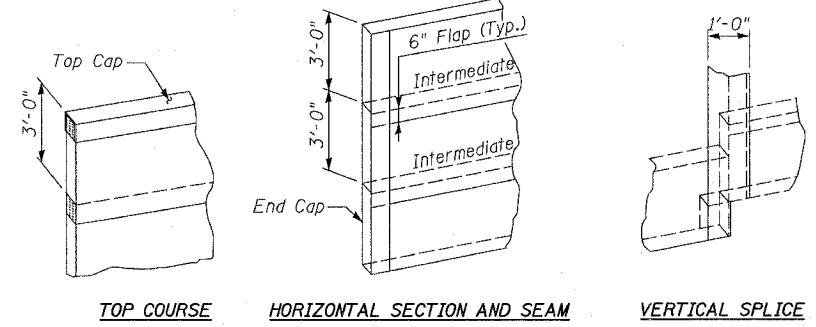
BAR d12(E)

- NOTES:**
- For excavations and/or embankments outside limits indicated see Roadway Plans and schedules.
 - Provide Porous Granular Embankment (Special) behind wall (2'-0" min.) from existing or excavated ground line to bottom of Concrete Median Survice 5" (Modified).

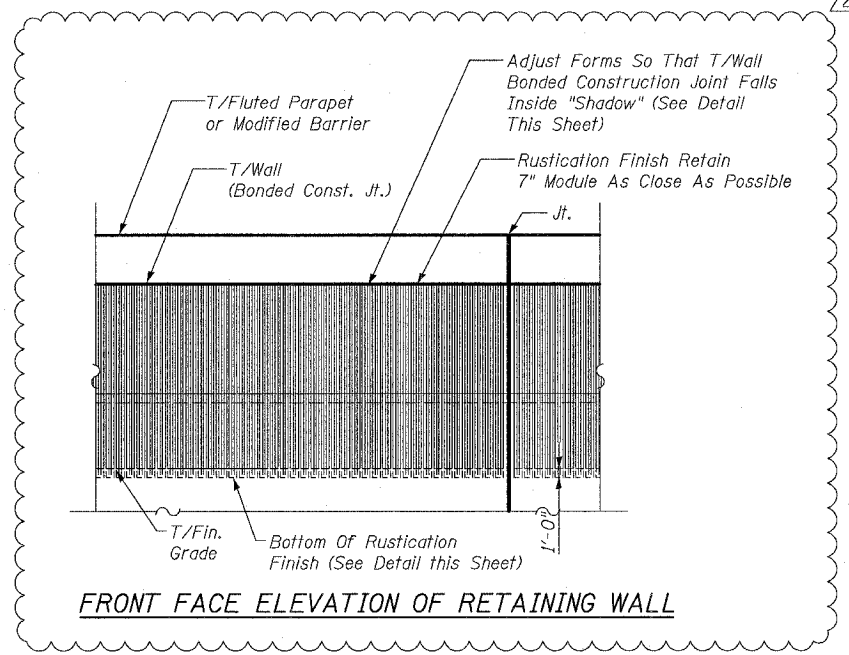


DETAIL OF LIMITS OF PROTECTIVE COAT

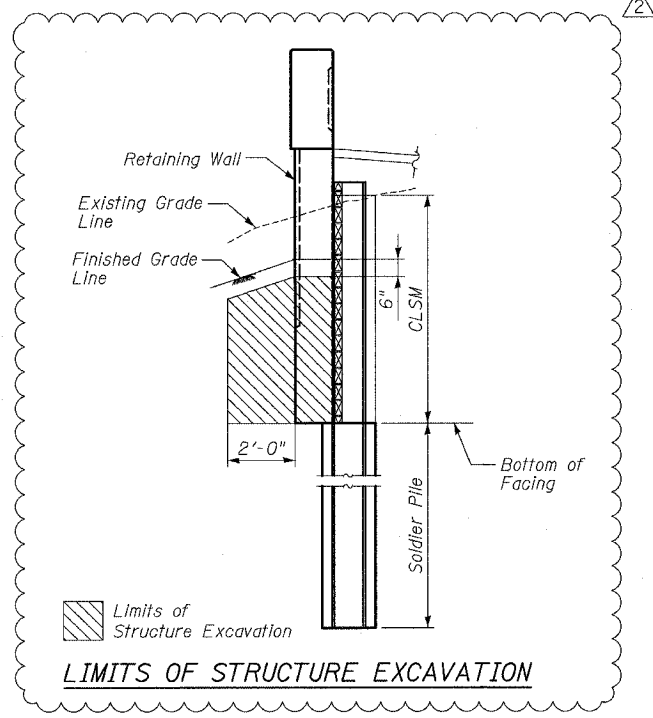
Apply Protective Coat to Front Face only when less than 25'-0" to Ramp E.O.P.



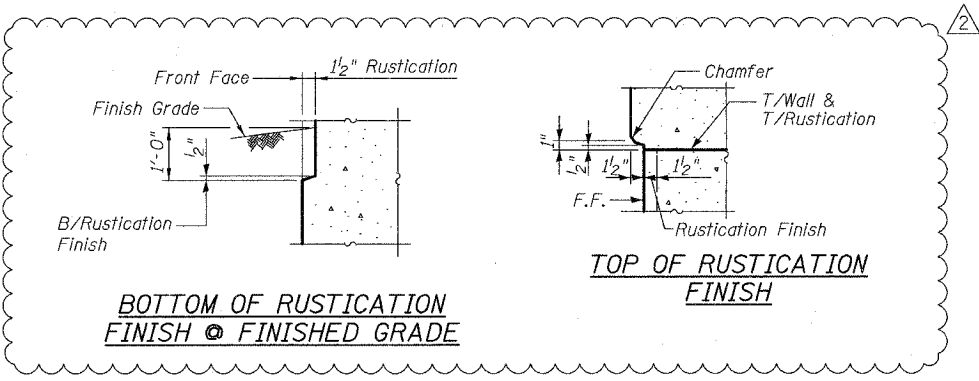
GECOMPOSITE WALL DRAIN DETAILS



FRONT FACE ELEVATION OF RETAINING WALL



LIMITS OF STRUCTURE EXCAVATION



BOTTOM OF RUSTICATION FINISH @ FINISHED GRADE

TOP OF RUSTICATION FINISH

REVISIONS	
NAME	DATE
REVISED	6/21/06
ADDENDUM 2	8/04/06

ILLINOIS DEPARTMENT OF TRANSPORTATION
 F.A.I. 94/90 (DAN RYAN EXPRESSWAY)
 GARFIELD BLVD TO 31ST STREET (SB LOCAL LANES)
 RETAINING WALL S-43N-F
 BILL OF MATERIAL & DETAILS

SCALE: NTS
 DATE: JUNE 9, 2006
 DRAWN BY: MTR
 CHECKED BY: BLU