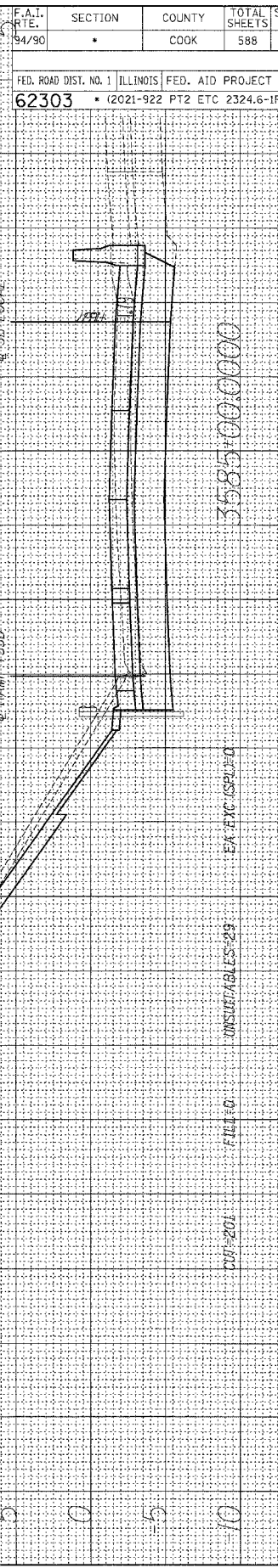
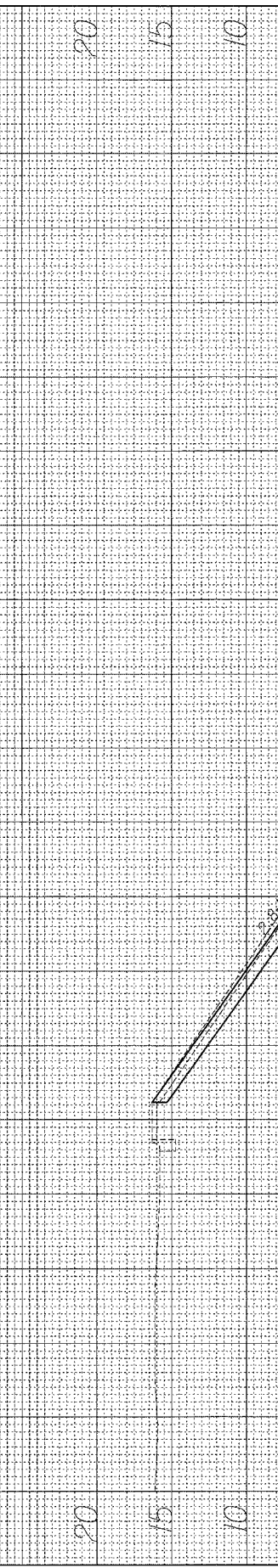
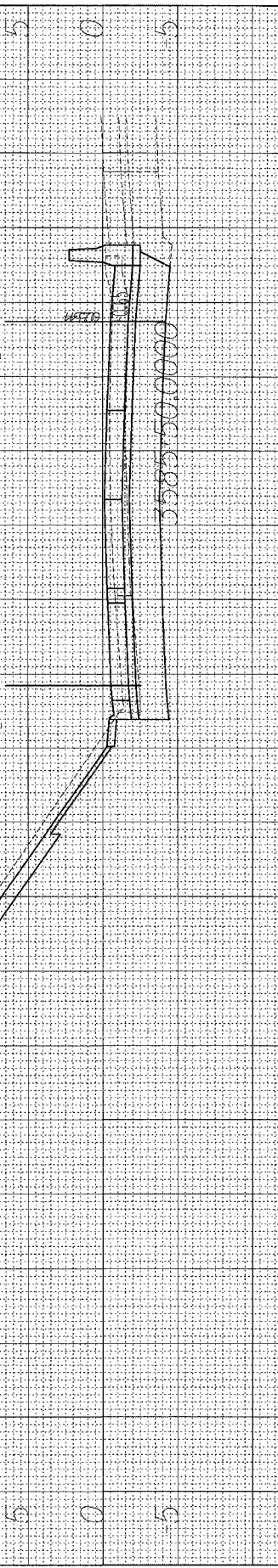
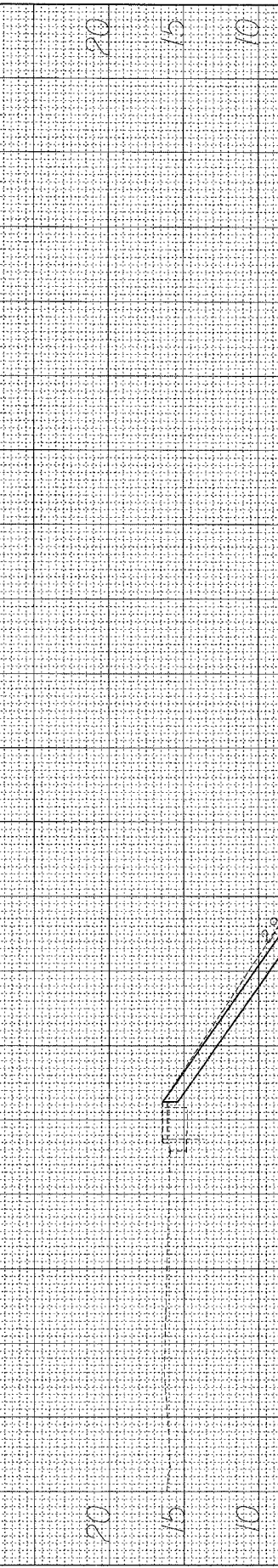
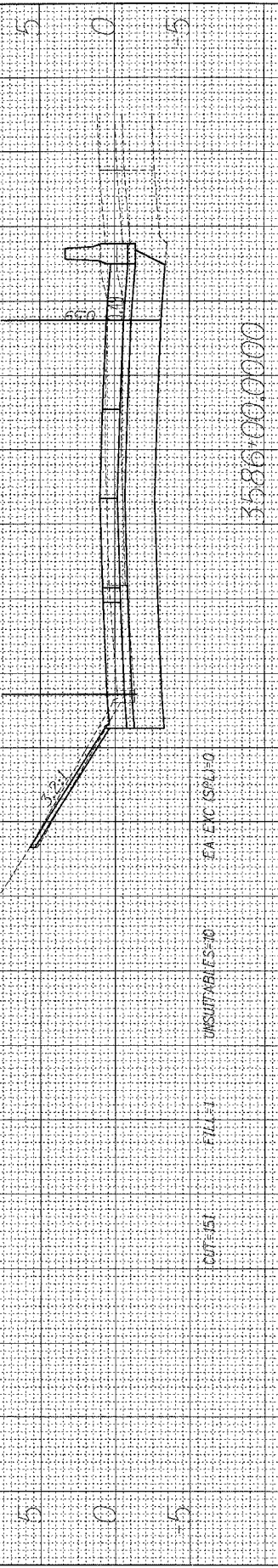
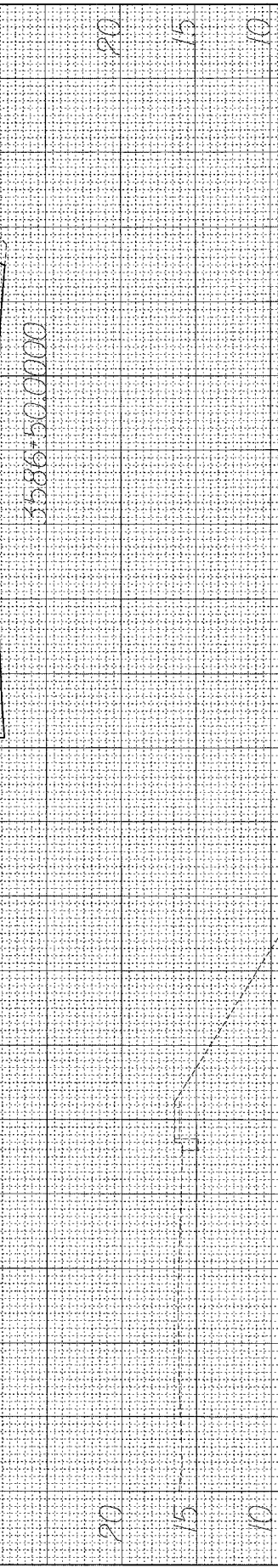
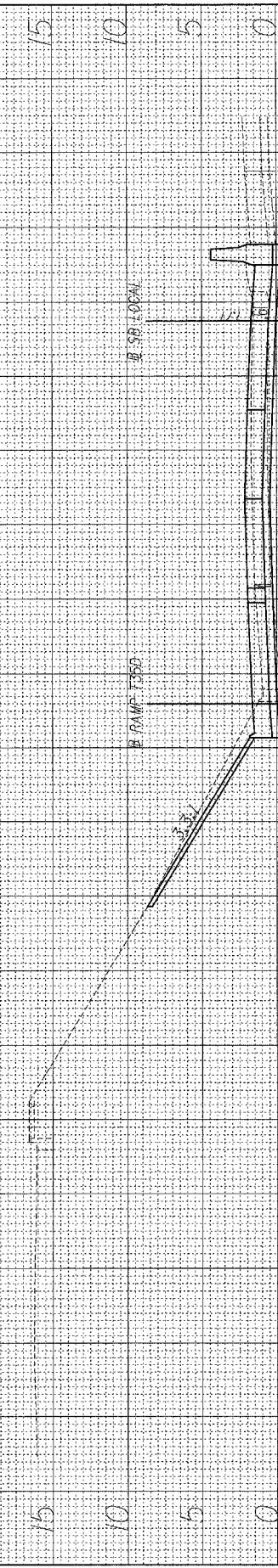
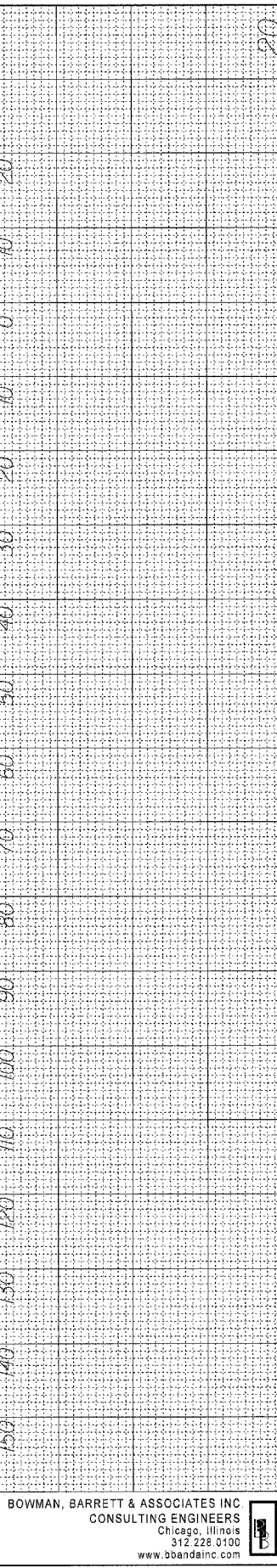


FINAL SURVEY	DATE
BY	
EMENDED SURVEY	DATE
BY	
NOTE BOOK	
NO.	
PLOTTED	
TEMPLATE	
AREAS CHECKED	

ORIGINAL SURVEY	DATE
BY	
EMENDED SURVEY	DATE
BY	
NOTE BOOK	
NO.	
PLOTTED	
TEMPLATE	
AREAS CHECKED	



BOWMAN, BARRETT & ASSOCIATES INC
CONSULTING ENGINEERS
Chicago, Illinois
312.228.0100
www.bbainc.com

F.A.I. DATE: 8/4/90	SECTION	COUNTY	TOTAL SHEETS	SHEET NO.
		COOK	588	546
FED. ROAD DIST. NO. 1 ILLINOIS		FED. AID PROJECT		
62303		(2021-922 PT2 ETC 2324.6-1PJR-11)		

8/4/2006 6:25 PM