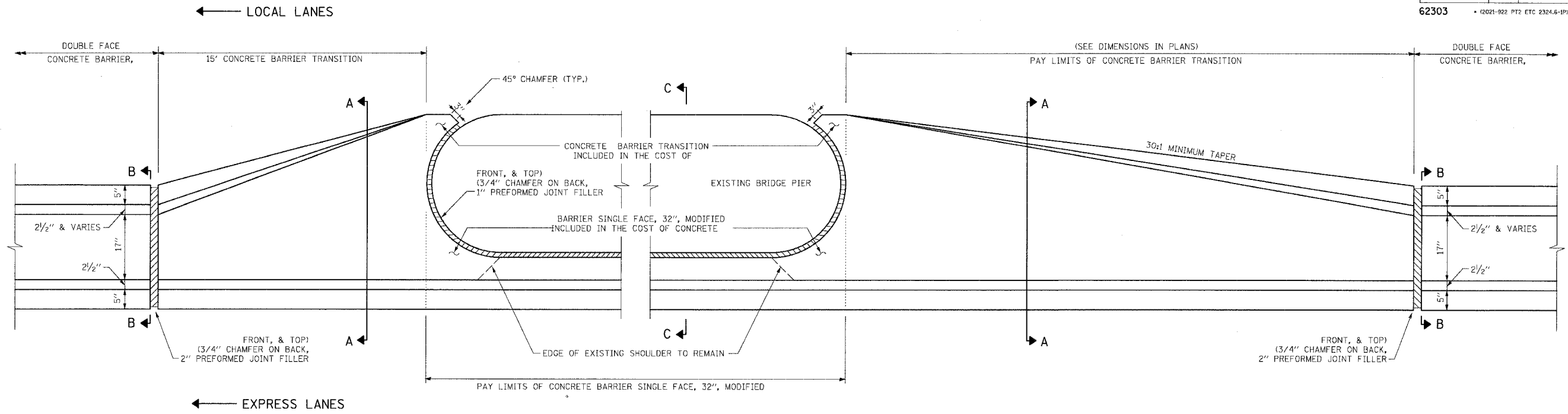
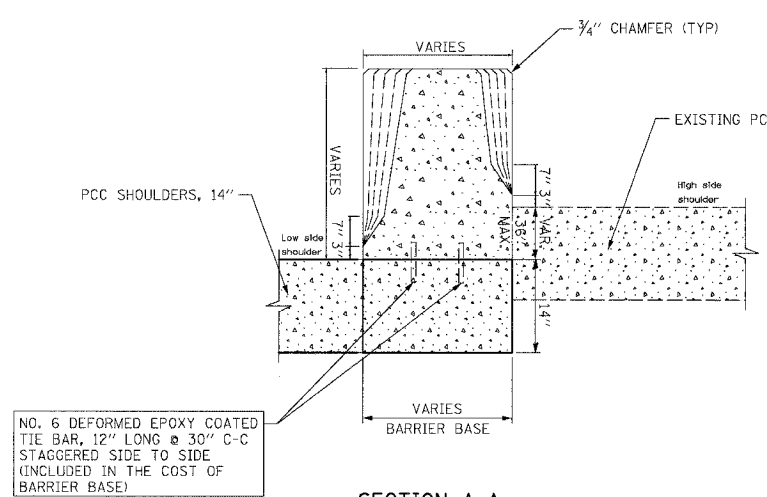


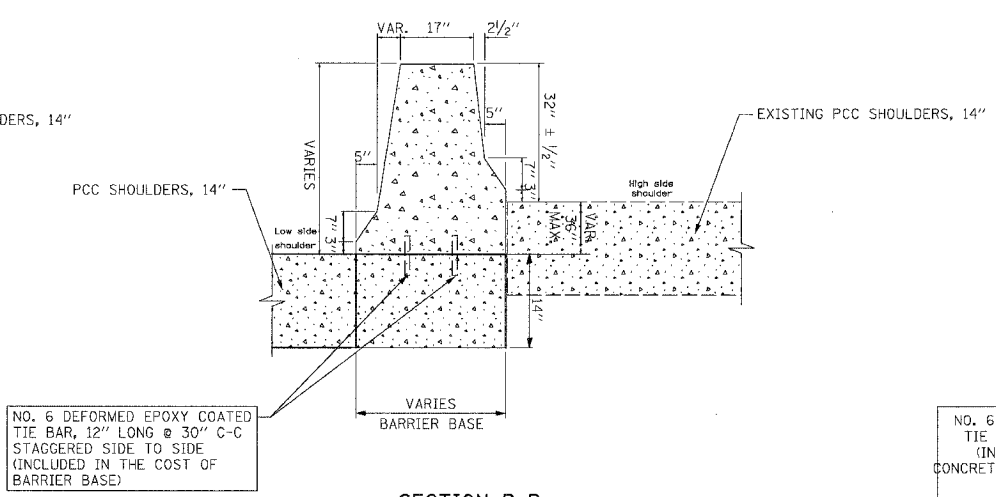
| | | | | |
|---------------------|-------------------------------------|------------------|--------------|-----------|
| F.A.I. | SECTION | COUNTY | TOTAL SHEETS | SHEET NO. |
| 94/90 | | COOK | 588 | 353 |
| STA. | TO STA. | | | |
| FED. ROAD DIST. NO. | ILLINOIS | FED. AID PROJECT | | |
| 62303 | + (2021-922 PT2 ETC 2324.6-IP) R-10 | | | |



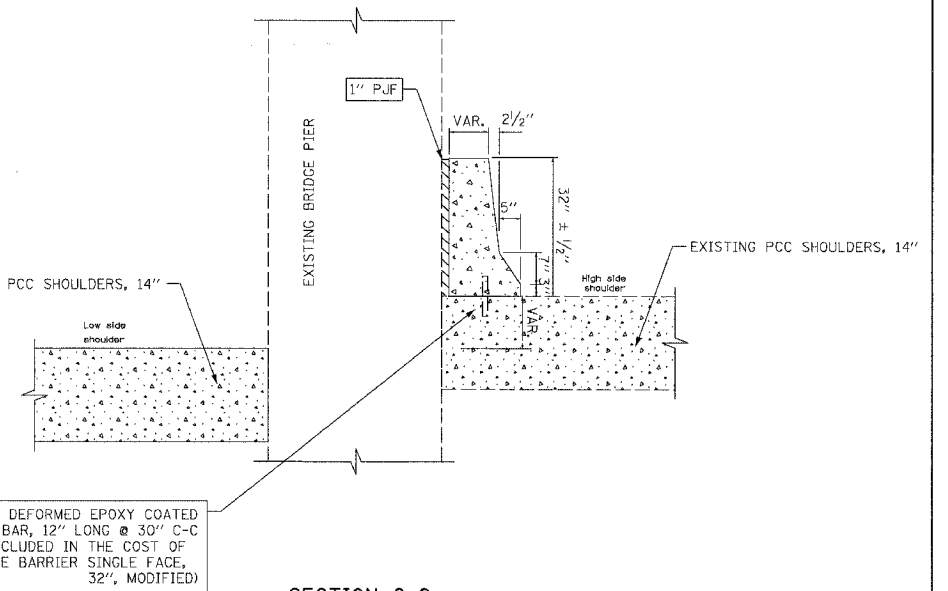
DETAIL OF CONCRETE BARRIER TRANSITION AND CONCRETE BARRIER SINGLE FACE, 32", MODIFIED AT EXISTING MEDIAN BRIDGE PIERS



**SECTION A-A
CONCRETE BARRIER TRANSITION**



**SECTION B-B
DOUBLE FACE BARRIER WALL**



**SECTION C-C
PIER TREATMENT**

BOWMAN, BARRETT & ASSOCIATES INC.
CONSULTING ENGINEERS
Chicago, Illinois
312.228.0100
www.bbainc.com

- NOTE:
1. ALL TRANSITIONS PAID FOR AS CONCRETE BARRIER TRANSITION
 2. THIS DETAIL APPLIES TO THE BRIDGE PIER TREATMENTS AT THE FOLLOWING BRIDGES: 43RD STREET, ROOT STREET, PERSHING ROAD, 35TH STREET, AND 33RD STREET. SEE DETAIL RDT-2 FOR ALL OTHER BRIDGE PIER TREATMENTS.

| REVISIONS | |
|-----------|------|
| NAME | DATE |
| | |
| | |
| | |
| | |
| | |
| | |
| | |
| | |
| | |

ILLINOIS DEPARTMENT OF TRANSPORTATION
F.A.I. 94/90 (DAN RYAN EXPRESSWAY)
GARFIELD BLVD TO 31ST STREET (SB LOCAL LANES)

**ROADWAY DETAILS
BRIDGE PIER TREATMENT**

SCALE: NTS
DATE: 06/09/06
DRAWN BY: JDC
CHECKED BY: RS

RDT-2B

12/05/04 PM 6/8/2006