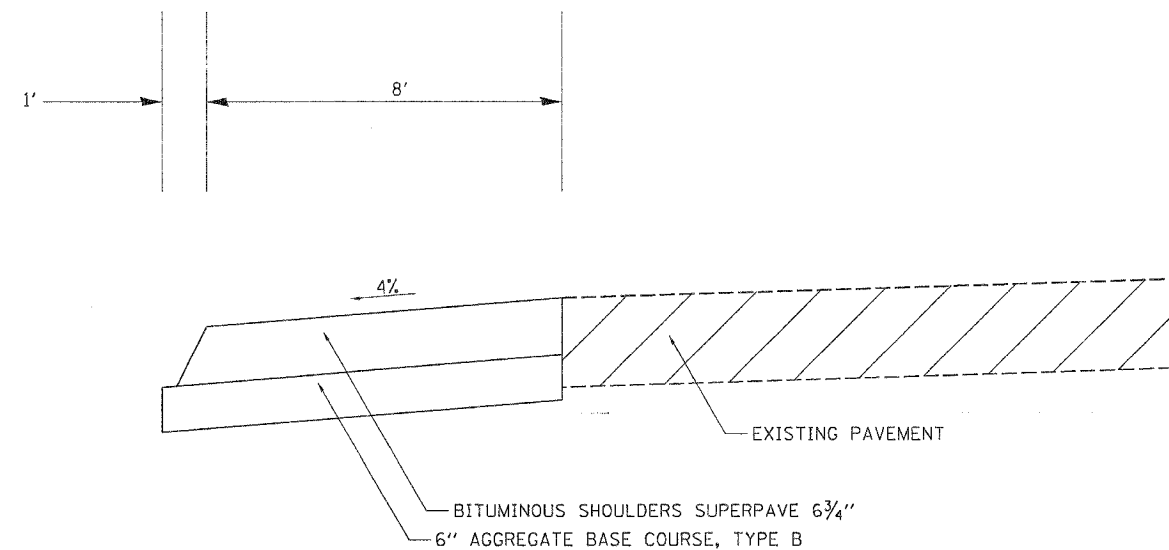


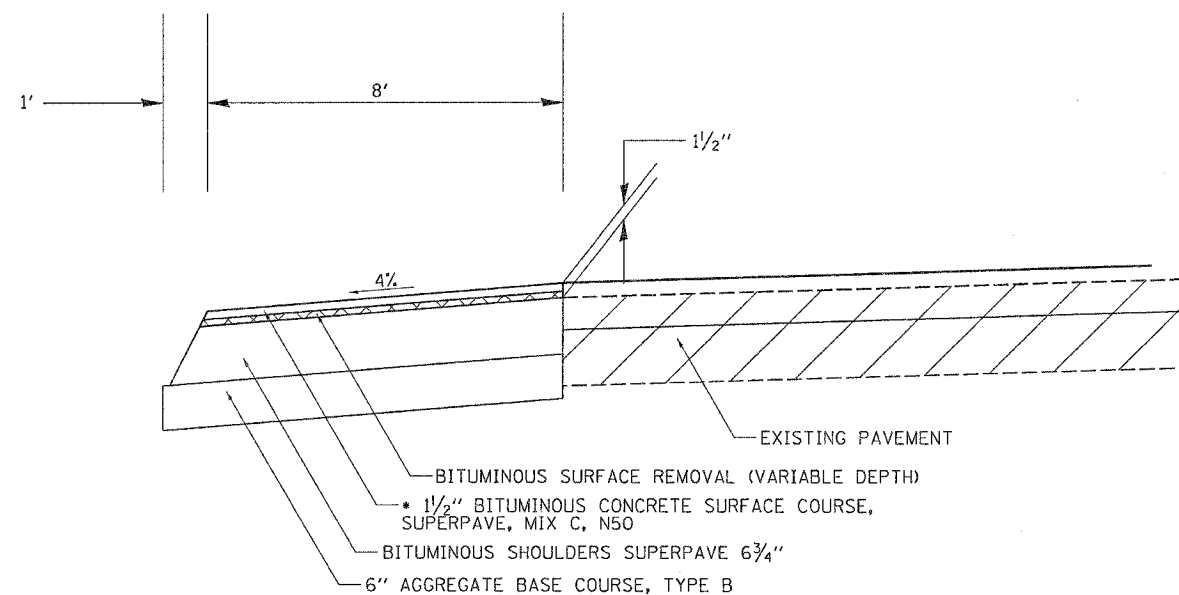
F.A.P. RTE.	SECTION	COUNTY	TOTAL SHEETS	SHEET NO.
598	026-150IM	ROCK ISLAND	116	14
STA.		TO STA.		
FED. ROAD DIST. NO.	ILLINOIS	FED. AID PROJECT		

TYPICAL SECTIONS

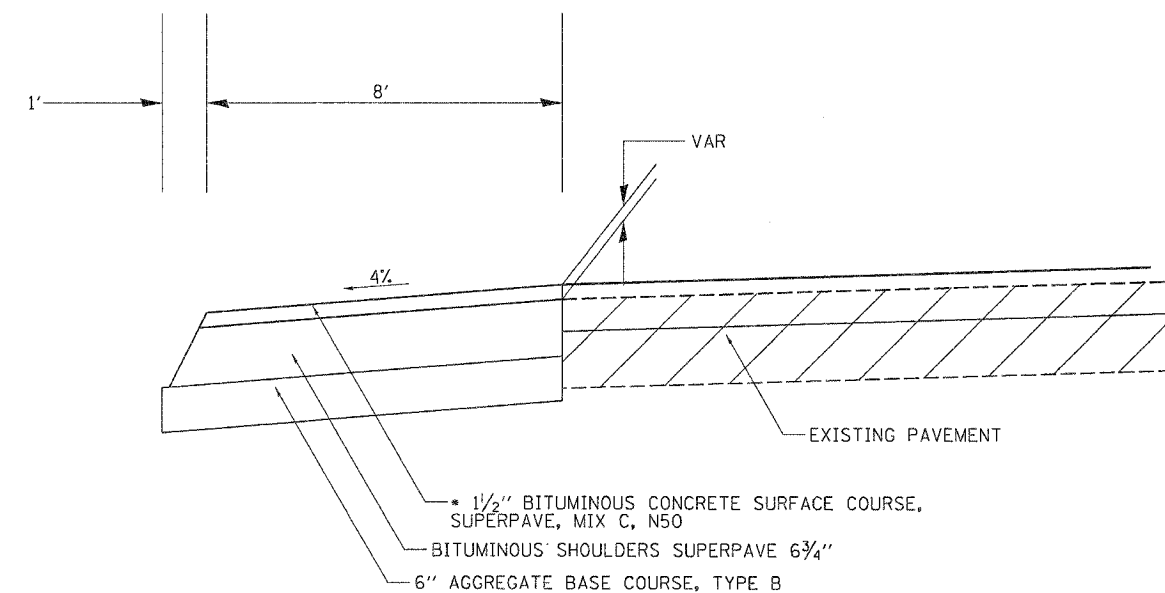
STAGE 1 SHOULDERS
LT STA. 1240+00.00 - STA. 1264+51.06



FINAL RESURFACING OF NORTH SIDE SHOULDER
STA. 1240+00.00 - STA. 1247+50.00
STA. 1253+00.00 - STA. 1259+50.00



FINAL RESURFACING OF NORTH SIDE SHOULDER
STA. 1247+50.00 - STA. 1253+00.00
STA. 1259+50.00 - STA. 1264+51.06



PLOT DATE = Wed Jun 21 13:11:17 2006
FILE NAME = c:\p\0\res\026150im\081704.dgn
PLOT SCALE = 50.0000 / 1 IN.
USER NAME = mg111