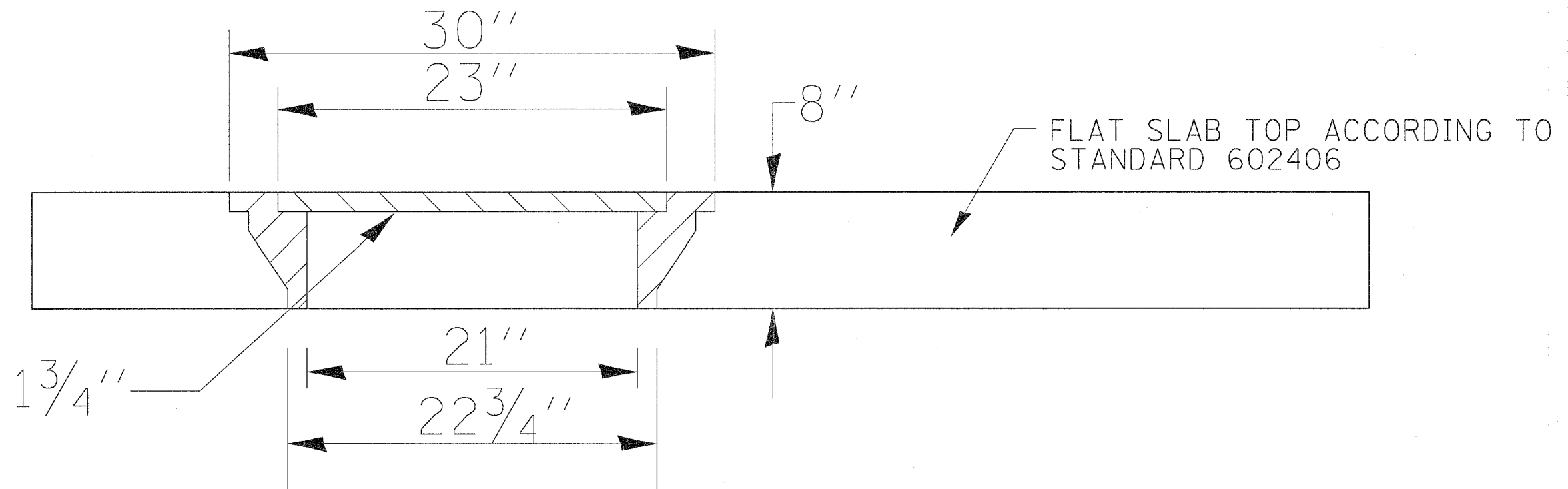


F.A.P. RTE.	SECTION	COUNTY	TOTAL SHEETS	SHEET NO.
699	(25-150)M	ROCK ISLAND	116	31
STA.		TO STA.		
FED. ROAD DIST. NO.		ILLINOIS FED. AID PROJECT		

# HEAVY DUTY MANHOLE CASTING DETAIL



NOTE:

THE COST FOR HEAVY DUTY MANHOLE CASTING SHALL BE INCLUDED IN THE CONTRACT UNIT PRICE EACH FOR MANHOLE TYPE A, 6'

NEENAH NO. R-6035 OR EQUIVALENT

REVISIONS	
NAME	DATE

ILLINOIS DEPARTMENT OF TRANSPORTATION

SCALE: VERT. HORIZ. DATE

DRAWN BY CHECKED BY

PLOT DATE = Wed Jun 21 13:03:16 2006  
 FILE NAME = c:\p\projects\2007\146778\p1.dgn  
 PLOT SCALE = 20:0000 1/1 IN.  
 USER NAME = megilly