

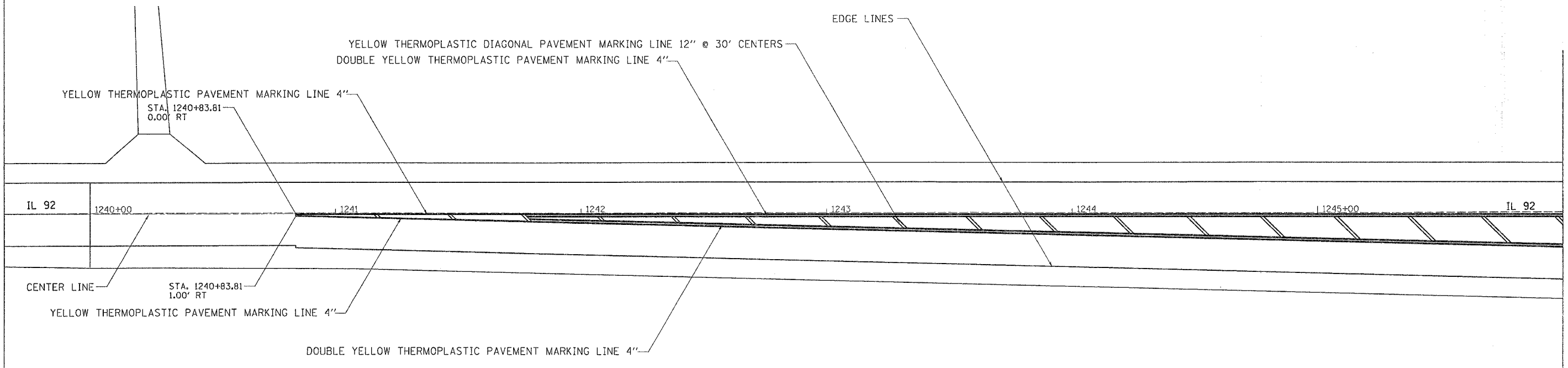
PAVEMENT MARKING DETAILS

CONTRACT NO. 64A46				
F.A.P. RTE.	SECTION	COUNTY	TOTAL SHEETS	SHEET NO.
599	26-15D1M	ROCK ISLAND	116	77
STA.		TO STA.		
FED. ROAD DIST. NO.		ILLINOIS	FED. AID PROJECT	



DeJONGE

HAROLD R. BAYNE



MATCH LINE = STA. 1246+00

JAMES E. LAWSON

PLOT DATE = Wed Jun 21 10:26:15 2006
 FILE NAME = C:\pavement\64A46\pavement.dgn
 PLOT SCALE = 20.0000 / 1 IN.
 USER NAME = meg111

REVISIONS	
NAME	DATE

ILLINOIS DEPARTMENT OF TRANSPORTATION

SCALE: VERT.
HORIZ.
DATE

DRAWN BY
CHECKED BY

PAVEMENT MARKING DETAILS