

CONTRACT NO. 68430				
F.A.S.	SECTION	COUNTY	TOTAL SHEETS	SHEET NO.
1379	(108-B-1) BR	STARK	43	6
STA. 46+00		TO STA. 63+50		
FED. ROAD DIST. NO.	ILLINOIS	IL 91		

JACK CREEK SEC (108-B-1) BR

STRUCTURAL DESIGN DATA

STRUCTURAL DESIGN TRAFFIC: YEAR 2012

PV= 1519 SU= 23 MU= 23

ROAD/STREET CLASSIFICATION: CLASS III

PERCENT OF STRUCTURAL DESIGN TRAFFIC IN DESIGN LANE:

P= 0.5 S= 0.5 M= 0.5

TRAFFIC FACTOR: ACTUAL TF= 0.12

MINIMUM TF= AC TYPE= 10

SUBGRADE SUPPORT RATING:

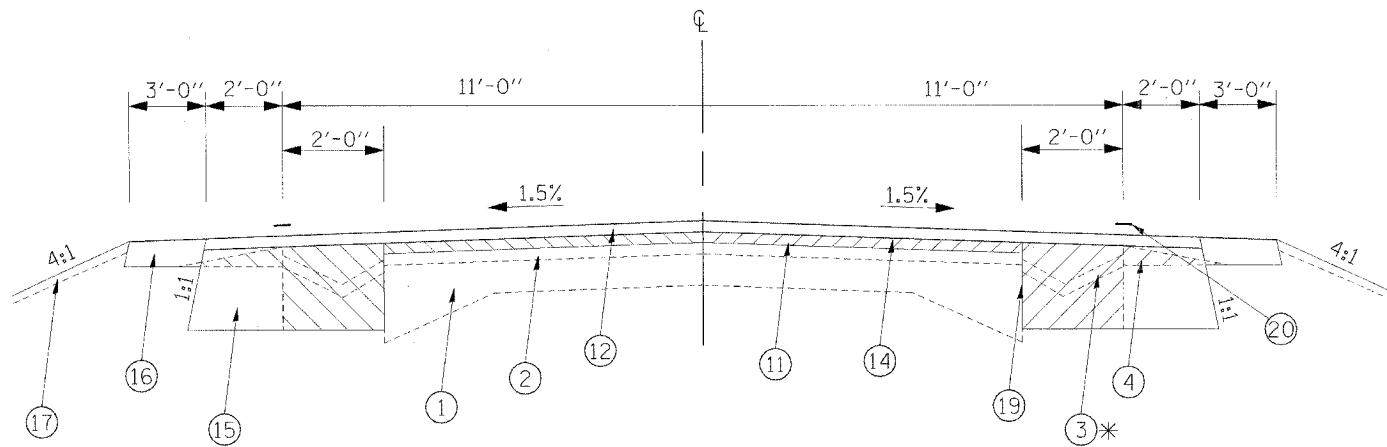
SSR= POOR (STA _____ TO _____)

SSR= (STA _____ TO _____)

USE: BITUMINOUS CONCRETE SURFACE COURSE, SUPERPAVE, MIX "C", N50 2"

BITUMINOUS CONCRETE BINDER COURSE, (TONAGE) SUPERPAVE, IL-19.0, N50, 8 1/2"

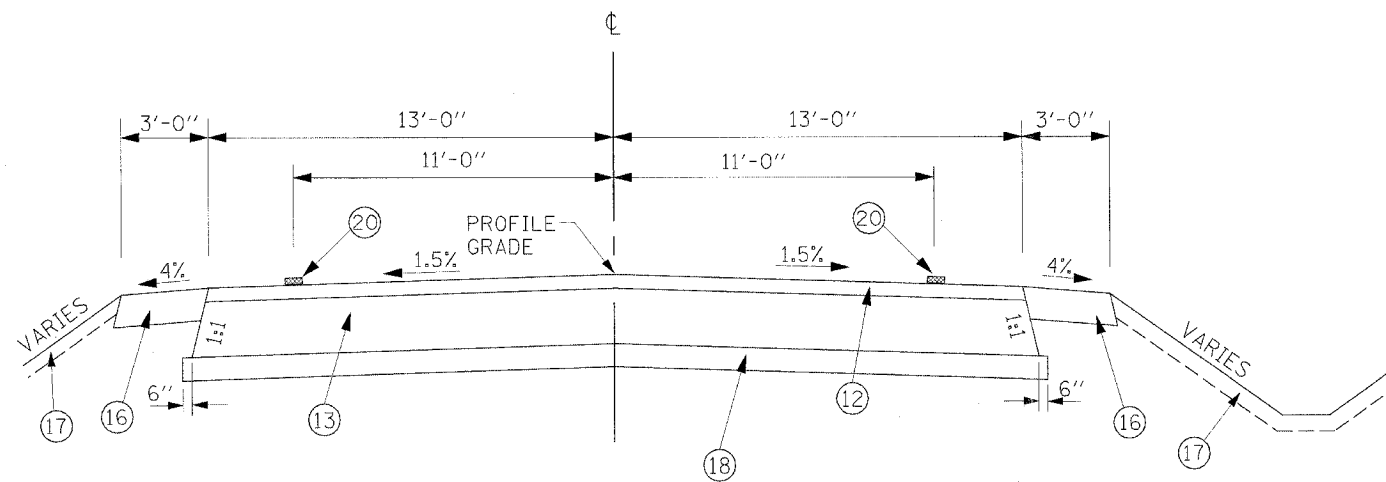
SUB-BASE GRANULAR MATERIAL, TYPE B, 4"



JACK CREEK PROP TYPICAL SECTION

STA 46+00.00 TO STA 50+80.00
STA 51+80.00 TO STA 61+05.00
STA 61+65.00 TO STA 63+50.00

* BURRIED GUTTER
COST OF REMOVAL
INCLUDED WITH PAVEMENT REMOVAL
STA. 46+00 TO STA. 46+50
STA. 61+08 TO STA. 63+50



JACK CREEK PROP TYPICAL SECTION

STA 50+80.00 TO STA 51+80.00
STA 61+05.00 TO STA 61+65.00

LEGEND

- ① EXISTING 9-6-9 CONCRETE PAVEMENT
- ② EXISTING BITUMINOUS OVERLAY
- ③ EXISTING BITUMINOUS WIDENING OR BURRIED GUTTER TO BE REMOVED
- ④ EXISTING AGGREGATE SHOULDERS OR GUTTER TYPE A (MODIFIED) TO BE REMOVED
- ⑪ PROPOSED BITUMINOUS SURFACE REMOVAL 2"
- ⑫ PROPOSED BITUMINOUS CONC. SURFACE COURSE SUPERPAVE MIX "C", N 50 (2")
- ⑬ PROPOSED BITUMINOUS CONC. BINDER COURSE SUPERPAVE IL 19.0, N 50 (8 1/2")
- ⑭ PROPOSED LEVELING BINDER (M.M) SUPERPAVE N50 (3/4")
- ⑮ PROPOSED BITUMINOUS BASE COURSE WIDENING SUPERPAVE 10"
- ⑯ PROPOSED AGGREGATE SHOULDERS TYPE B 6"
- ⑰ PROPOSED TOPSOIL FURNISH & REPLACE, 4"
- ⑱ PROPOSED SUB-BASE GRANULAR MATERIAL TYPE B 4"
- ⑲ PROPOSED FULL DEPTH SAW CUT & PAVENMENT REMOVAL
- ⑳ PROPSED PAVEMENT MARKING LINE 4"

NOTE: SEE CROSS SECTIONS FOR DITCH ELEVATIONS.

REVISIONS	
NAME	DATE

ILLINOIS DEPARTMENT OF TRANSPORTATION

TYPICAL SECTIONS

SCALE: NO SCALE

DATE: 06-2004