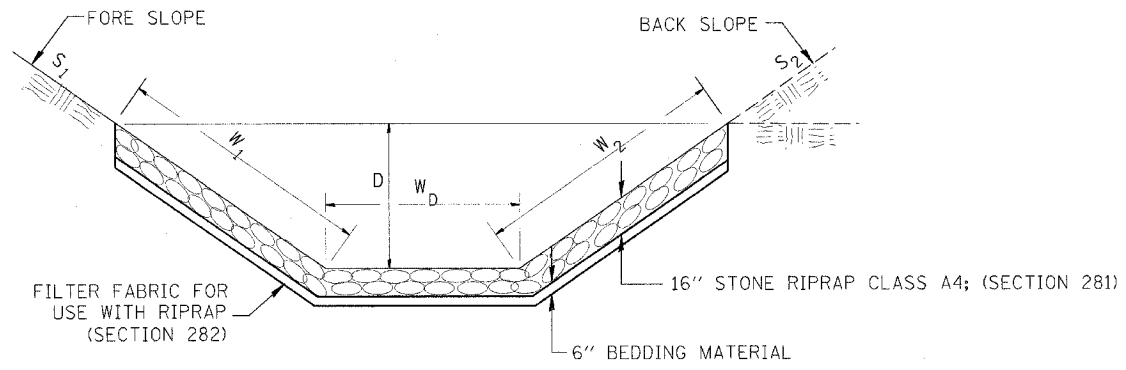


CONTRACT NO. 68430				
F.A.S. RTE.	SECTION	COUNTY	TOTAL SHEETS	SHEET NO.
1379	(108-B-1) BR	STARK	42	24
STA.	TO STA.			
	ILLINOIS	IL RTE 91		

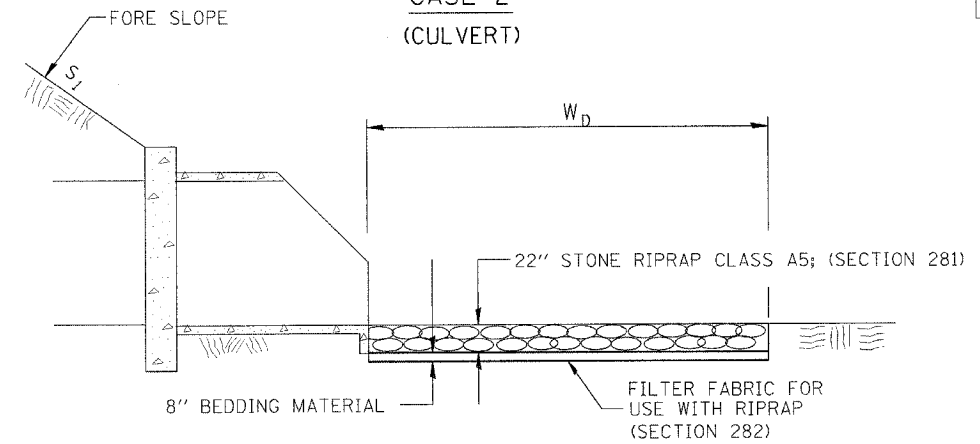
**CASE 1  
(DITCH)**



STONE RIPRAP CLASS A4				
LOCATION	WIDTH (1)	LENGTH	RIPRAP	FABRIC
STA TO STA	lin ft	lin ft	tons	sq yds
RT 51+12 TO 52+31	11.6	121	104	156
LT 61+28 TO 62+00	13.8	67	69	103
TOTAL			173	259

(1) WIDTH =  $W_1 + W_2 + W_D$

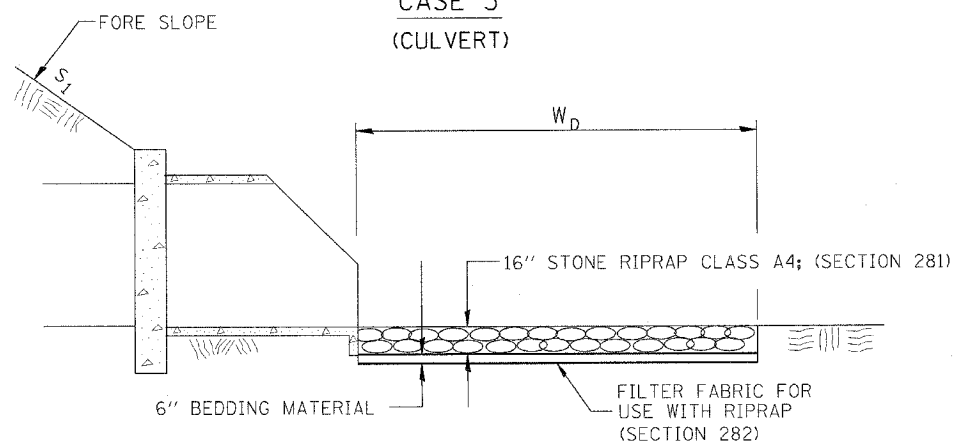
**CASE 2  
(CULVERT)**



STONE RIPRAP CLASS A5				
LOCATION	WIDTH (1)	LENGTH	RIPRAP	FABRIC
STA TO STA	lin ft	lin ft	tons	sq yds
LT 51+44 TO 52+45	25	79	202	220
TOTAL			202	220

(1) WIDTH =  $W_D$

**CASE 3  
(CULVERT)**



STONE RIPRAP CLASS A4				
LOCATION	WIDTH (1)	LENGTH	RIPRAP	FABRIC
STA TO STA	lin ft	lin ft	tons	sq yds
RT 50+47 TO 51+18	10	67	49	74
RT 61+16 TO 61+65	18.4	46	63	94
LT 61+06 TO 61+40	21.5	21	33	50
TOTAL			119	180

(1) WIDTH =  $W_D$

All slope ratios are expressed as units of vertical displacement to units of horizontal displacement (V:H).

All dimensions are in millimeters (inches) unless otherwise noted.

ILLINOIS DEPARTMENT OF TRANSPORTATION  
SPECIAL DETAIL SHEET

**RIPRAP DITCH FOR EROSION PROTECTION**

CADD DETAIL 281001-D4  
SCALE: NOT DRAWN TO SCALE  
DRAWN BY CADD  
CHECKED BY

DATE	REVISIONS	BY
1-1-97	RENUM. A-12.02, NEW REVISION BOX	T.P.
12-1-97	CORRECT FILTER FABRIC LEADER ARROW	J.A.

DATE \*\*DATE\*\*

Designer NOTES:  
1. Designer to modify this Special Detail Sheet, as needed for inclusion in plans.  
2. (\*) Designer to specify pay item including material, quality, and gradation.  
3. (\*\*) Designer to specify thickness of bedding material.  
4. Include District Special Provision if needed.

\$\$\$DATE\$\$\$