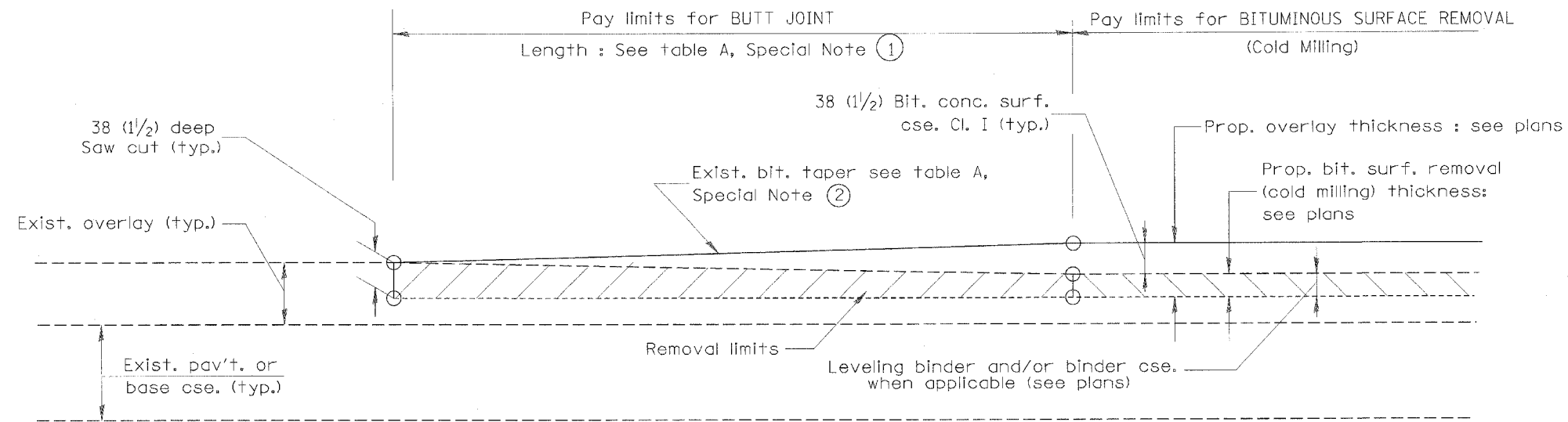
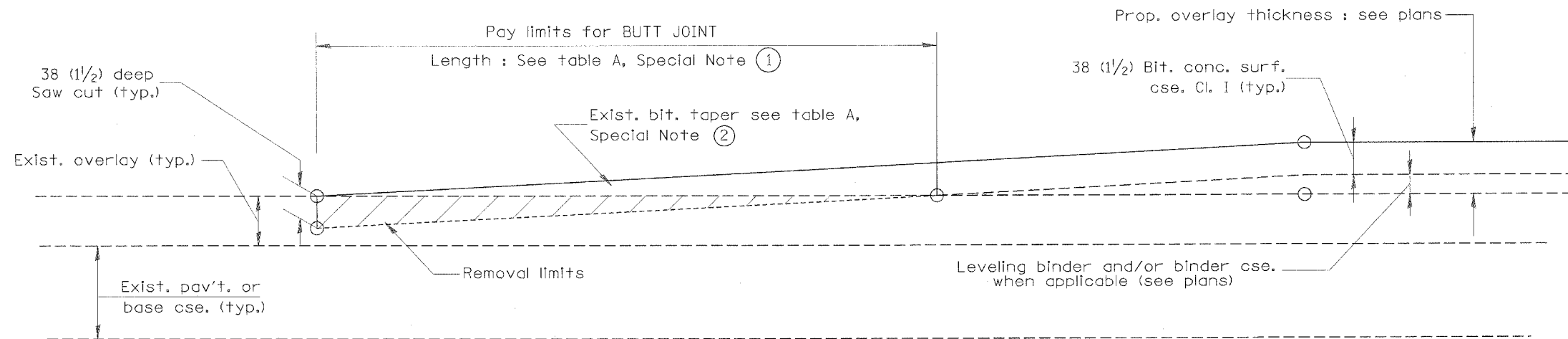


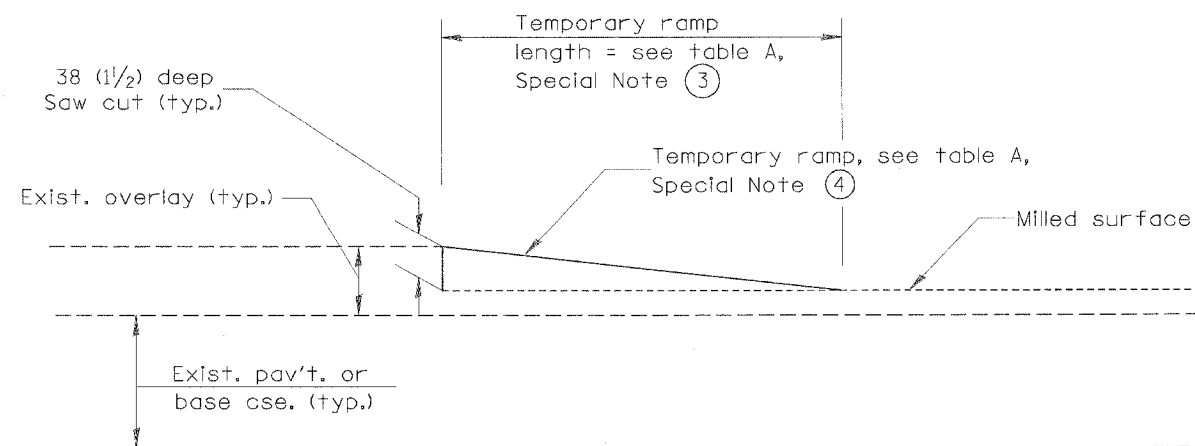
CONTRACT NO. 68430				
F.A.S. RTE.	SECTION	COUNTY	TOTAL SHEETS	SHEET NO.
1379	(108-B-1) BR	STARK	43	26
STA.		TO STA.		
		ILLINOIS IL RTE 91		



**CASE 3 : WITH BITUMINOUS SURFACE REMOVAL (COLD MILLING)
TIE-IN TO EXISTING BITUMINOUS TAPER**



**CASE 4 : NO BITUMINOUS SURFACE REMOVAL (COLD MILLING)
TIE-IN TO EXISTING BITUMINOUS TAPER**



DETAIL TEMPORARY RAMP

All dimensions are in millimeters (inches) unless otherwise noted.

ILLINOIS DEPARTMENT OF TRANSPORTATION
DISTRICT CADD STANDARD

BUTT JOINTS

CADD STD NO. 406101-D4 SHEET 2 OF 2
SCALE: NOT DRAWN TO SCALE DRAWN BY CADD
DATE **DATE** CHECKED BY

406101-D4 (2)

\$\$\$DATE\$\$\$