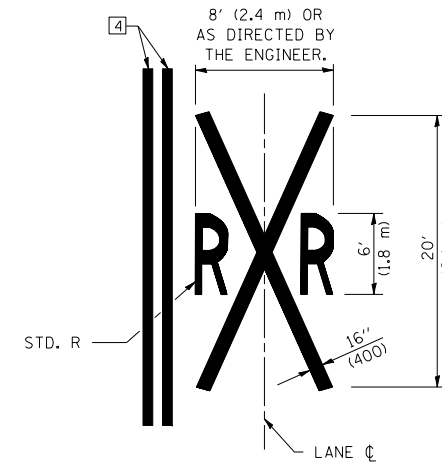
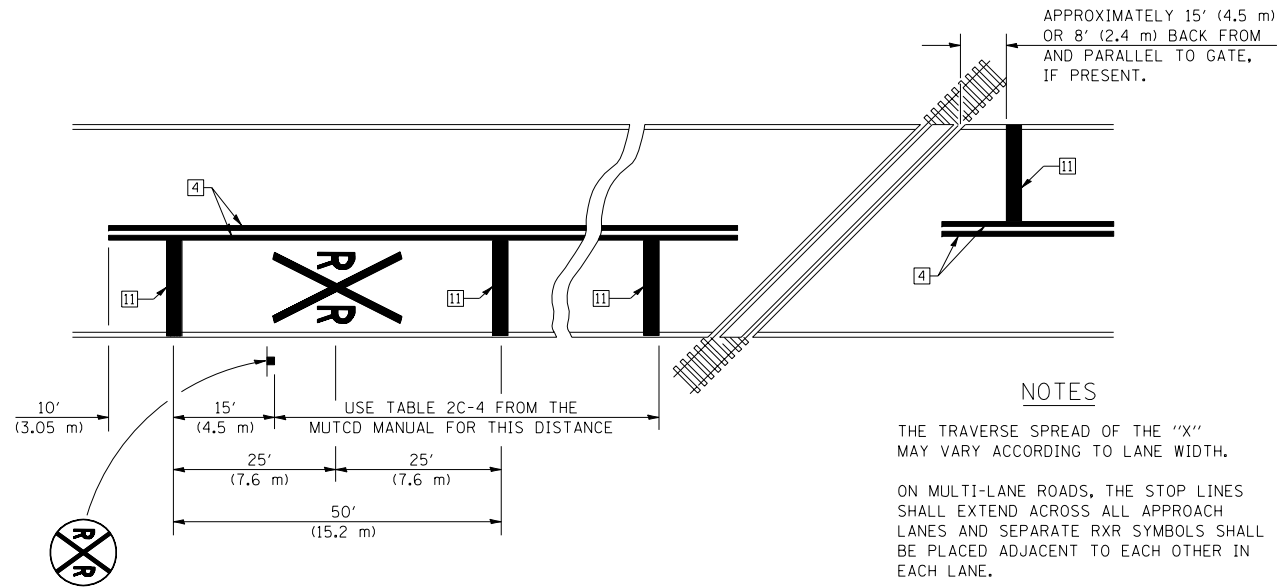


F.A.S. RTE.	SECTION	COUNTY	TOTAL SHEETS	SHEET NO.
516	241BR & 56BR	CHAMPAIGN	82	82
STA.		TO STA.		
FED. ROAD DIST. NO.	ILLINOIS	FED. AID PROJECT		

### TYPICAL APPLICATIONS OF PAVEMENT MARKINGS AND MARKERS



**NOTES**

THE TRAVERSE SPREAD OF THE "X" MAY VARY ACCORDING TO LANE WIDTH.

ON MULTI-LANE ROADS, THE STOP LINES SHALL EXTEND ACROSS ALL APPROACH LANES AND SEPARATE R XR SYMBOLS SHALL BE PLACED ADJACENT TO EACH OTHER IN EACH LANE.

WHEN THE PAVEMENT MARKING SYMBOL IS USED, A PORTION OF THE SYMBOL SHOULD BE LOCATED DIRECTLY ADJACENT TO THE ADVANCE WARNING SIGN (W10-1) AS PLACED BY TABLE II-1, CONDITION B OF THE MUTCD.

PAVEMENT MARKINGS AT RAILROAD-HIGHWAY GRADE CROSSING

PLOT DATE = 7/6/2006  
 FILE NAME = c:\p\projects\4501304 (v8)\commander\alls.dgn  
 PLOT SCALE = 42.3529 / IN.  
 USER NAME = pierstonbr

**SHEET 4 OF 4**

	NAME	DATE	REVISIONS	
DESIGNED	J.M.H.	5/85	NAME	DATE
CHECKED	FMS	6/85	GEOMETRICS/K.A.G.	07/02
CADD NO.	F-5.25	6/88	K.A.G.	09/05

ALL DIMENSIONS ARE IN INCHES (MILLIMETERS) UNLESS OTHERWISE SHOWN.

ILLINOIS DEPARTMENT OF TRANSPORTATION  
TYPICAL APPLICATIONS OF PAVEMENT MARKINGS AND MARKERS  
 F.A.S. 516/(C.H. 12)  
 SECTION 241BR & 56BR  
 CHAMPAIGN COUNTY  
 Sheet 3 of 4  
 DATE: 05/16/06 SCALE: NOT TO SCALE