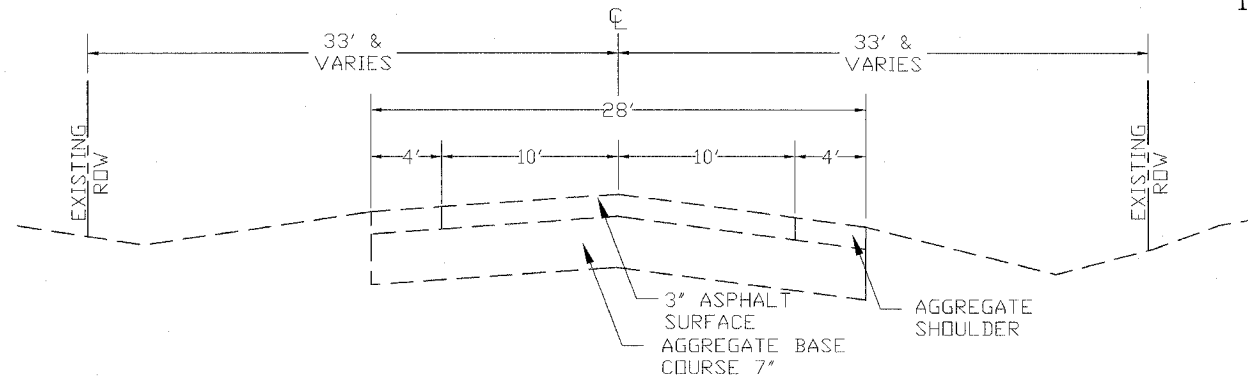


**EXISTING  
CROSS-SECTIONS  
NOT TO SCALE**

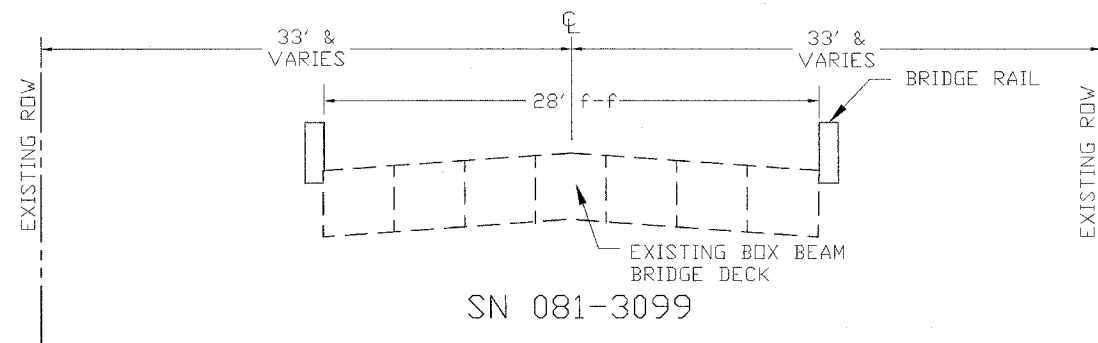
**85TH AVENUE WEST**

STA. 10+31 - 47+64  
STA. 48+26 - 73+60



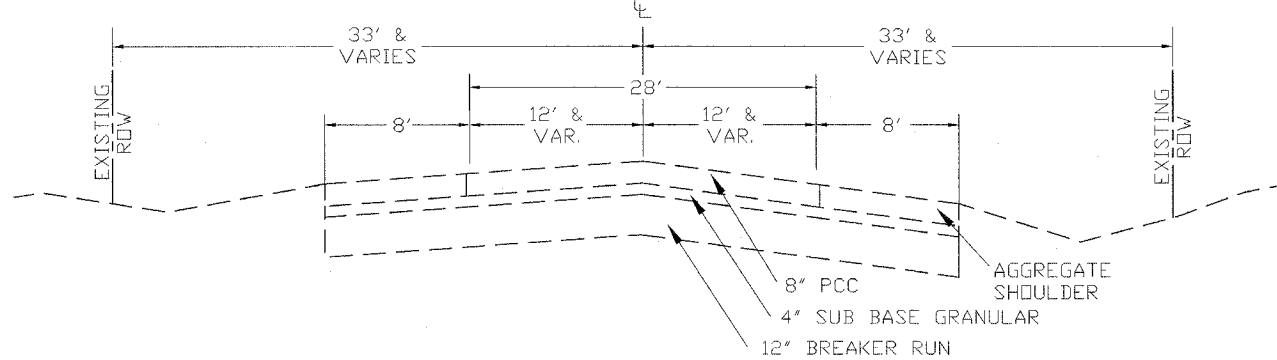
**85TH AVENUE WEST**

BRIDGE COMMISSION  
STA. 47+64 - 48+26



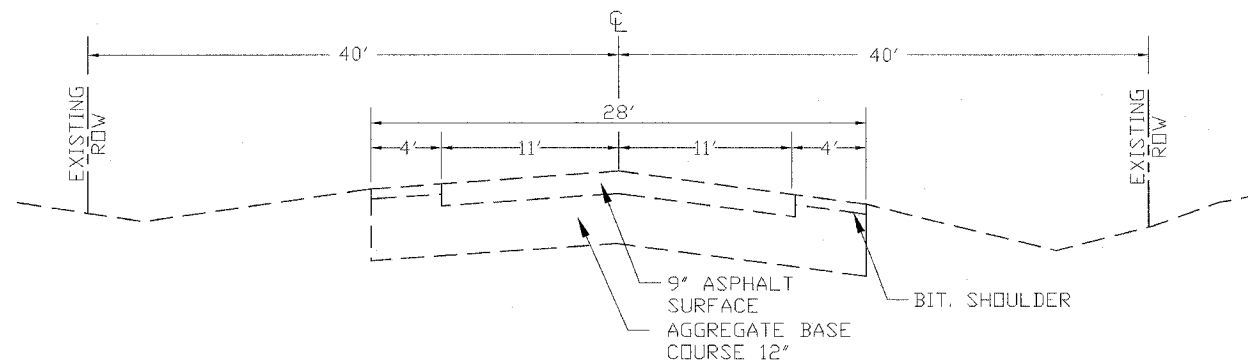
**85TH AVENUE WEST**

STA. 73+60 - 75+58.82



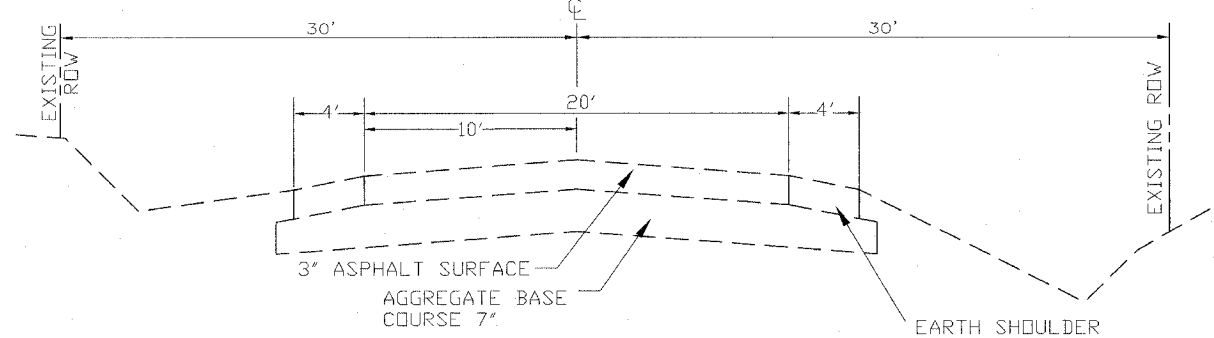
**TURKEY HOLLOW**

STA. 200+00 - 208+00



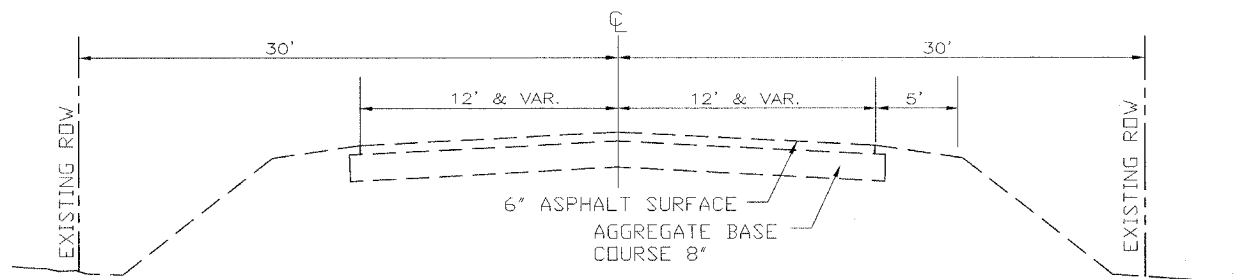
**51ST STREET**

STA. 100+00 - 100+75



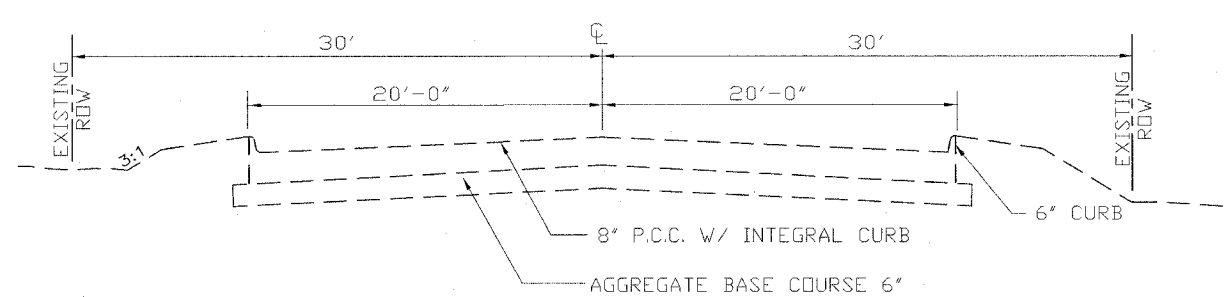
**51ST STREET**

STA. 101+30 - 104+89.26



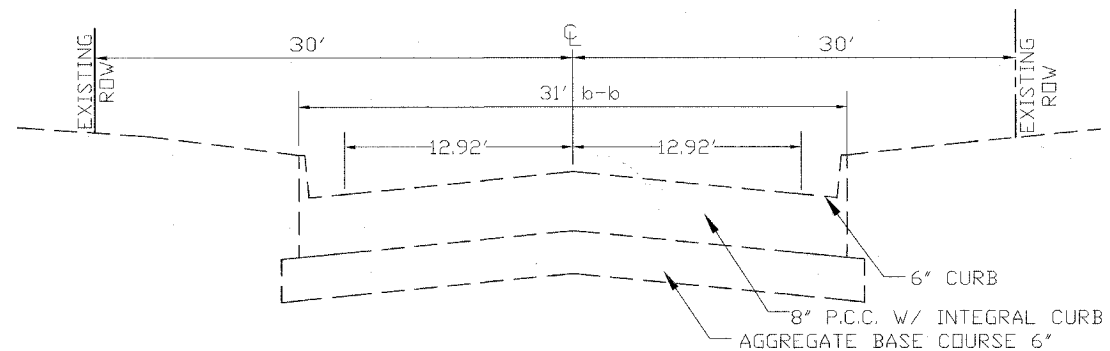
**51ST STREET**

STA. 104+89.26



**42nd STREET**

STA. 2+00 - 3+05.54



REVISIONS	DATE
No.	
DESCRIPTION	

**Missman**  
STANLEY & ASSOCIATES, P.C.  
Civil Engineering-Environmental Services-GIS-Landscape Architecture-Surveying  
1011 27th Avenue  
Rock Island, Illinois 61201-6040  
Phone (309) 786-7644  
Fax (309) 786-7681

85TH AVE WEST  
ROCK ISLAND, ILLINOIS  
EXISTING TYPICAL SECTIONS

Missman Project No:  
A-04-T023  
File Name:  
2037A\_TYP.DWG  
© COPYRIGHT 2005  
ALL RIGHTS RESERVED  
Drawn By: WEF  
Checked By: DMR  
Date: MAY, 2006

G:\R\2005\A-04T023-85AVE WEST\4-9\2037A\_TYP.dwg 6/6/2006 8:55:54 AM