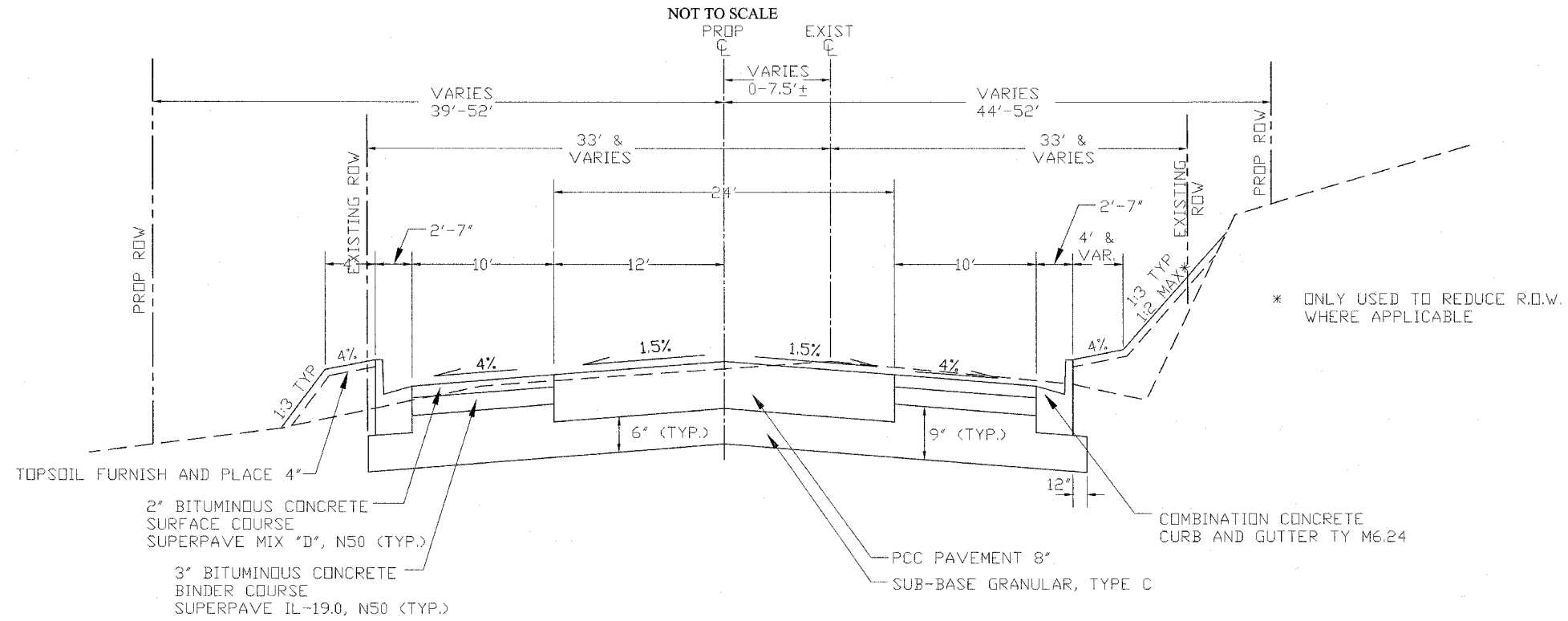
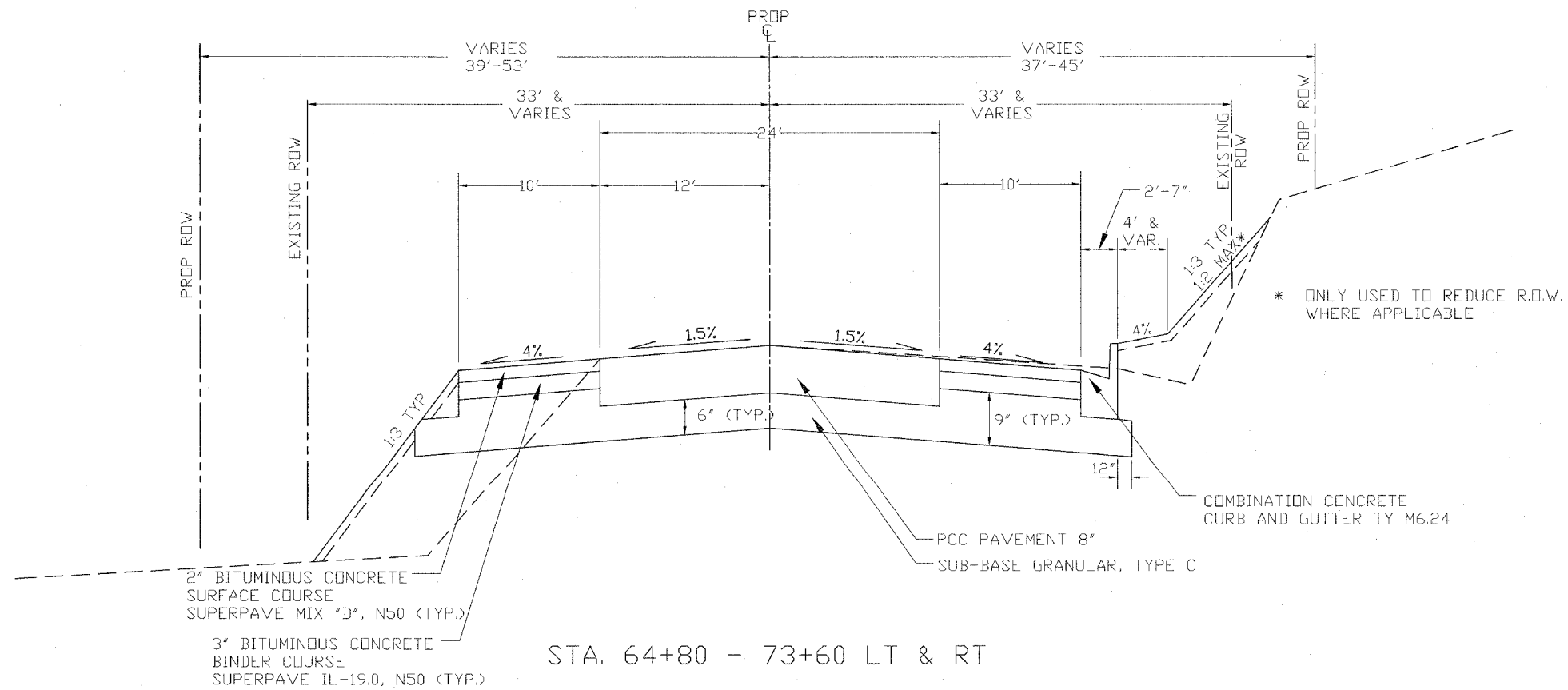


### TYPICAL PAVING CROSS-SECTIONS 85TH AVENUE WEST



STA. 52+50 - 64+80 LT & RT



STA. 64+80 - 73+60 LT & RT

REVISIONS	DATE
No.	
DESCRIPTION	

**Missman**  
STANLEY & ASSOCIATES, P.C.

Civil Engineering - Environmental Services - GIS - Landscape Architecture - Surveying  
1011 27th Avenue  
Rock Island, Illinois 61201-6040  
Phone (309) 786-7644  
Fax (309) 786-7681

85TH AVE WEST  
ROCK ISLAND, ILLINOIS

85TH AVE PROPOSED TYPICAL SECTIONS

Missman Project No:  
A-04-T023

File Name:  
2037A\_TYP.DWG

© COPYRIGHT 2005  
ALL RIGHTS RESERVED

Drawn By: WEF

Checked By: DMR

Date: MAY, 2006