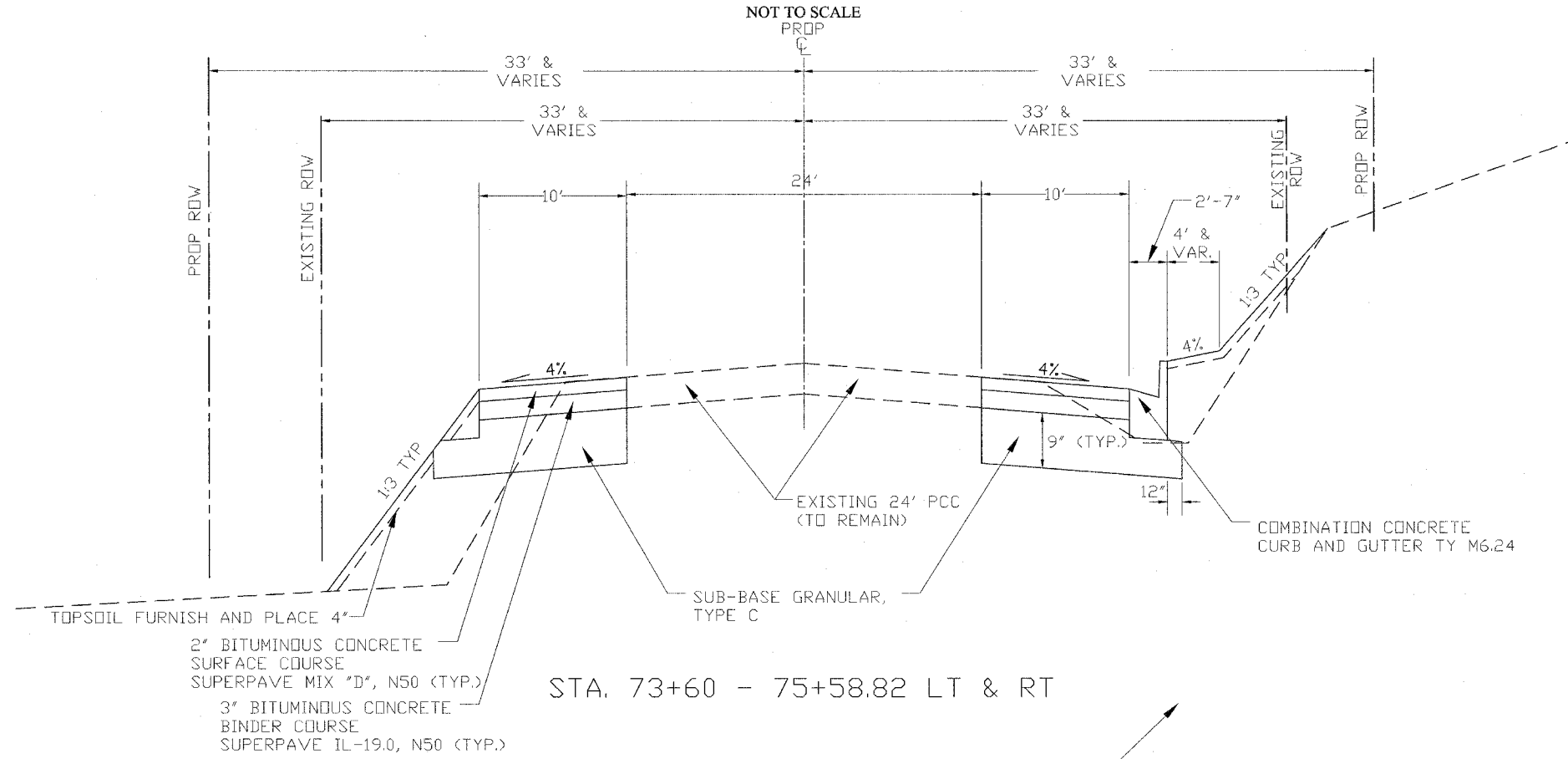
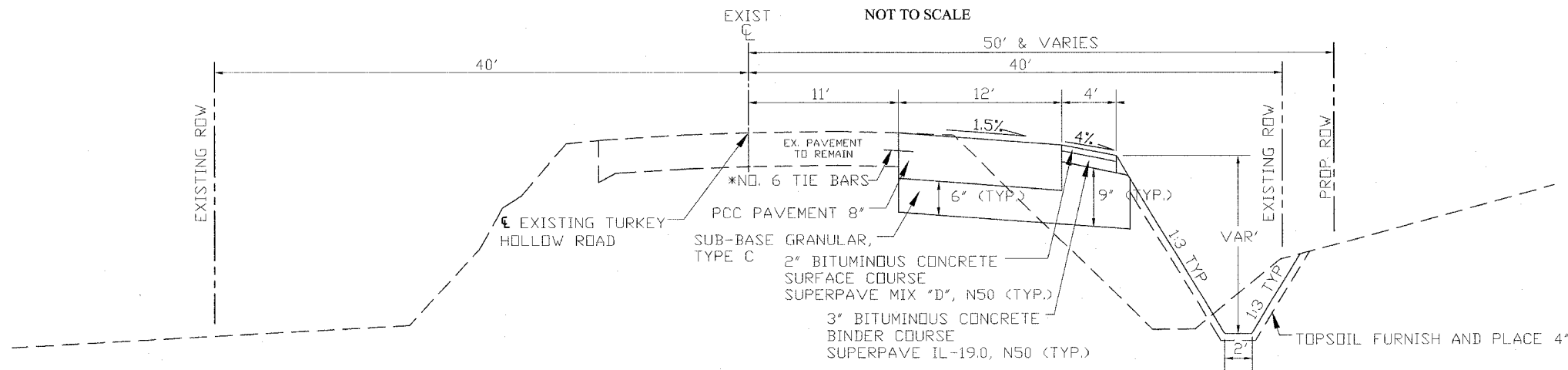


TYPICAL PAVING CROSS-SECTIONS 85TH AVENUE WEST



TYPICAL PAVING CROSS-SECTIONS PROPOSED RIGHT TURN LANE ALONG TURKEY HOLLOW ROAD



*INSTALL TIE BARS INTO ADJACENT PCC BASE COURSE IF PRESENT @ 30' CENTERS
STA. 200+00 - 205+00 RT

REVISIONS	DESCRIPTION	DATE
No.		

Missman
STANLEY & ASSOCIATES, P.C.
Civil Engineering-Environmental Services-GIS-Landscape Architecture-Surveying
Rock Island, Illinois 61201-5040
1011 27th Avenue
Phone (309) 788-7644
Fax (309) 788-7644

85TH AVE WEST
ROCK ISLAND, ILLINOIS
85TH AVE PROPOSED TYPICAL SECTIONS

Missman Project No: A-04-T023
File Name: 2037A_TYP.DWG
© COPYRIGHT 2005 ALL RIGHTS RESERVED
Drawn By: WEF
Checked By: DMR
Date: MAY, 2006

C:\R\2004\4041023-85AVE WEST\c45\2037A_TYP.dwg, 6/9/2006 8:46:07 AM