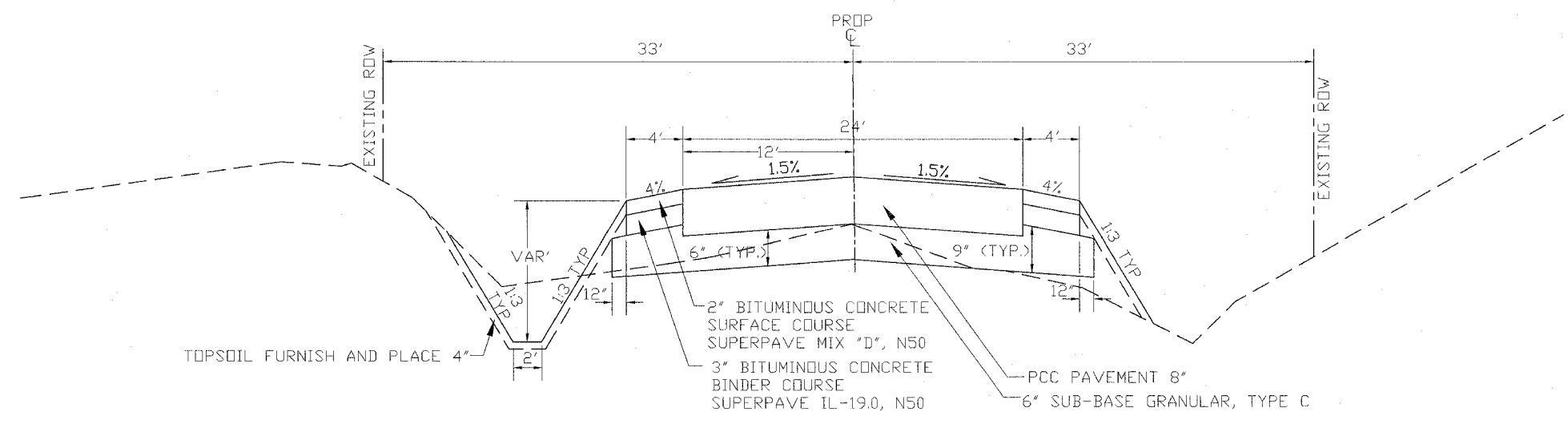


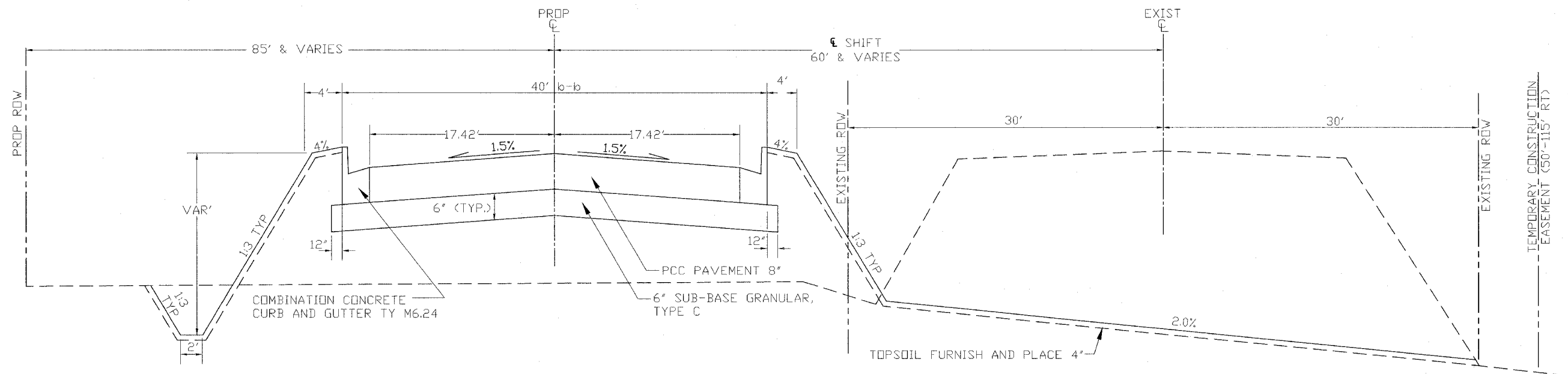
TYPICAL PAVING CROSS-SECTION

51ST STREET

NOT TO SCALE



STA. 100+00 - 100+75



STA. 101+12.8 - 104+89.26

REVISIONS	
No.	DESCRIPTION

Missman
STANLEY & ASSOCIATES, P.C.

Civil Engineering - Environmental Services - GIS - Landscape Architecture - Surveying
1011 27th Avenue
Rock Island, Illinois 61201-6040
Phone (309) 788-7644
Fax (309) 788-7691

85TH AVE WEST
ROCK ISLAND, ILLINOIS

51ST ST PROPOSED TYPICAL SECTIONS

Missman Project No:
A-04-T023

File Name:
2037A_TYP.DWG

© COPYRIGHT 2005
ALL RIGHTS RESERVED

Drawn By: WEF

Checked By: DMR

Date: MAY, 2006

C:\R\2004\A04T023-85AVE_WEST\A04T023_TYP.dwg, 6/6/2006 8:46:12 AM