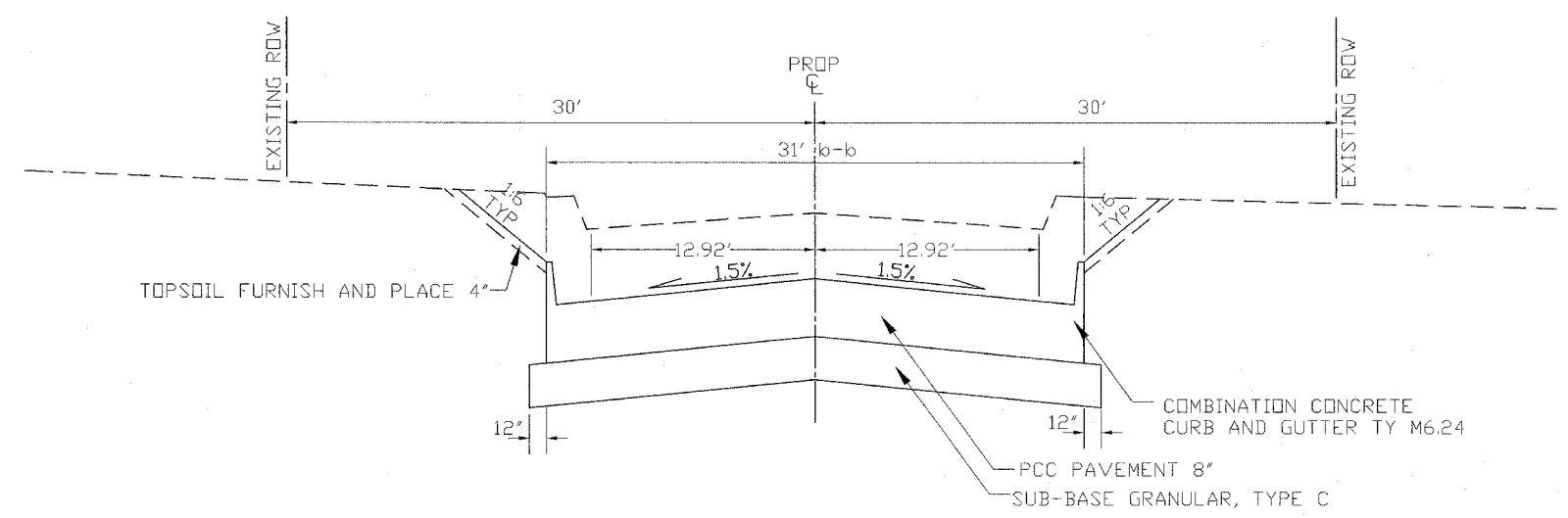


TYPICAL PAVING CROSS-SECTION
42nd STREET
 NOT TO SCALE



STA. 2+00 - 3+05.54

REVISIONS

No.	DESCRIPTION	DATE



Civil Engineering - Environmental Services - GIS - Landscape Architecture - Surveying
 1011 27th Avenue
 Rock Island, Illinois 61201-5040
 Phone (309) 788-7644 Fax (309) 788-7681

85TH AVE WEST
 ROCK ISLAND, ILLINOIS

42ND ST PROPOSED TYPICAL SECTION

Missman Project No:
 A-04-T023

File Name:
 2037A_TYP.DWG

© COPYRIGHT 2005
 ALL RIGHTS RESERVED

Drawn By: WEF

Checked By: DMR

Date: MAY, 2006

C:\RA\2004\ART023-85AVE WEST\dwg\2037A_TYP.dwg 6/16/2006 8:46:17 AM