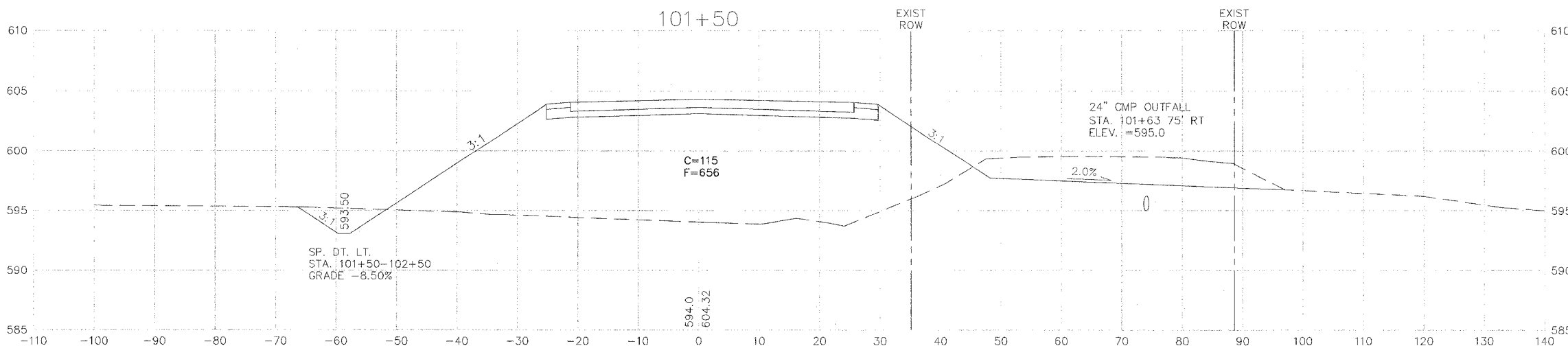
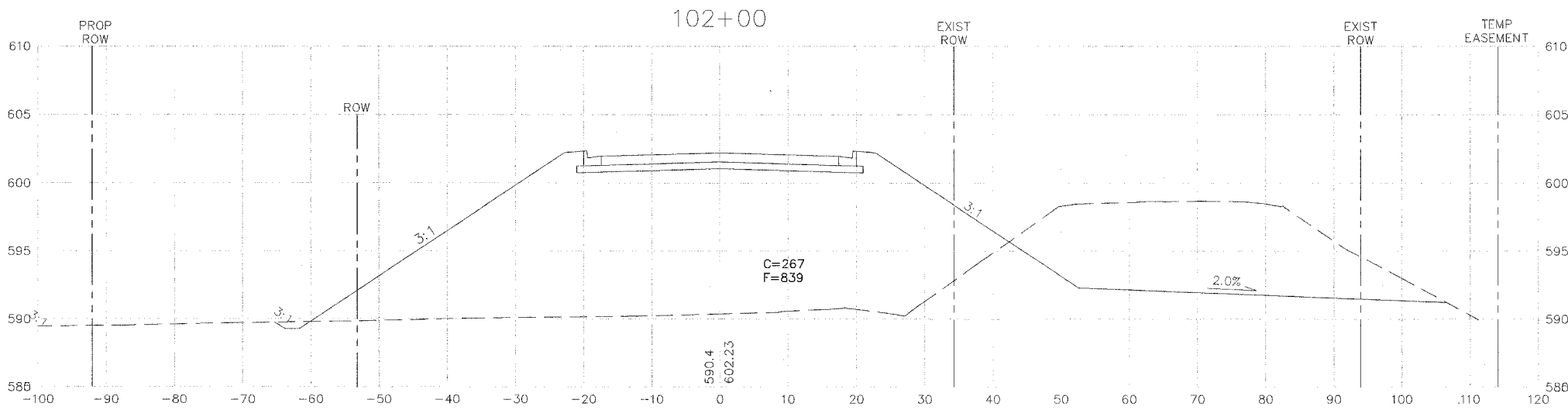
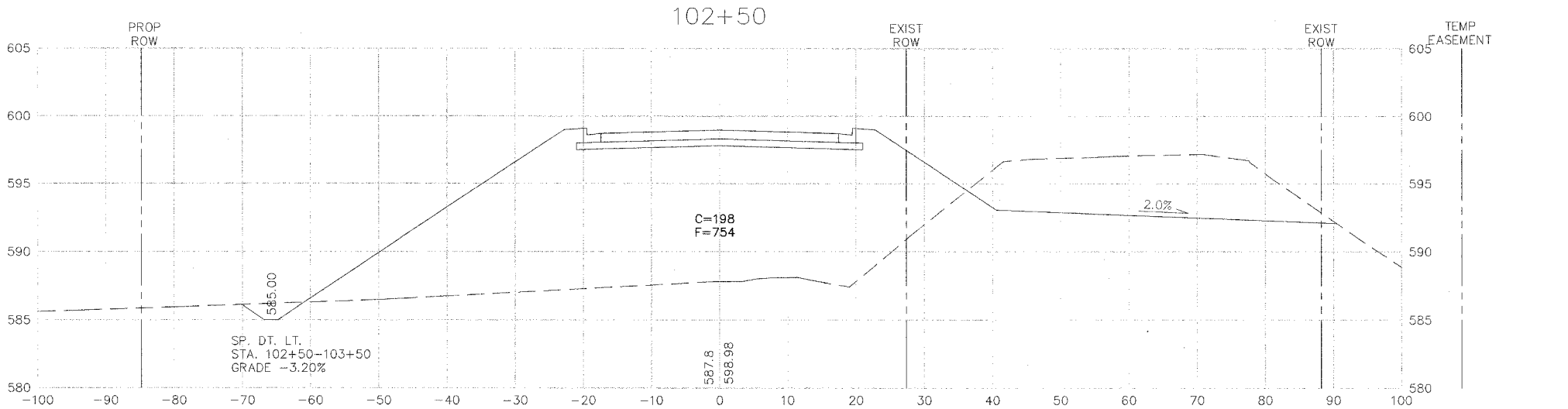


REVISIONS	
No.	DESCRIPTION



85th AVE WEST
Rock Island, Illinois
51st St. Cross Sections

Missman Project No:
A04-T023
File Name:
2037A_Cross Sec.dwg
© COPYRIGHT 2003
ALL RIGHTS RESERVED
Drawn By: wef
Checked By: drm
Date: MAY 21, 2006



G:\R1\2004\A04-T023-85392\MISMAN\2037A_Cross_Sec.dwg 6/6/2006 9:05:41 AM