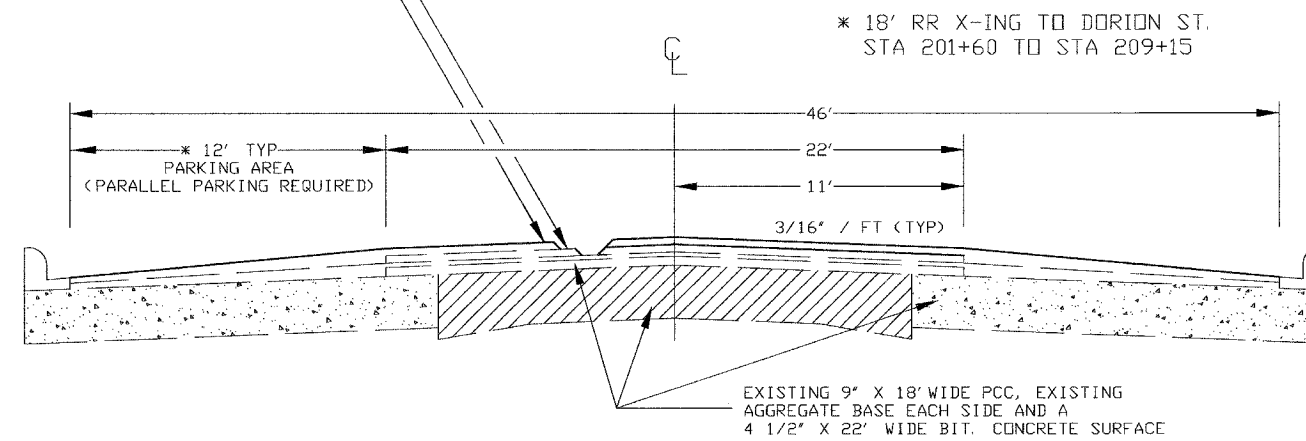


ROUTE NO.	SECTION	COUNTY	TOTAL SHEETS	SHEET NO.
FAS 322	04-00235-02-RS	IRROQUOIS	6	4
F. H. W. A. REG. 4 ILLINOIS			PROJECT RS-322(107)	

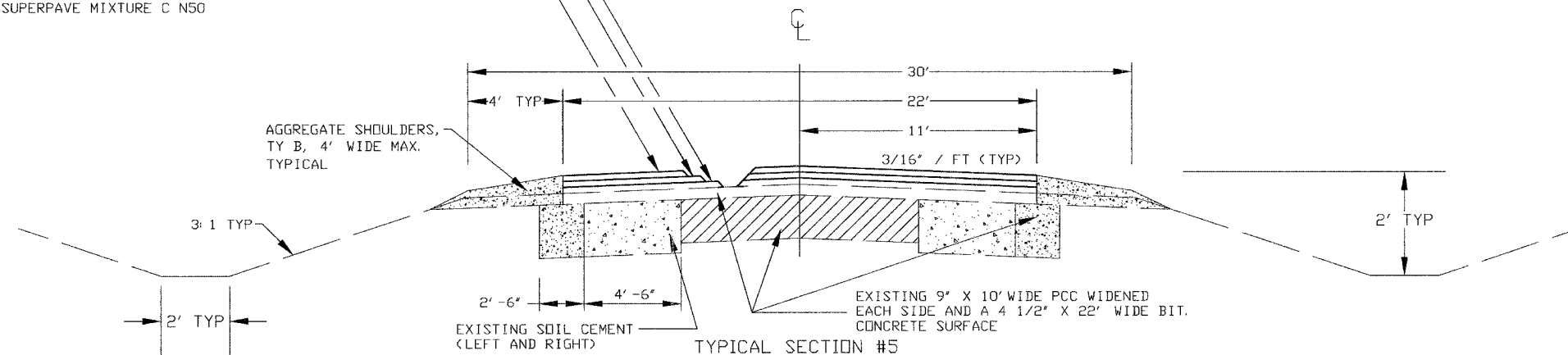
CONTRACT 87284

0.75' PLUS 56 LBS/SQ YD CROWN CORRECTION LEVELING BINDER  
MACHINE METHOD, SUPERPAVE IL-9.5 N50  
1.25' BITUMINOUS CONCRETE SURFACE COURSE,  
SUPERPAVE MIXTURE C N50



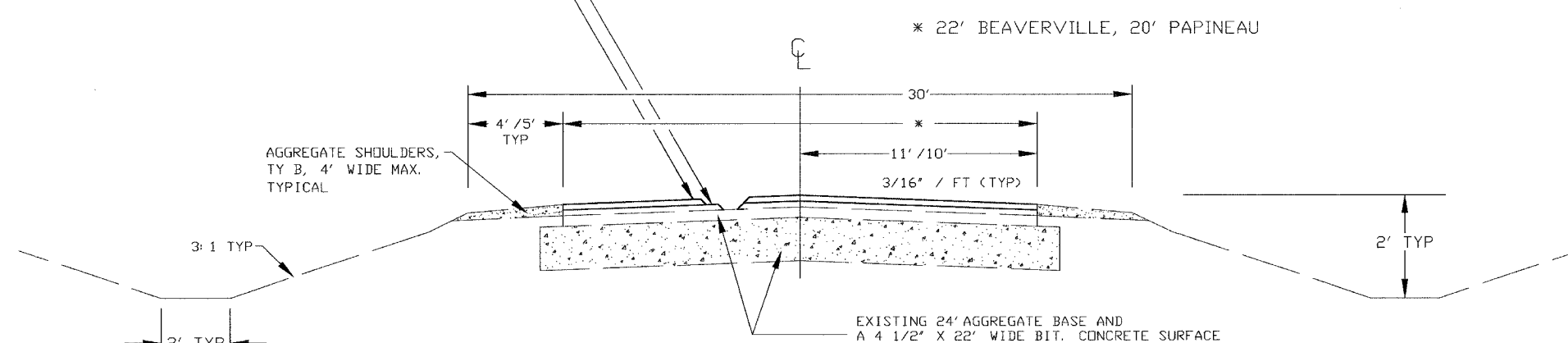
TYPICAL SECTION #4  
STATION 201+58.8 TO 218+76.5

0.75' PLUS 56 LBS/SQ YD CROWN CORRECTION LEVELING BINDER  
MACHINE METHOD, SUPERPAVE IL-9.5 N50  
2.25' BITUMINOUS CONCRETE BINDER COURSE,  
SUPERPAVE, IL-19.0, N50  
1.25' BITUMINOUS CONCRETE SURFACE COURSE,  
SUPERPAVE MIXTURE C N50



TYPICAL SECTION #5  
STATION 218+76.5 TO 226+63

0.75' PLUS 86 LBS/SQ YD CROWN CORRECTION LEVELING BINDER  
MACHINE METHOD, SUPERPAVE IL-9.5 N50  
1.50' BITUMINOUS CONCRETE SURFACE COURSE,  
SUPERPAVE MIXTURE C N50



TYPICAL SECTION #6

TR 31A - BEAVERVILLE SIDE ROAD, STA 60+12 TO STA 65+00  
TR 290 - PAPINEAU SIDE ROAD, STA 10+00 TO STA 14+00