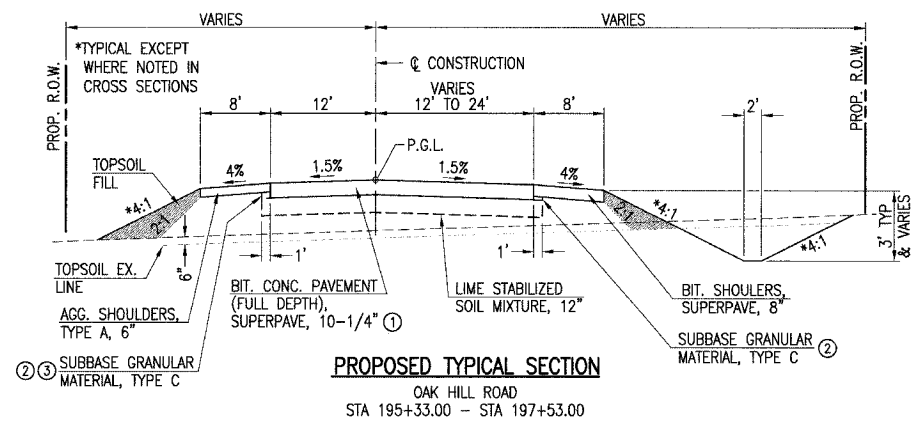
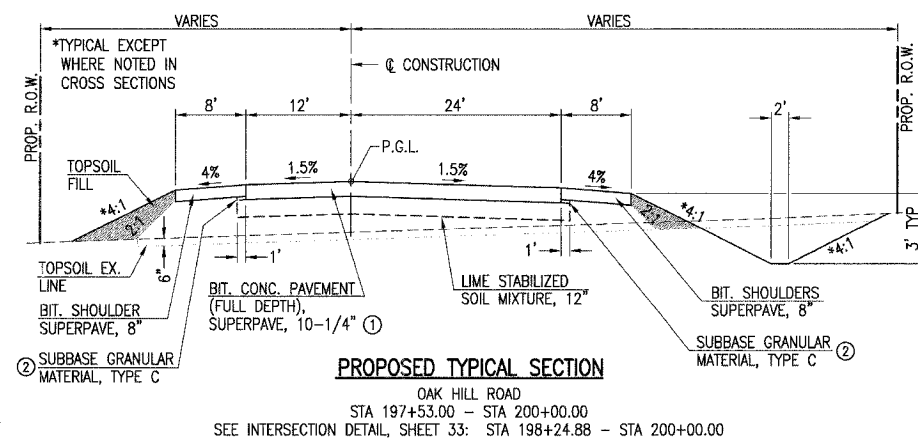


FAU RITE	SECTION	COUNTY	TOTAL SHEETS	SHEET NO
8075	03-00167-04-FP	SANGAMON	109	8
STA.		TO STA.		
FED. ROAD DIST. NO.	ILLINOIS	FED. AID PROJECT		



PROPOSED TYPICAL SECTION

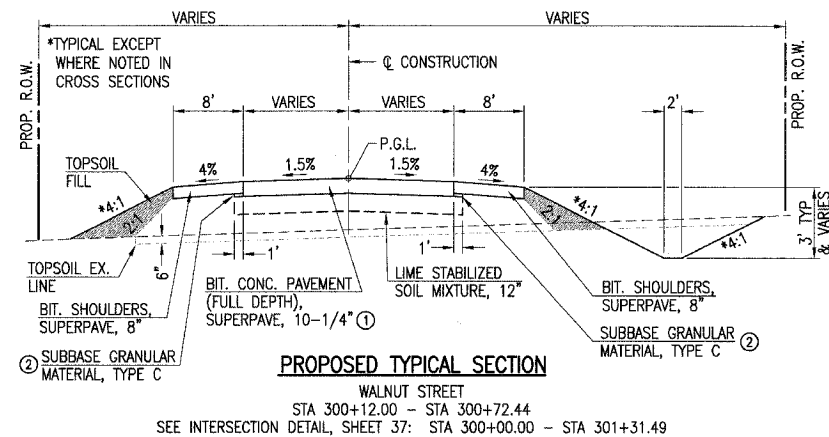
OAK HILL ROAD
STA 195+33.00 - STA 197+53.00



PROPOSED TYPICAL SECTION

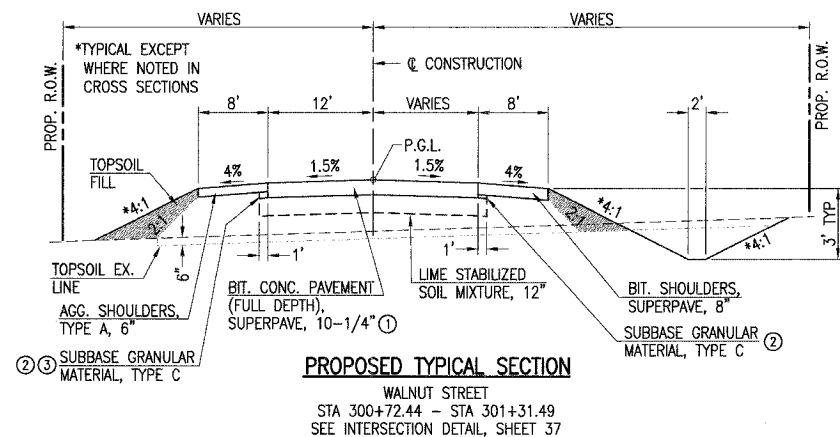
OAK HILL ROAD
STA 197+53.00 - STA 200+00.00
SEE INTERSECTION DETAIL, SHEET 33: STA 198+24.88 - STA 200+00.00

- ① 6-1/2" LOWER BINDER - 2 LIFTS
2-1/4" TOP LIFT BINDER (POLYMERIZED)
1-1/2" SURFACE LIFT (POLYMERIZED)
[BITUMINOUS PRIME/RC 70 (FOG COAT)
REQUIRED BETWEEN SUCCESSIVE LIFTS]
- ② COST INCLUDED WITH SOIL-LIME MIXTURE, 12"
- ③ MATERIAL USED FOR AGGREGATE SHOULDERS,
TYPE A CAN BE USED IN THIS LOCATION



PROPOSED TYPICAL SECTION

WALNUT STREET
STA 300+12.00 - STA 300+72.44
SEE INTERSECTION DETAIL, SHEET 37: STA 300+00.00 - STA 301+31.49



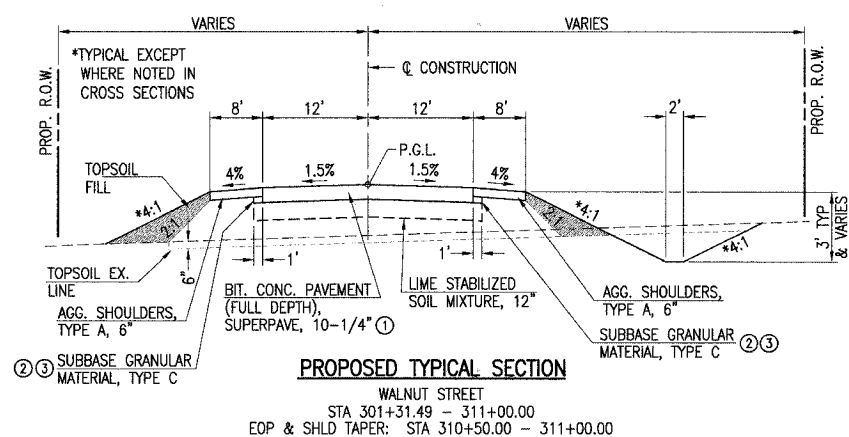
PROPOSED TYPICAL SECTION

WALNUT STREET
STA 300+72.44 - STA 301+31.49
SEE INTERSECTION DETAIL, SHEET 37

BUCKHART ROAD (WIDEN & RESURFACE)

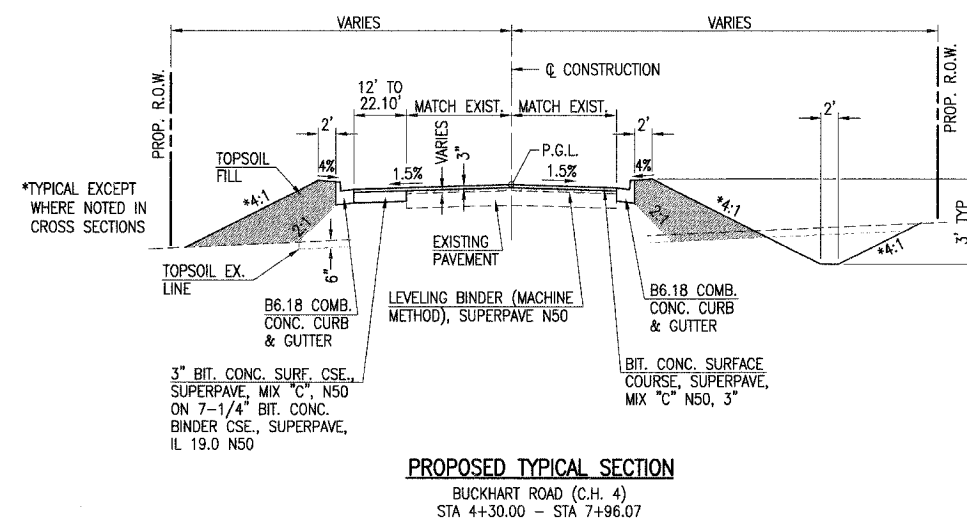
BITUMINOUS CONCRETE MIXTURE REQUIREMENTS				
ITEM	AGGREGATE COMPOSITION	ASPHALT GRADE	ALLOWABLE RAP	VOIDS
BINDER, SUPERPAVE	IL-19.0	PG 64-22	20%	4.0% @ N50
LEVEL BINDER (MM) SUPERPAVE	IL-9.5	PG 64-22	15%	4.0% @ N50
SURFACE, SUPERPAVE	IL-9.5 OR 12.5 MIX "C"	PG 64-22	15%	4.0% @ N50

ALL BITUMINOUS QUANTITIES COMPUTED AT 112#/square yard/inch



PROPOSED TYPICAL SECTION

WALNUT STREET
STA 301+31.49 - STA 311+00.00
EOP & SHLD TAPER: STA 310+50.00 - STA 311+00.00



PROPOSED TYPICAL SECTION

BUCKHART ROAD (C.H. 4)
STA 4+30.00 - STA 7+96.07

TYPICAL SECTIONS
SEC. 03-00167-04-FP
CARDINAL HILL ROAD (C.H. 37)
SANGAMON COUNTY



Hanson Professional Services Inc.
1625 South Sixth Street, Springfield, IL 62703
Registration No. 194-001084
© Copyright Hanson Professional Services Inc. 2006

SHEET 4 OF 5

JOB NO.
03S2035B

DATE
6/21/06

LAYOUT 3/15/04
DRAWN 7/22/04
REVIEWED 7/21/04
I:\03\0085\03S2035B\CIVIL\SHIELD\03-TYP.DWG JUL 21, 2006 9:36AM BJB