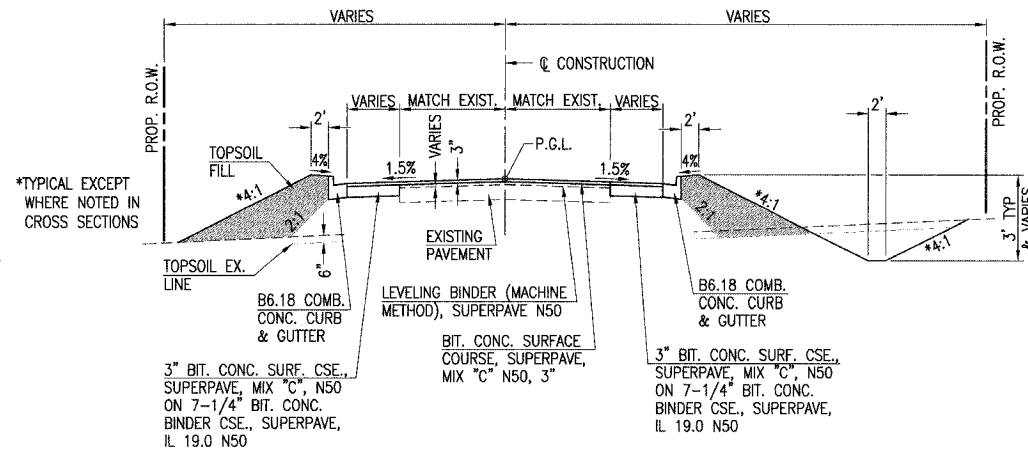
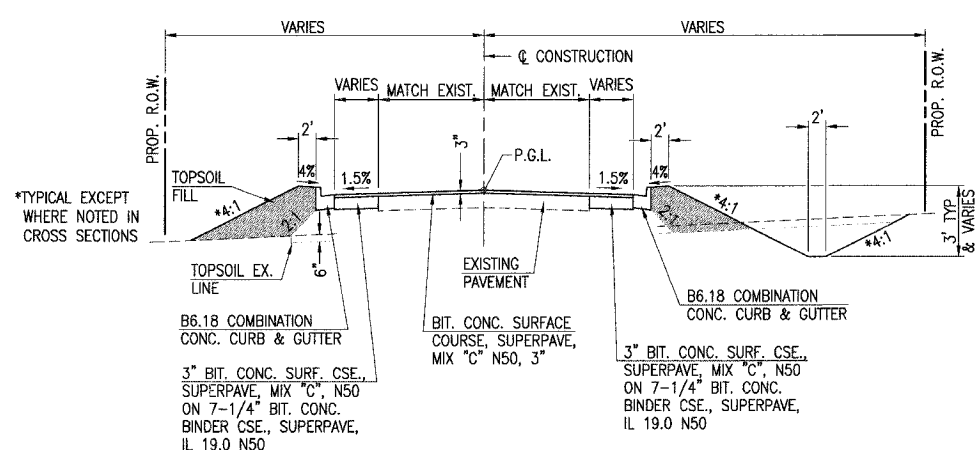


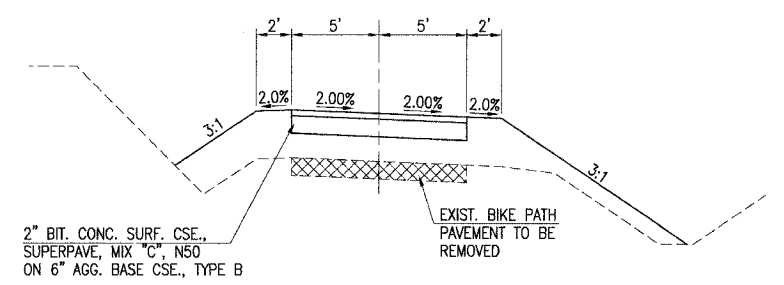
FAU. RITE.	SECTION	COUNTY	TOTAL SHEETS	SHEET NO.
B075	03-00167-04-FP	SANGAMON	109	9
STA.	TO STA.			
FED. ROAD DIST. NO.	ILLINOIS	FED. AID PROJECT		



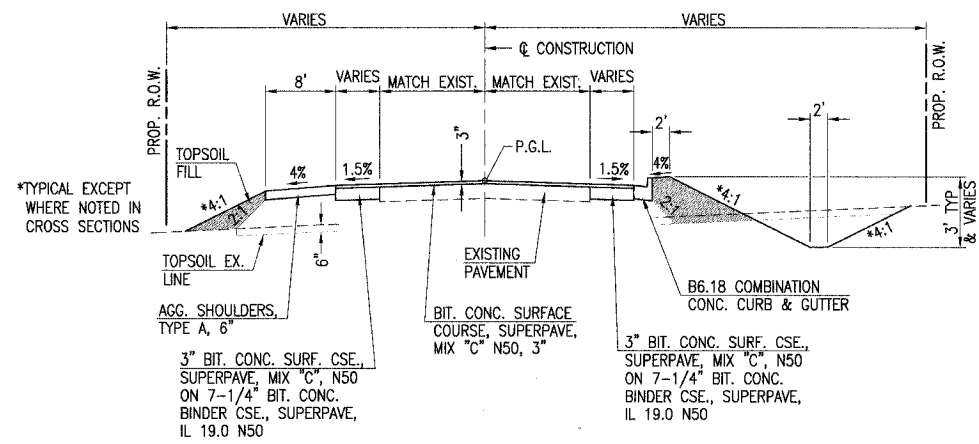
PROPOSED TYPICAL SECTION
 BUCKHART ROAD (C.H. 4)
 STA 7+96.07 - STA 9+00.00
 SEE INTERSECTION DETAIL, SHEET 36: STA 7+96.07 - STA 12+23.60



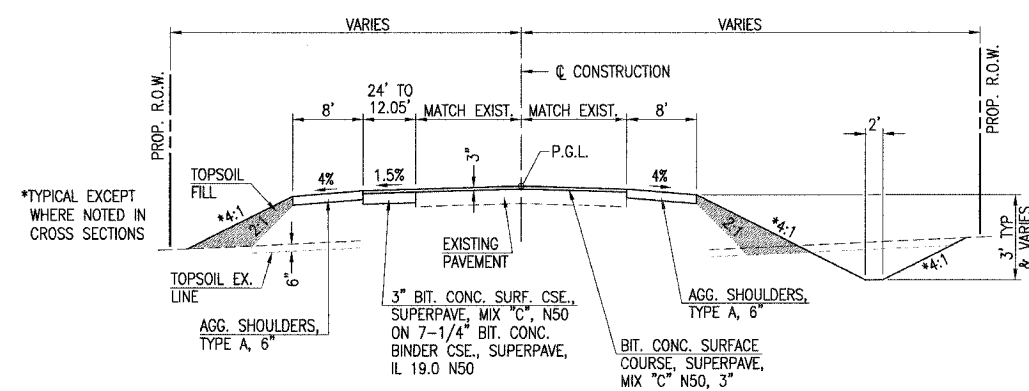
PROPOSED TYPICAL SECTION
 BUCKHART ROAD (C.H. 4)
 STA 9+00.00 - STA 12+33.38
 SEE INTERSECTION DETAIL, SHEET 36: STA 7+96.07 - STA 12+23.60



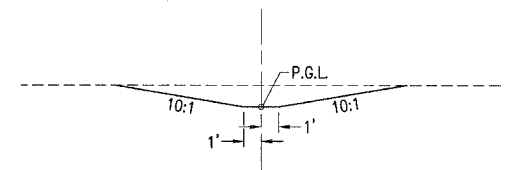
PROPOSED TYPICAL SECTION
 BIKE PATH AT CARDINAL HILL ROAD
 & IL RTE 29 INTERSECTION
 SEE INTERSECTION DETAIL, SHEET 34



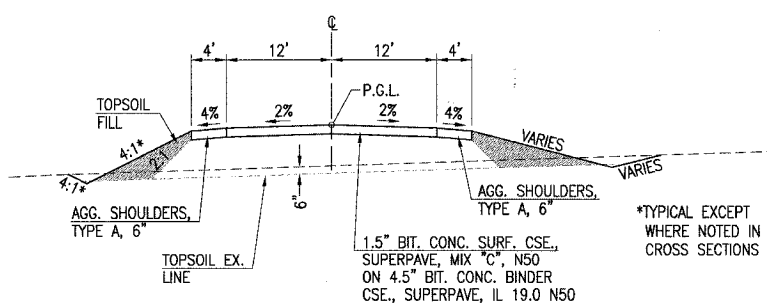
PROPOSED TYPICAL SECTION
 BUCKHART ROAD (C.H. 4)
 STA 12+33.38 - STA 12+47.63
 SEE INTERSECTION DETAIL, SHEET 36: STA 7+96.07 - STA 12+23.60



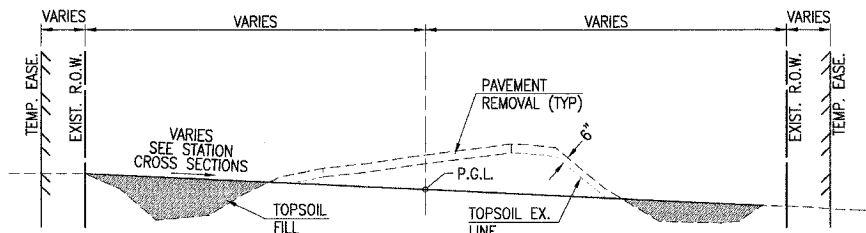
PROPOSED TYPICAL SECTION
 BUCKHART ROAD (C.H. 4)
 STA 12+47.63 - STA 18+85.00



PROPOSED TYPICAL SECTION
 SWALE NORTH OF COMMUNITY DRIVE



PROPOSED TYPICAL SECTION
 VILLAGE ENTRANCE ROAD
 STA 504+13.93 - 506+66.44, LT
 SEE INTERSECTION DETAIL, SHEET 35



PROPOSED TYPICAL SECTION
 CARDINAL HILL ROAD DEGRADING
 STA 235+75.00 - STA 255+00.00

TYPICAL SECTIONS
 SEC. 03-00167-04-FP
 CARDINAL HILL ROAD (C.H. 37)
 SANGAMON COUNTY



SHEET 5 OF 5
 JOB NO. 03S2035B
 DATE 6/21/06

LAYOUT B.B. 3/15/04
 DRAWN B.B. 7/22/04
 REVIEWED LUK 7/21/04
 I:\03A005\03S2035B\CIVIL\03S2035B\03S2035B.DWG JUL 21, 2006 9:37AM B.B.