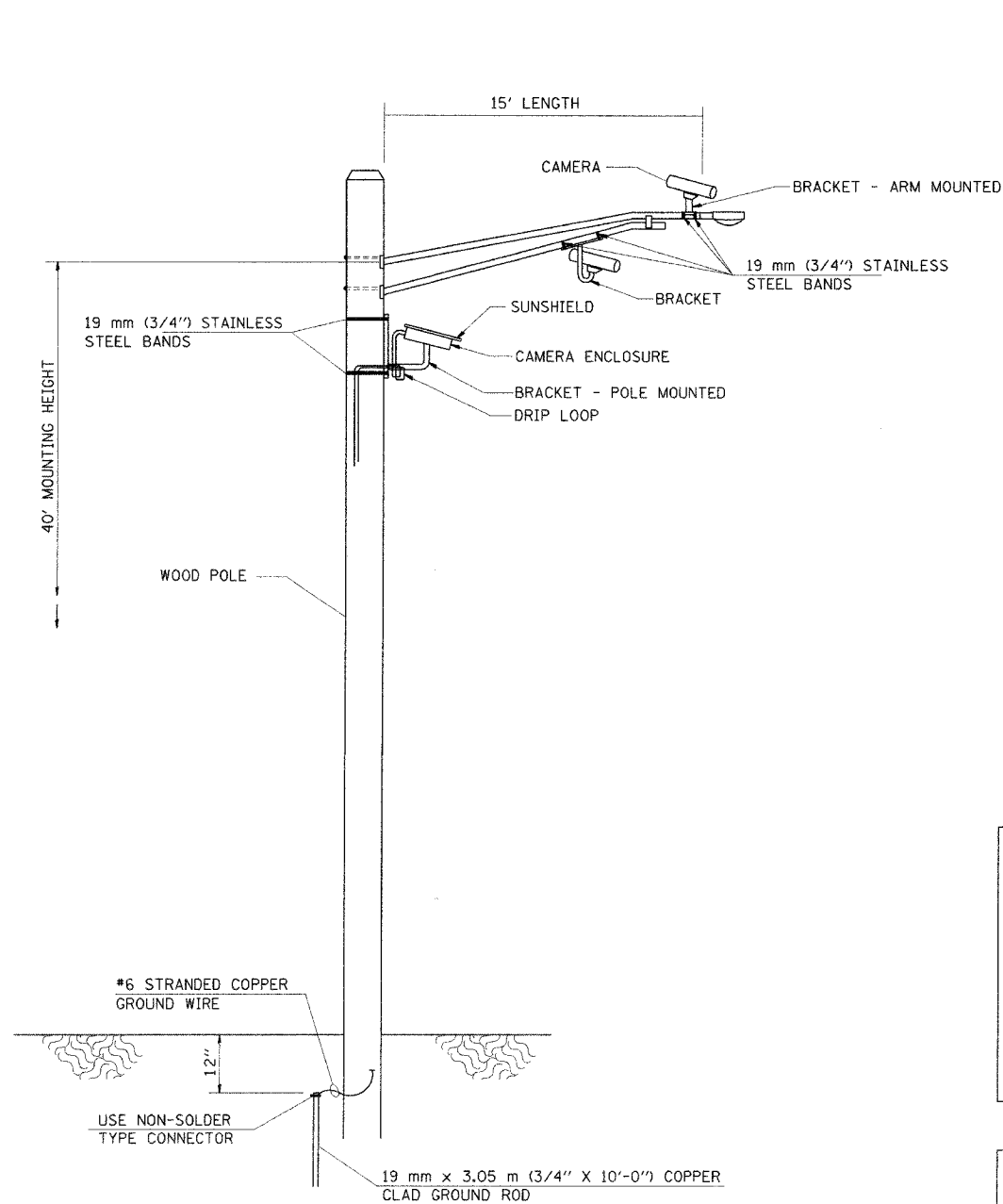
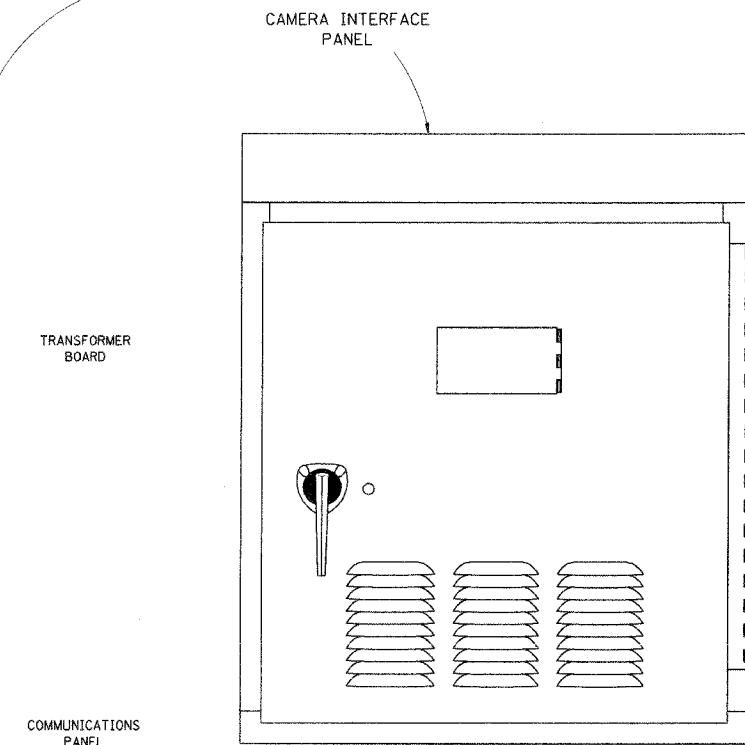
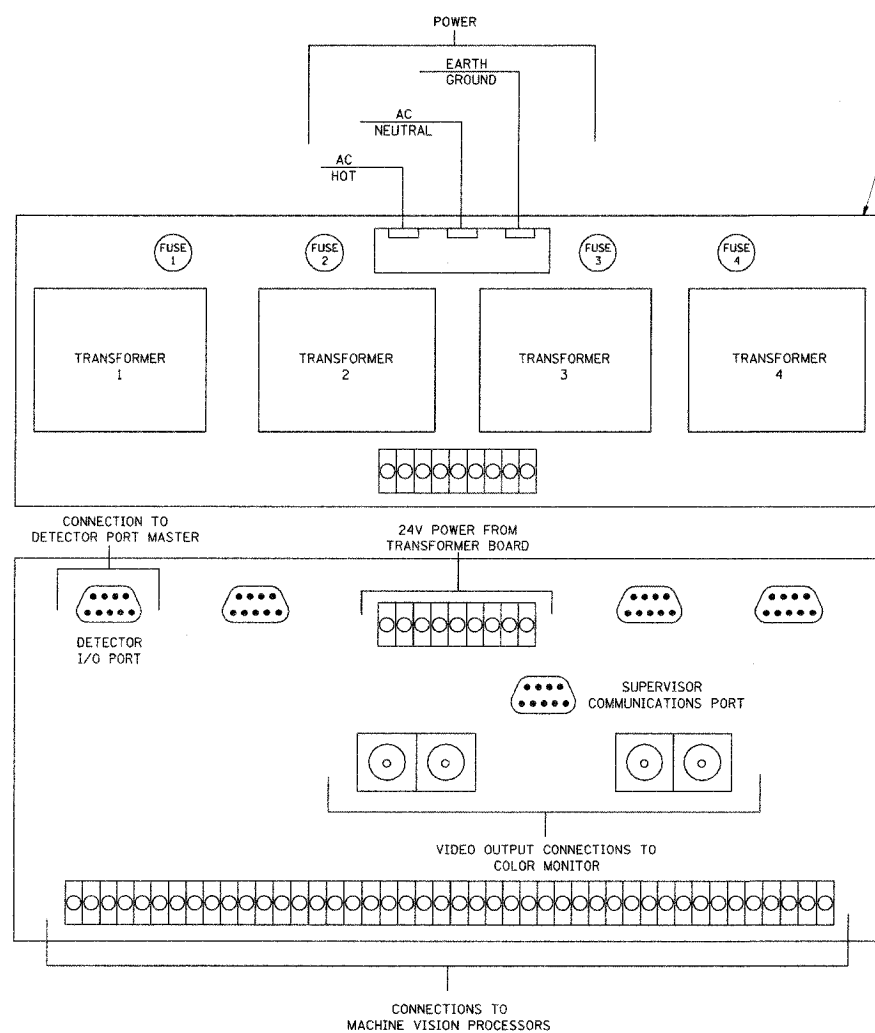
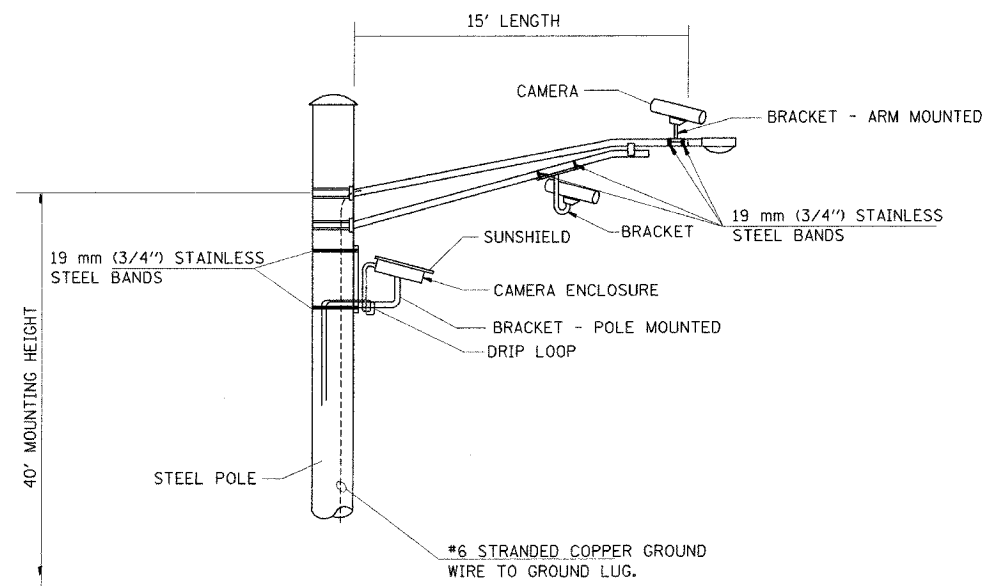


F.A.U. RTE.	SECTION	COUNTY	TOTAL SHEETS	SHEET NO
8075	03-00167-04-FP	SANGAMON	109	59
STA.	TO STA.			
FED. ROAD DIST. NO.	ILLINOIS	FED. AID PROJECT		



**VIDEO DETECTION SYSTEM INSTALLATION
ARM MOUNTED OR POLE MOUNTED CAMERA**



**VIDEO DETECTION DETAIL
INSTALLATION SYSTEM
SEC. 03-00167-04-FP
IL ROUTE 29 AND
CARDINAL HILL RD. (C.H. 37)
SANGAMON COUNTY**



Hanson Professional Services Inc.
1525 South Sixth Street, Springfield, IL 62703
Registration No. 184-901084
Copyright Hanson Professional Services Inc. 2006

JOB NO.
03S2035B
DATE
6/21/06

LAYOUT: RLM 6-10-04
DRAWN: RLM 6-10-04 07:27:00
REVIEWED: CHL 6-11-04 10:04:00
03S2035B.DWG/ASHE/TC/2375.dwg