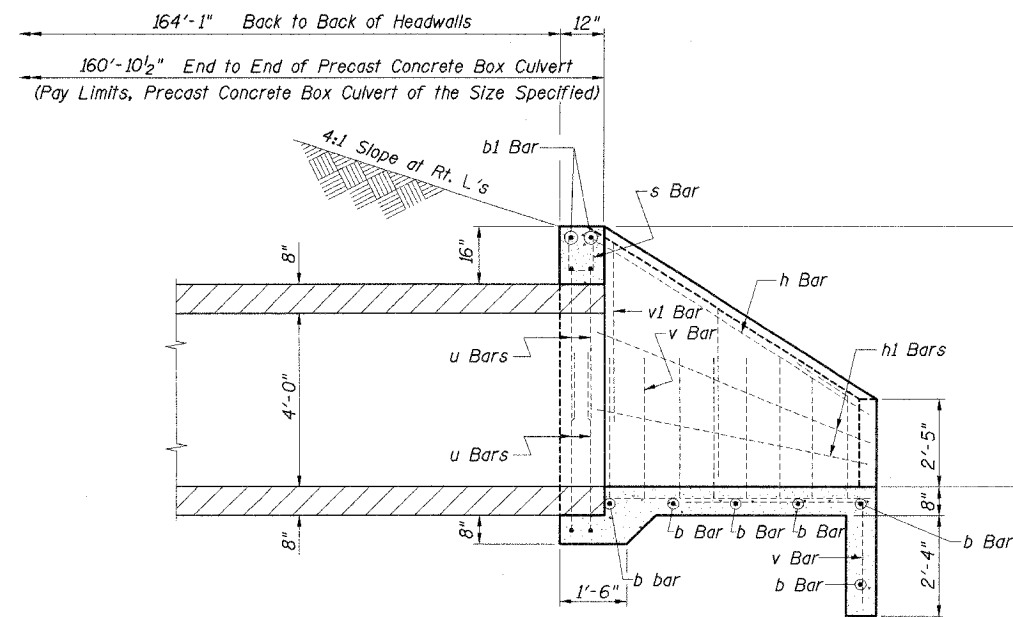
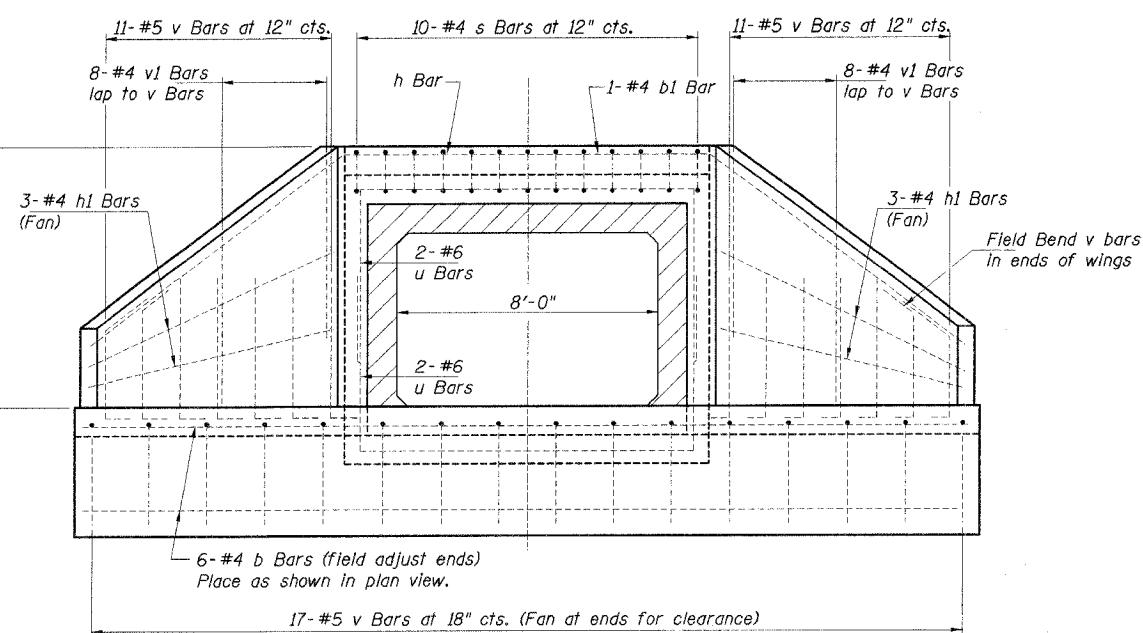


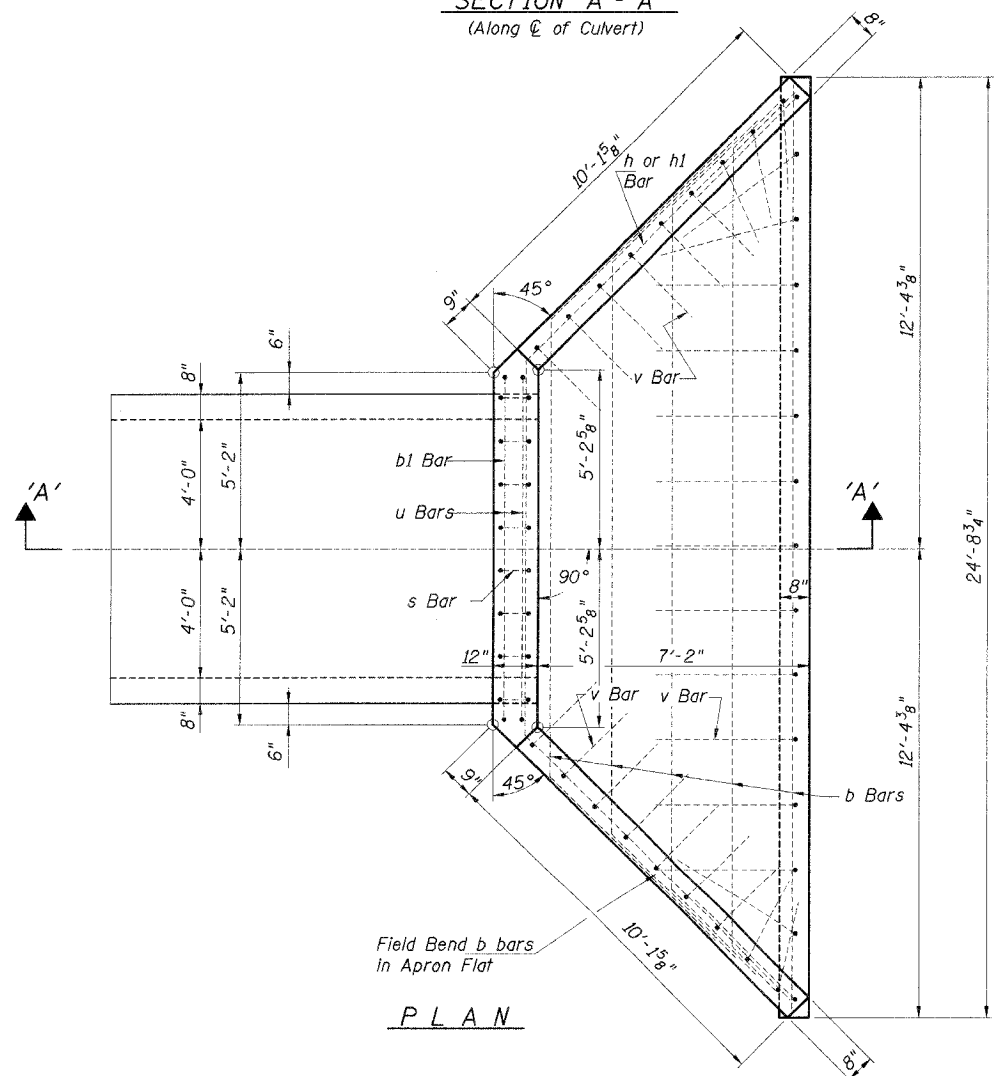
F.A.I. RTE.	SECTION	COUNTY	TOTAL SHEETS	SHEET NO.
8075	03-00167-04-FP	SANGAMON	109	61
STA.	TO STA.			
FED. ROAD DIST. NO.	ILLINOIS	FED. AID PROJECT		



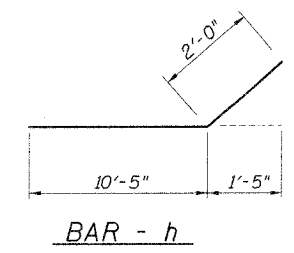
SECTION 'A'-'A'
(Along C of Culvert)



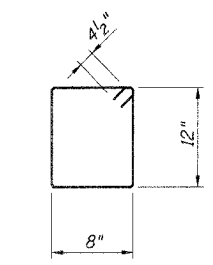
END VIEW



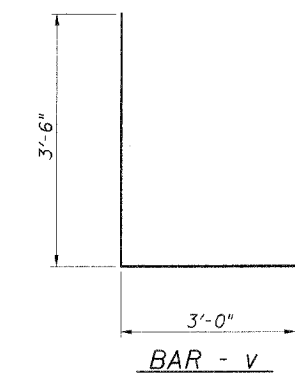
PLAN



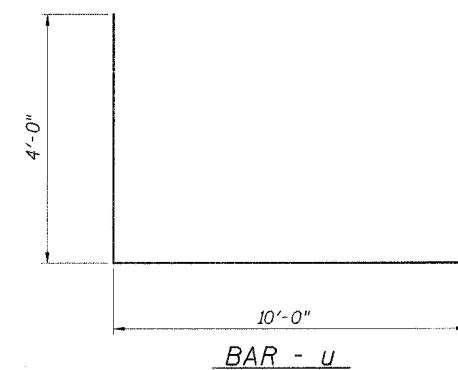
BAR - h



BAR - s



BAR - v



BAR - u

REINFORCEMENT TABLE
(One End Section)

Bar	No.	Size	Length	Shape
b	6	#4	24'-3"	—
b1	2	#6	10'-3"	—
h	2	#4	11'-10"	∩
h1	6	#4	10'-0"	—
u	4	#6	18'-0"	⊔
v	39	#5	6'-6"	⊔
v1	8	#4	5'-0"	—
s	10	#4	4'-1"	□

GENERAL NOTES

Build tops of headwalls parallel to grade line.
If embankment slope above headwall is flatter than 2:1, provide wings for 2:1 slope.
Reinforcing shapes shown, may be either shop or field formed.
The following quantities are for 1 (one) Concrete End Section and are for estimation purposes only. The end section shall be paid for at the unit price each for 'Box Culvert End Sections, Culvert No. 1.'
Cubic Yards of Concrete = 8.4 Cu. Yds.
Pounds of Reinforcement Bars = 610 Lbs.

For construction requirements, See Article 542.07 (a) of the Illinois Department of Transportation, Standard Specifications for Road and Bridge Construction.

REINFORCED CONCRETE END SECTION
FOR PRECAST BOX CULVERT NO. 1
48" HIGH x 96" WIDE
STATION 468+05.77 (UPSTREAM)

Hanson Professional Services Inc.

FIG. NO. 03s2035b
DATE 6/21/06

LAYOUT: 6/05/06
 CHECKED: 6/07/06
 DESIGNED: 6/02/06
 DATE: 07/27/2006
 PROJECT: 03-00167-04-FP
 FILE: 03-00167-04-FP-03s2035b.dwg