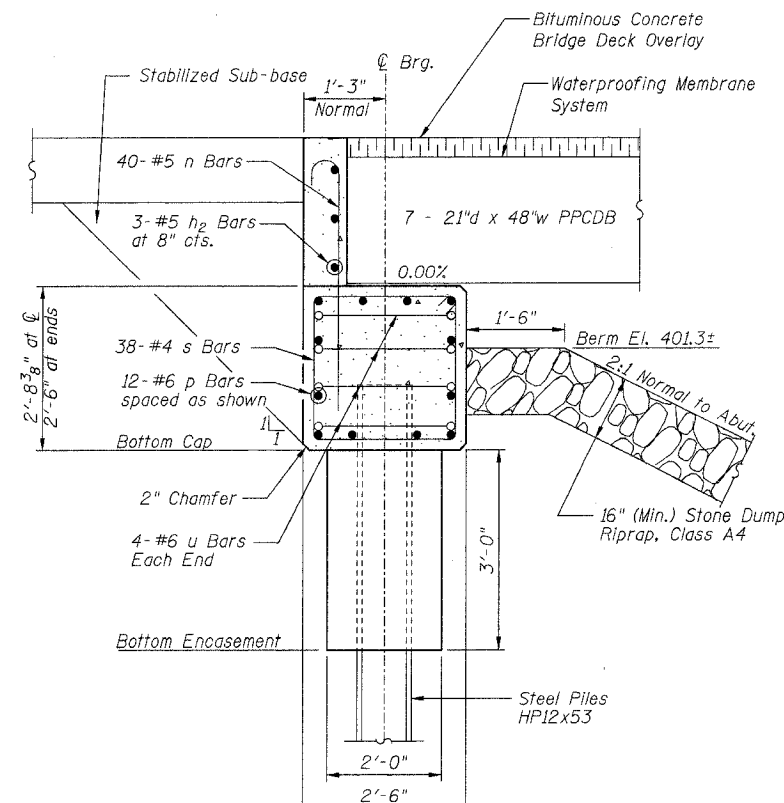
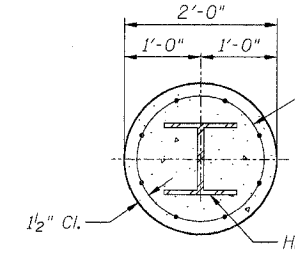


ROUTE	SECTION	COUNTY	TOTAL SHEETS	SHEET NO.
FAS 1857	03-00070-00-BR	MONROE	11	10
		ILLINOIS	FED. AID PROJECT	
CONTRACT NO. 97285				



**SECTION THRU ABUTMENT**



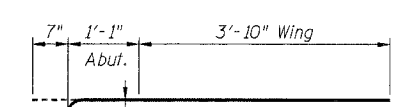
**SECTION A-A**

Welded wire fabric 6 x 6 - W4.0 x W4.0 weighing 58#/100 sq. ft. The cost of Excavation and Reinforcement is incidental to the cost of Concrete Encasement. Forms for Encasement may be omitted when soil conditions permit.

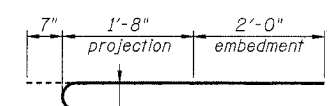
**PILE ENCASEMENT DETAIL**

**GENERAL NOTES**

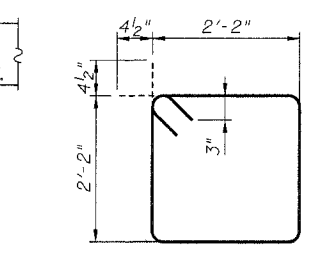
- All exposed edges shall have standard 3/4" chamfer, unless otherwise noted.
- All clearances between rebar and form surface shall be 2", unless otherwise noted.
- Space reinforcement in cap to miss PPCDB dowel rods.



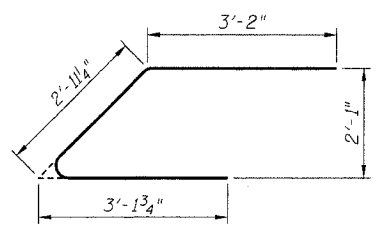
**#5 h BARS**



**#5 n BARS**



**#4 s BARS**



**#6 u BARS**

**PILE DATA**

Type:  
 South Abutment Steel HP12x53  
 North Abutment Steel HP12x53

Estimated Length:  
 South Abutment 50 Foot  
 North Abutment 50 Foot

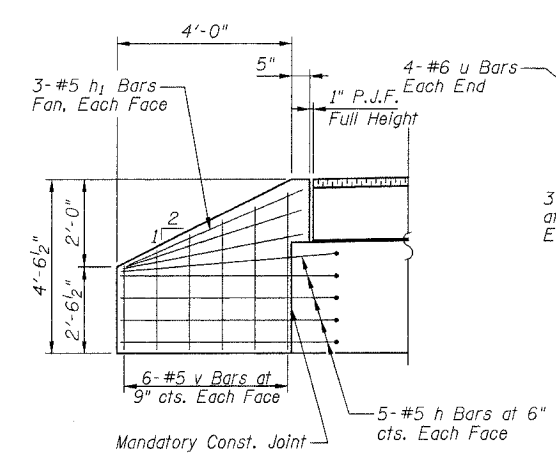
Number Required:  
 South Abutment 4+1 Test Pile  
 North Abutment 5

Total Estimated Length (Both Abutments):  
 (Does not include Test Pile)  
 Steel HP12x53 450 Foot

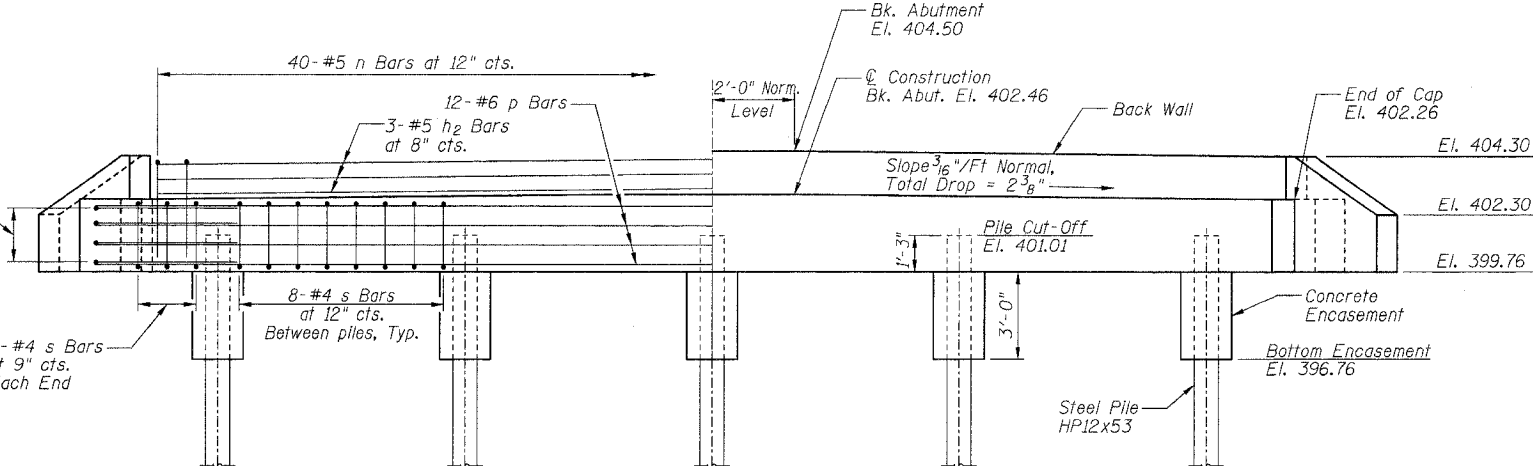
Capacity: Drive to Refusal

**BILL OF MATERIALS ONE ABUTMENT w/ WINGWALLS**

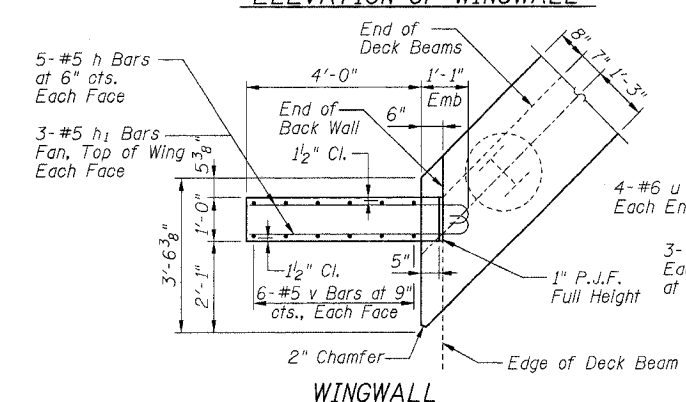
Bar	No.	Size	Length	Shape
h	20	#5	5'-6"	
h <sub>1</sub>	12	#5	4'-8"	
h <sub>2</sub>	3	#5	39'-0"	
n	40	#5	4'-3"	
p	12	#6	40'-8"	
s	38	#4	9'-5"	
u	8	#6	9'-3"	
v	24	#5	4'-0"	CUT IN FIELD
Concrete Structures		Cu. Yd.	13.0	
Reinforcement Bars		Pound	1660	
Concrete Encasement		Cu. Yd.	1.7	



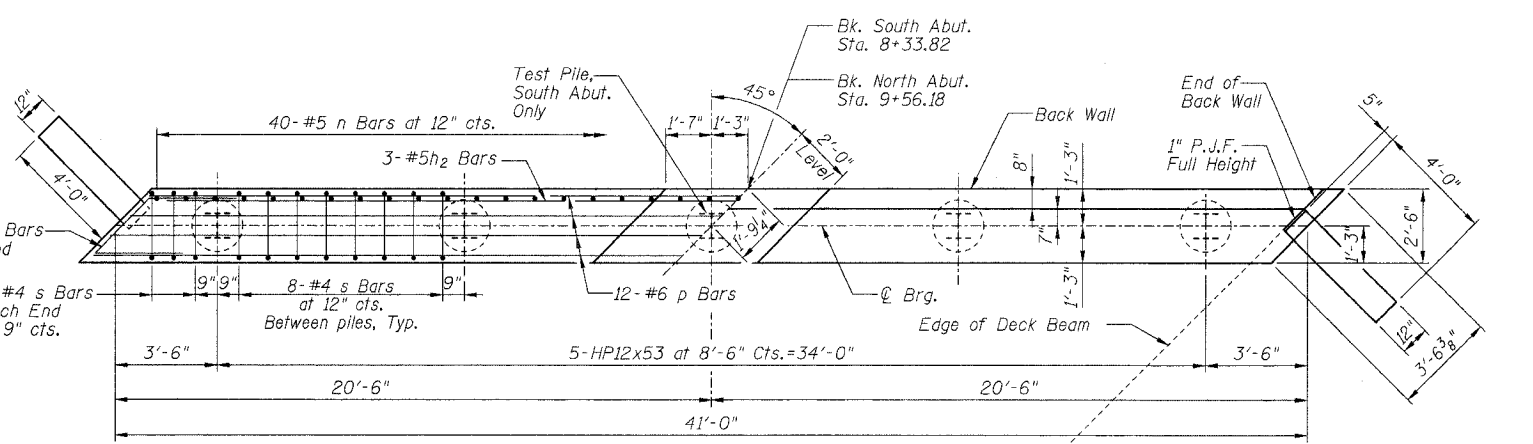
**ELEVATION OF WINGWALL**



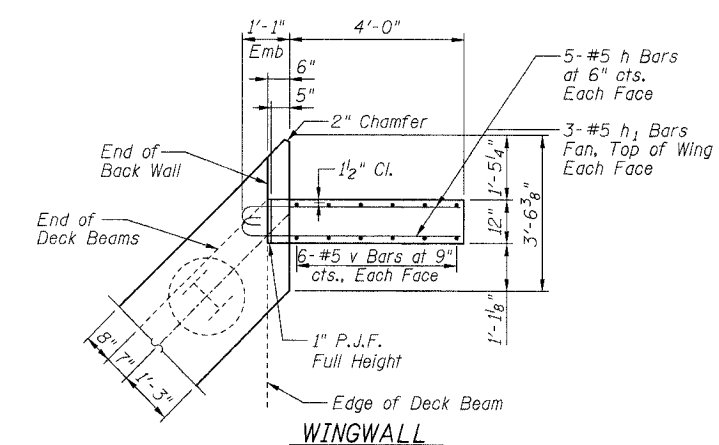
**ELEVATION**



**WINGWALL CONNECTION DETAIL**



**PLAN**



**WINGWALL CONNECTION DETAIL**

**ABUTMENT DETAILS**  
 PROPOSED BRIDGE CARRYING  
 FAS 1857 OVER MONROE CITY CREEK  
 SECTION 03-00070-00-BR  
 MONROE COUNTY, ILLINOIS

05/26/2006