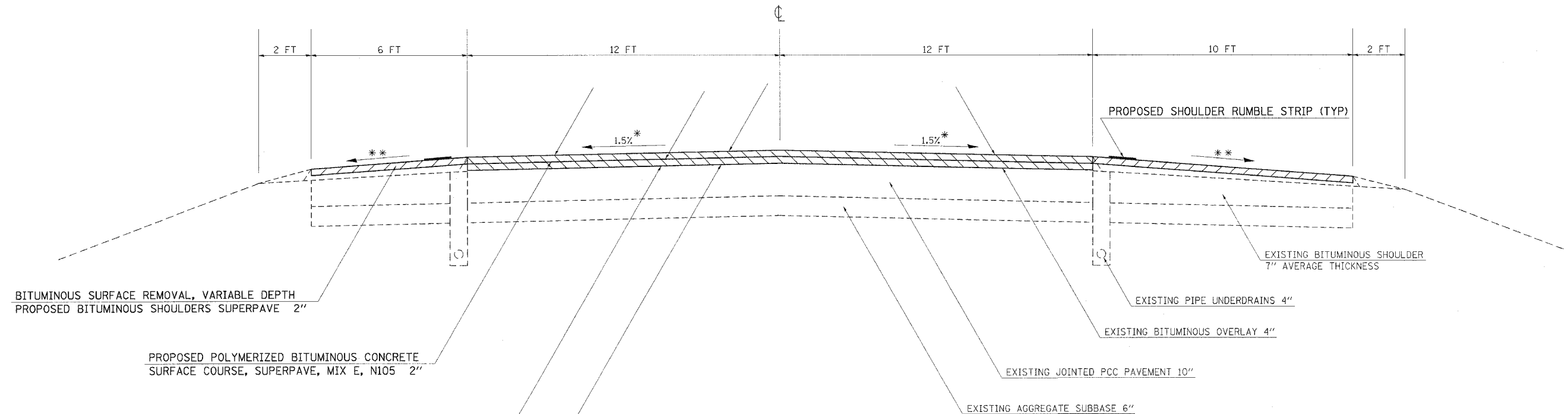


F.A.I. RTE.	SECTION	COUNTY	TOTAL SHEETS	SHEET NO.
57	*	WILLIAMSON	55	9
STA.		TO STA.		
FED. ROAD DIST. NO.	ILLINOIS	FED. AID PROJECT		

* EX1-(4,4-1,5,6,6-2)] R-1

TYPICAL SECTION #2 INLAY UNDER OVERPASSES

WILLIAMSON COUNTY
NORTHBOUND LANES ONLY
FAI RTE 57
(LOOKING IN DIRECTION OF TRAVEL)



BITUMINOUS SURFACE REMOVAL, VARIABLE DEPTH
PROPOSED BITUMINOUS SHOULDERS SUPERPAVE 2"

PROPOSED POLYMERIZED BITUMINOUS CONCRETE
SURFACE COURSE, SUPERPAVE, MIX E, N105 2"

PROPOSED POLYMERIZED BITUMINOUS CONCRETE
BINDER COURSE, SUPERPAVE, N105, IL-19.0 2"

PROPOSED BITUMINOUS SURFACE REMOVAL 4"

TO BE USED:

- STA 81+50 TO STA 81+90
- STA 165+60 TO STA 167+30
- STA 254+90 TO STA 255+25
- STA 363+40 TO STA 363+80

OMISSION:

- STA 168+30 TO STA 192+30

NOTES:

- * 1.5% PAVEMENT CROSS SLOPE TO BE ACHIEVED WITH BITUMINOUS BINDER COURSE
- ** MATCH EXISTING SHOULDER SLOPE UP TO 6% MAXIMUM.

PLOT DATE = 8/22/2006
 FILE NAME = c:\projects\98948\98948.dwg
 USER NAME = thomashf