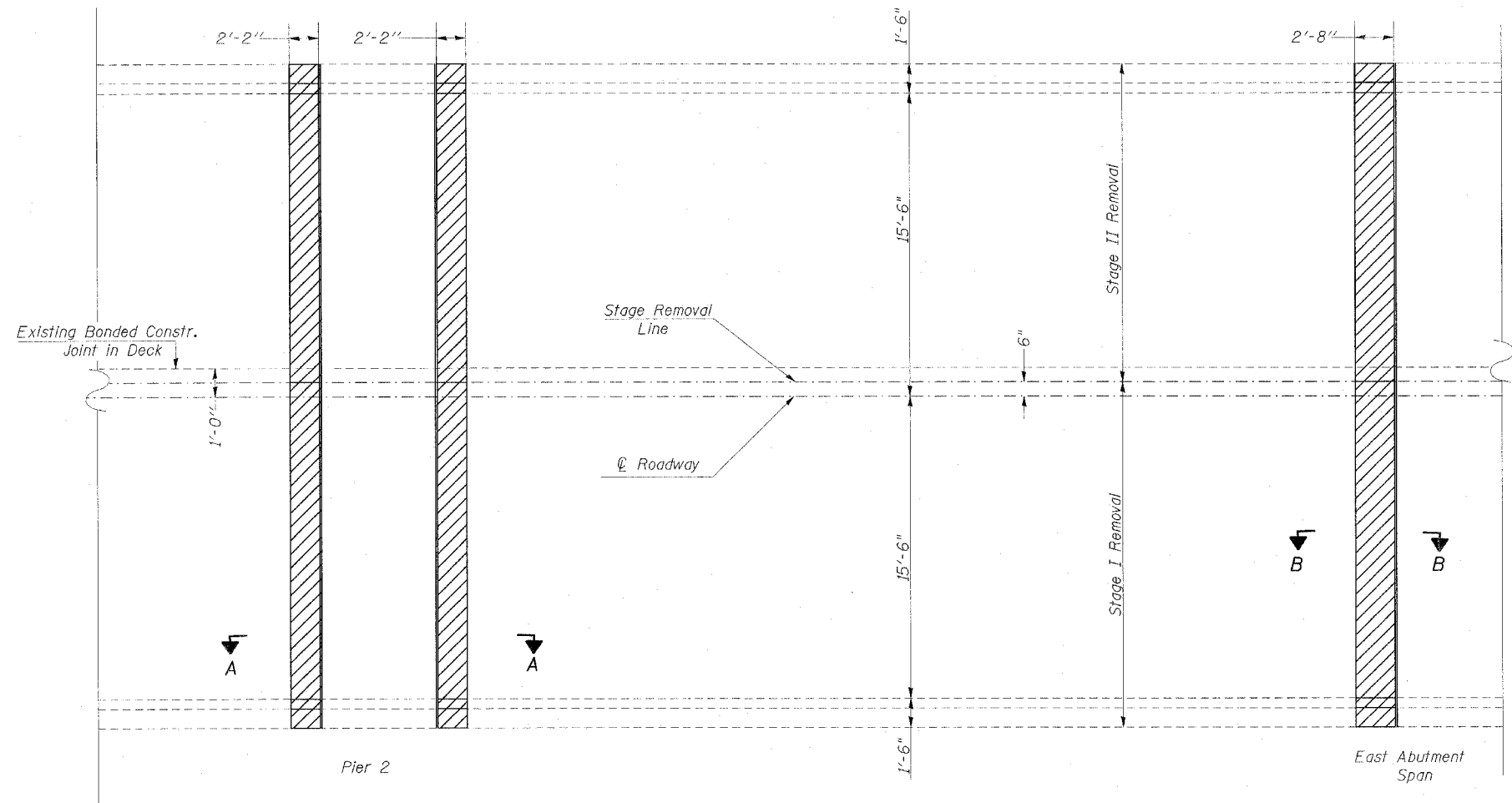


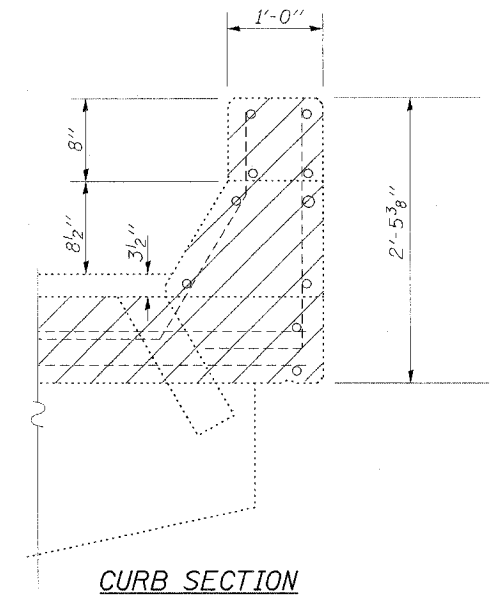
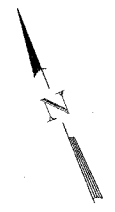
STATE OF ILLINOIS
DEPARTMENT OF TRANSPORTATION

CONTRACT NO. 98970				
F. A. RTE.	SECTION	COUNTY	TOTAL SHEETS	SHEET NO.
885	*	POPE	16	8
STA. 709+74.60		TO STA. 714+62.27		
FED. ROAD DIST. NO.	ILLINOIS	FED. AID PROJECT		

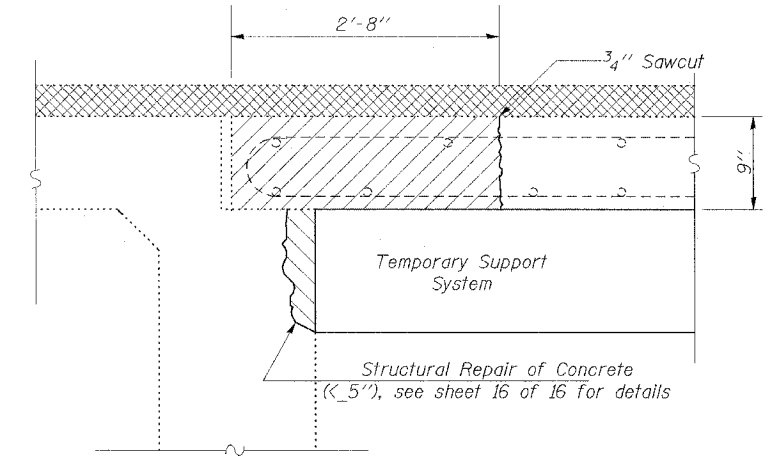
* - D-9 BSMART FY 07-1



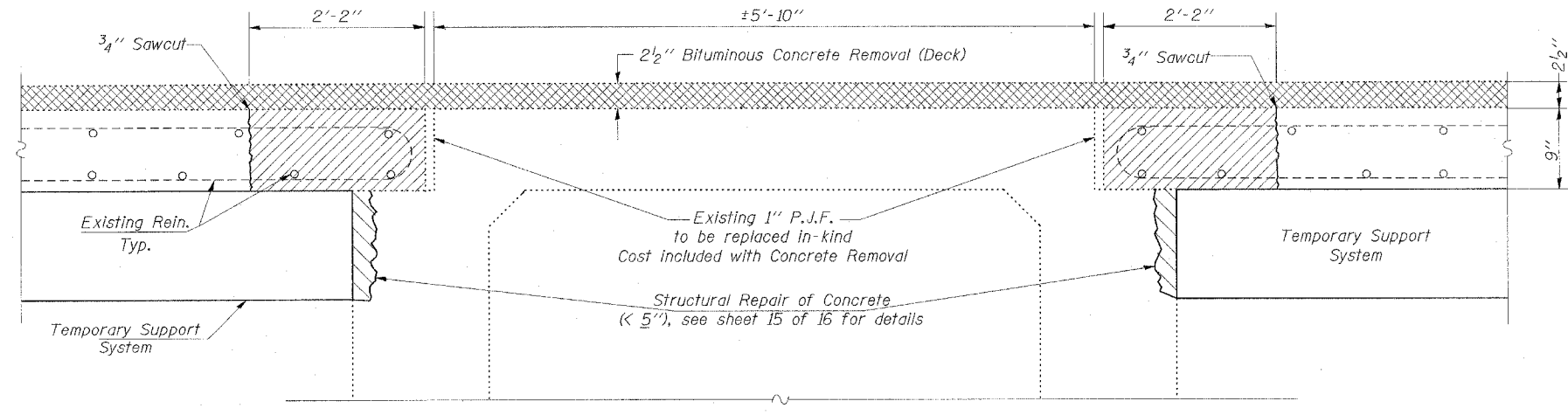
EAST PLAN



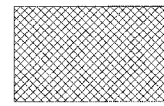
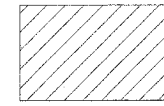
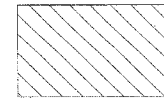
CURB SECTION



SECTION B-B
Existing East Abutment



SECTION A-A
Existing Pier 2

-  Bituminous Concrete Removal Deck
-  Concrete Removal
-  Structural Repair of Concrete

Notes:
Work this sheet with
sheet 10 of 16

CONCRETE REMOVAL
ILL 146 OVER HILLS BRANCH
EAST DETAILS
POPE COUNTY
STA. 712+18.3
SN 076-0007