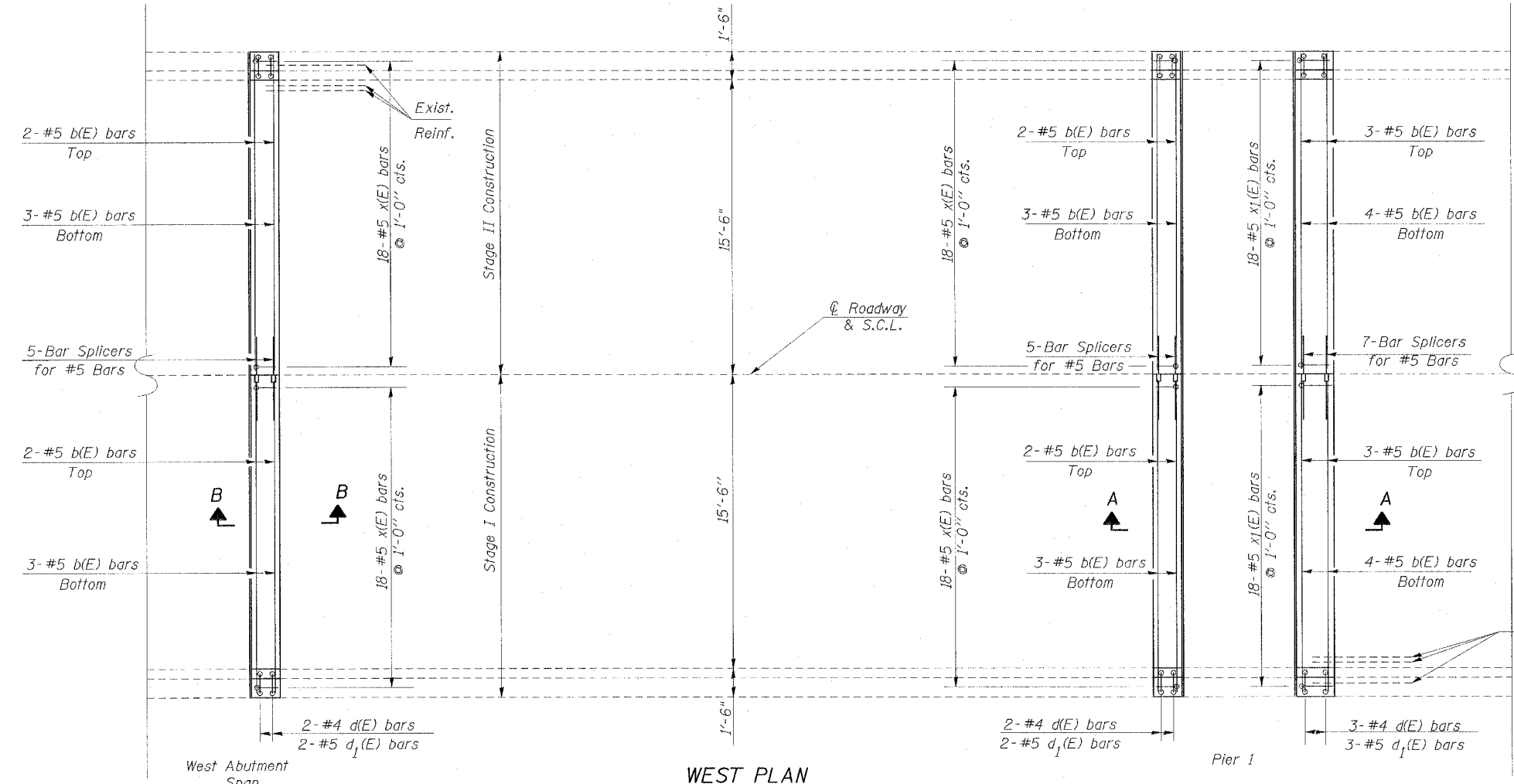


STATE OF ILLINOIS  
DEPARTMENT OF TRANSPORTATION

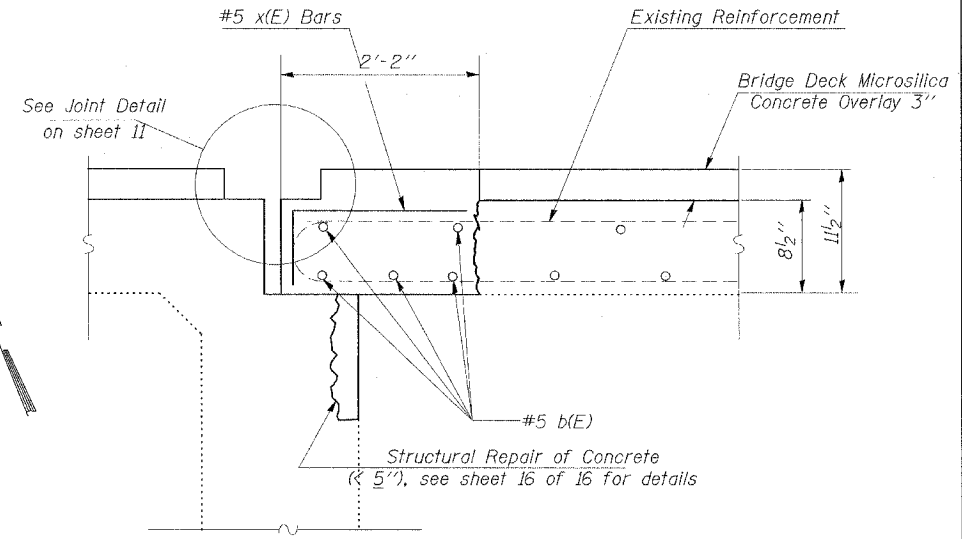
F.A. RTE.	SECTION	COUNTY	TOTAL SHEETS	SHEET NO.
885	*	POPE	16	9
STA. 709+74.60		TO STA. 714+62.27		
FED. ROAD DIST. NO.	BLINDS	FED. AID PROJECT		

\*- D-9 BSMART FY 07-1

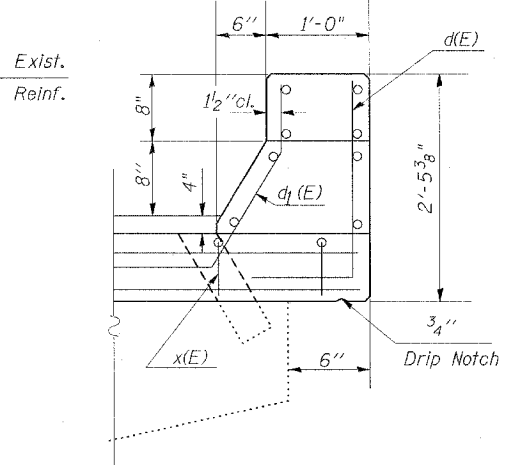
Notes:  
Work this sheet with sheet 7 of 16



WEST PLAN



SECTION B-B

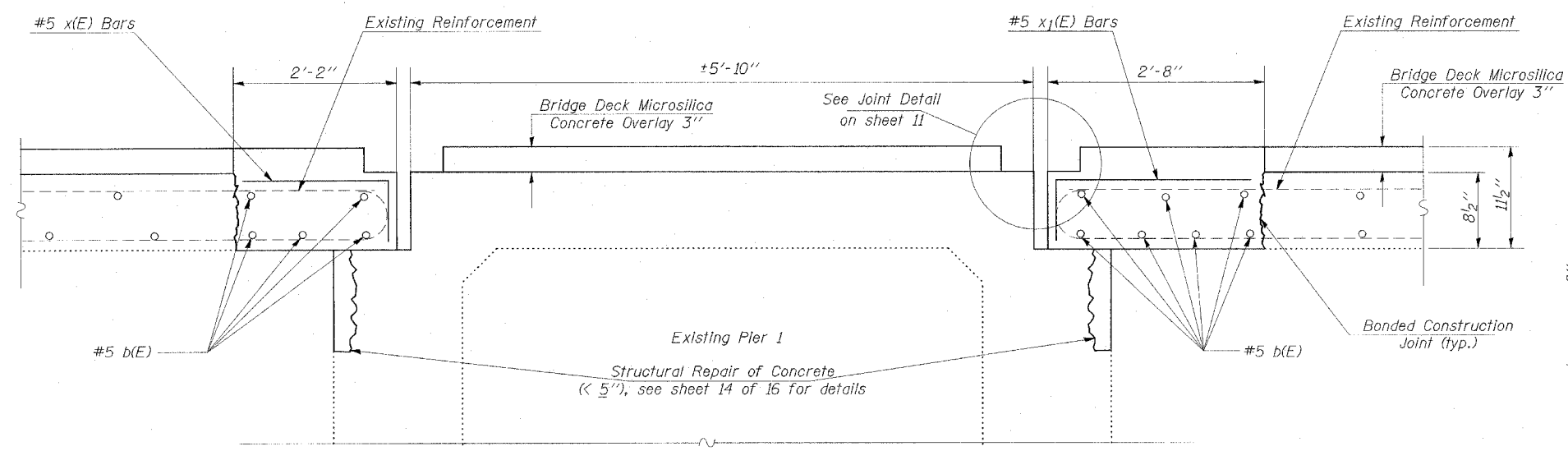


CURB SECTION

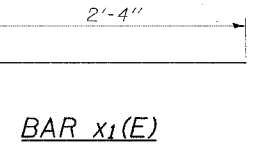
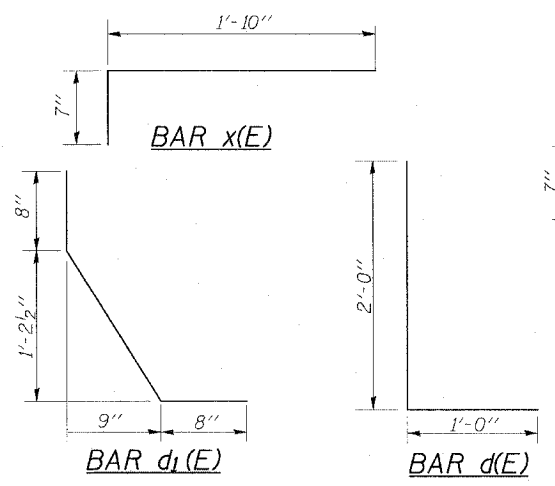
BILL OF MATERIAL

Bar	No.	Size	Length	Shape
b(E)	34	#5	16'-8"	
d(E)	14	#4	3'-0"	L
d <sub>1</sub> (E)	14	#5	2'-9"	L
x(E)	72	#5	2'-5"	L
x <sub>1</sub> (E)	36	#5	2'-11"	L
Concrete Removal			Cu. Yd.	7.65
Concrete Superstructure			Cu. Yd.	9.05
Reinforcement Bars, Epoxy Coated			Lbs.	950

Reinforcement bars designated (E) shall be epoxy coated.



SECTION A-A



CONCRETE PLACEMENT  
WEST DETAILS  
ILL 146 OVER HILLS BRANCH  
POPE COUNTY  
STA. 712+18.3  
SN 076-0007