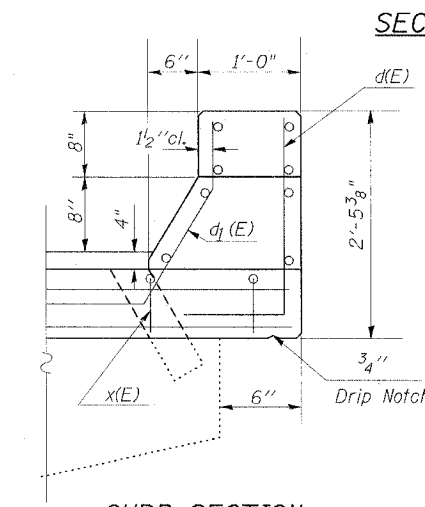
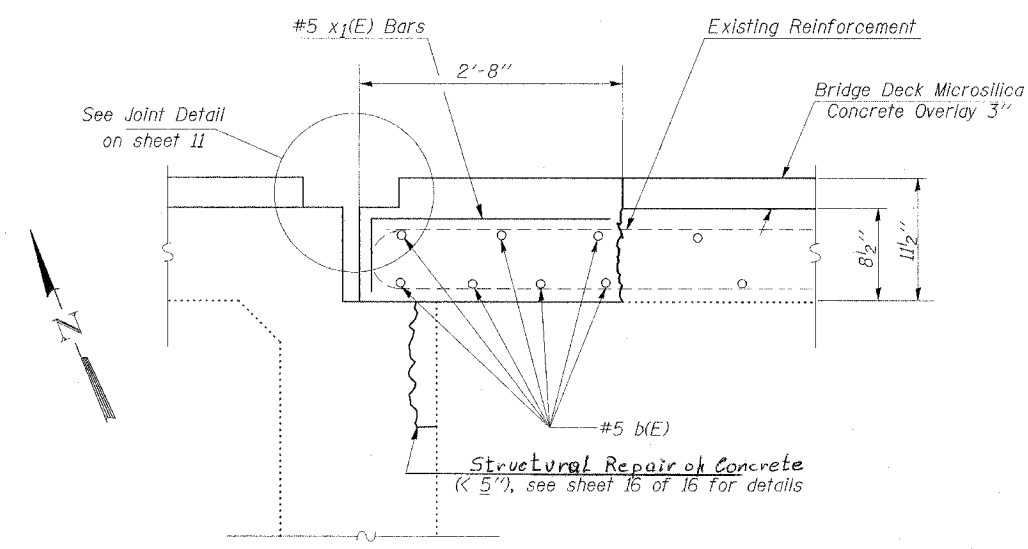
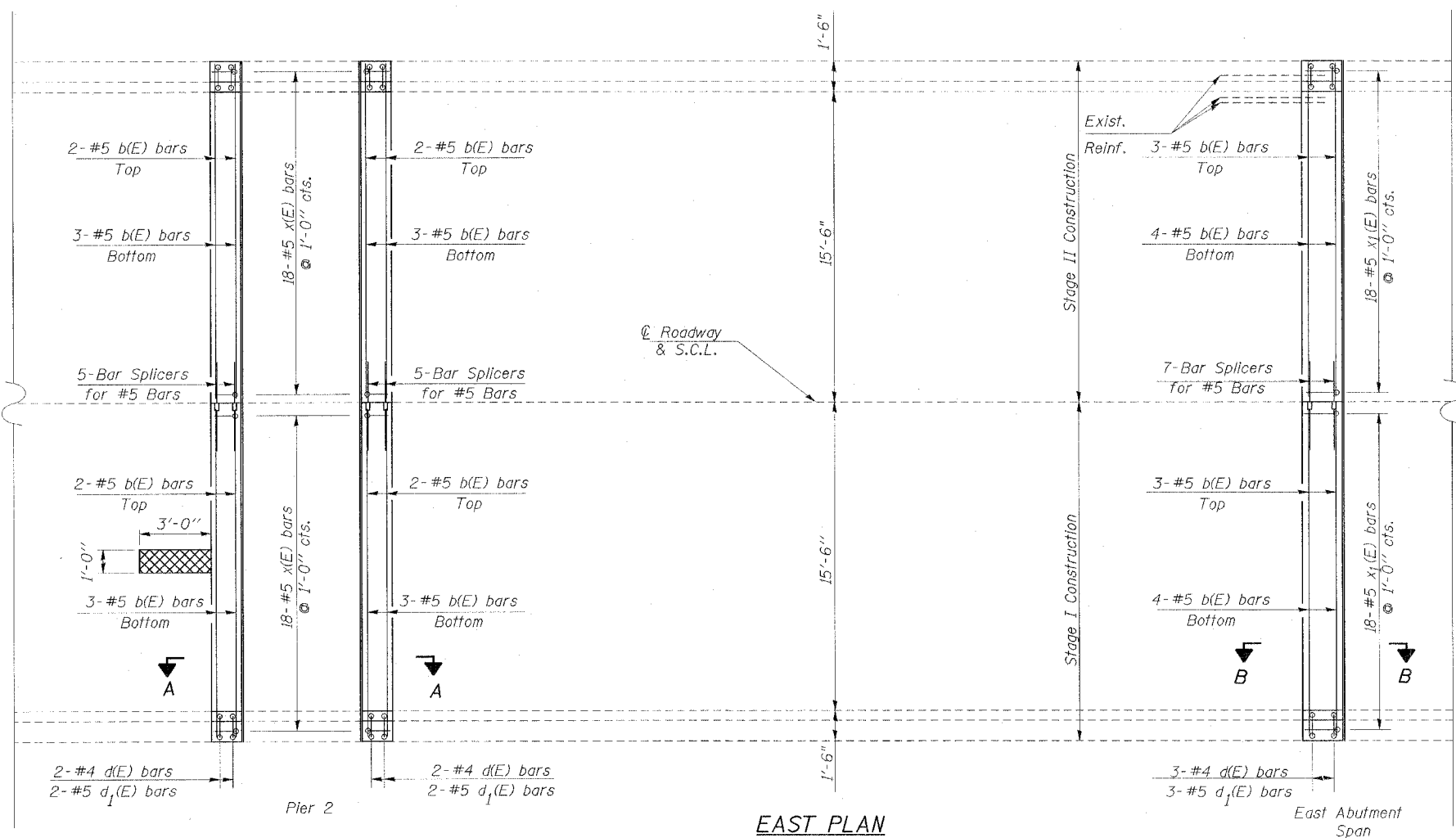


STATE OF ILLINOIS  
DEPARTMENT OF TRANSPORTATION

F.A. RTE.	SECTION	COUNTY	TOTAL SHEETS	SHEET NO.
885	*	POPE	16	10
STA. 709+74.60		TO STA. 714+62.27		
FED. ROAD DIST. NO.	ILLINOIS	FED. AID PROJECT		

\* - D-9 BSMART FY 07-1

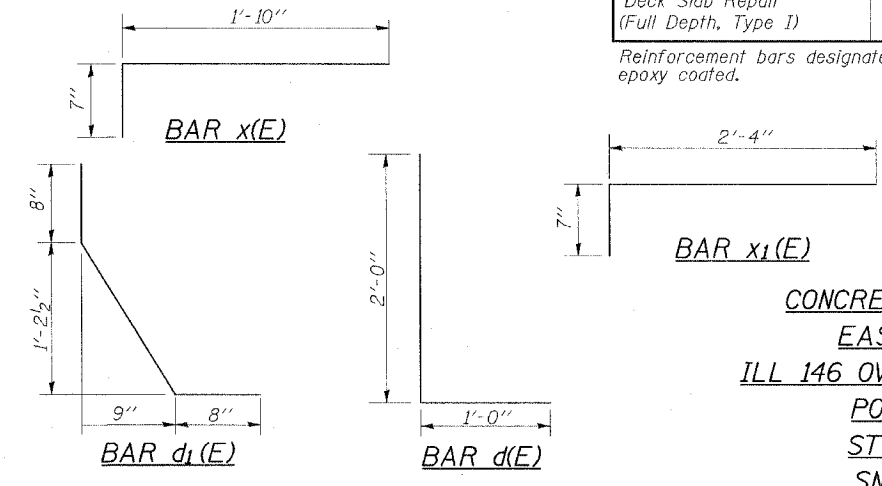
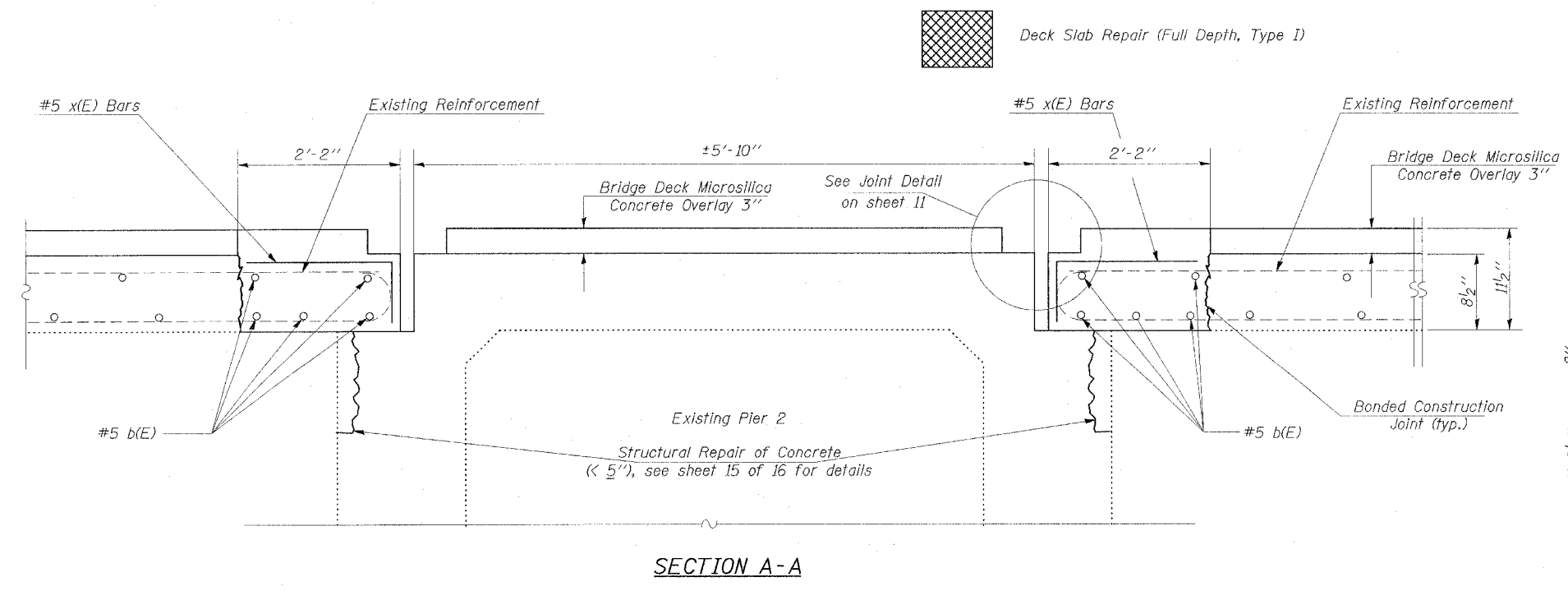
Notes:  
Work this sheet with sheet 8 of 16



**BILL OF MATERIAL**

Bar	No.	Size	Length	Shape
b(E)	34	#5	16'-8"	—
d(E)	14	#4	3'-0"	L
d <sub>1</sub> (E)	14	#5	2'-9"	U
x(E)	72	#5	2'-5"	—
x <sub>1</sub> (E)	36	#5	2'-11"	—
Concrete Removal			Cu. Yd.	7.65
Concrete Superstructure			Cu. Yd.	9.05
Reinforcement Bars, Epoxy Coated			Lbs.	950
Deck Slab Repair (Full Depth, Type I)			Sq. Yd.	0.4

Reinforcement bars designated (E) shall be epoxy coated.



**CONCRETE PLACEMENT  
EAST DETAILS  
ILL 146 OVER HILLS BRANCH  
POPE COUNTY  
STA. 712+18.3  
SN 076-0007**