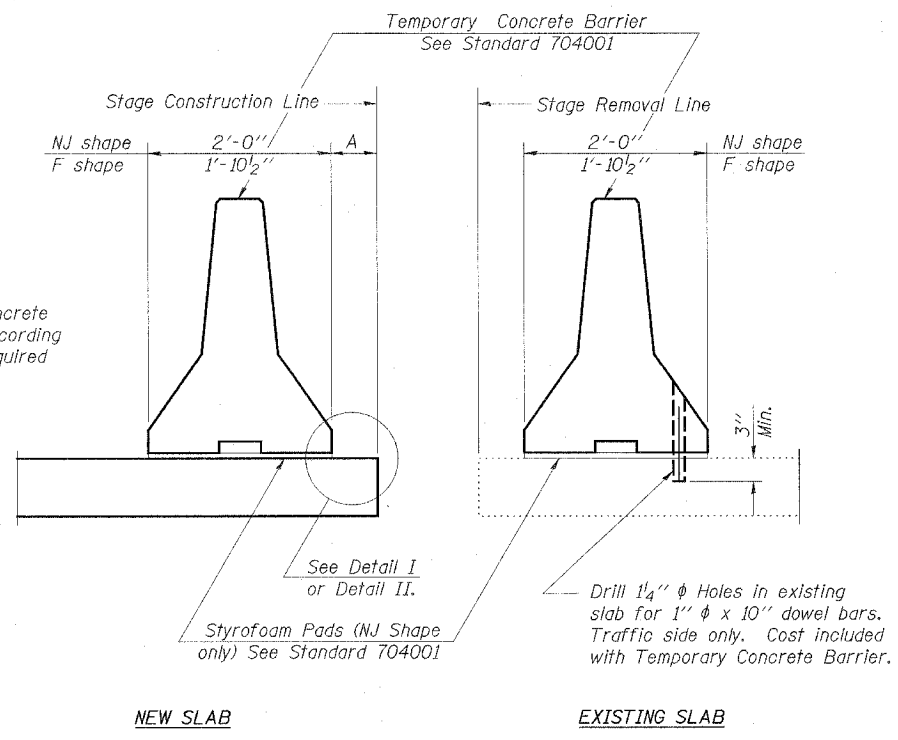


F. A. R/L	SECTION	COUNTY	TOTAL SHEETS	SHEET NO.
885	*	POPE	16	13
STA. 709+74.60		TO STA. 714+62.27		
FED. ROAD DIST. NO.	ILLINOIS	FED. AID PROJECT		

\* - D-9 BSMART FY 07-1

STATE OF ILLINOIS  
DEPARTMENT OF TRANSPORTATION

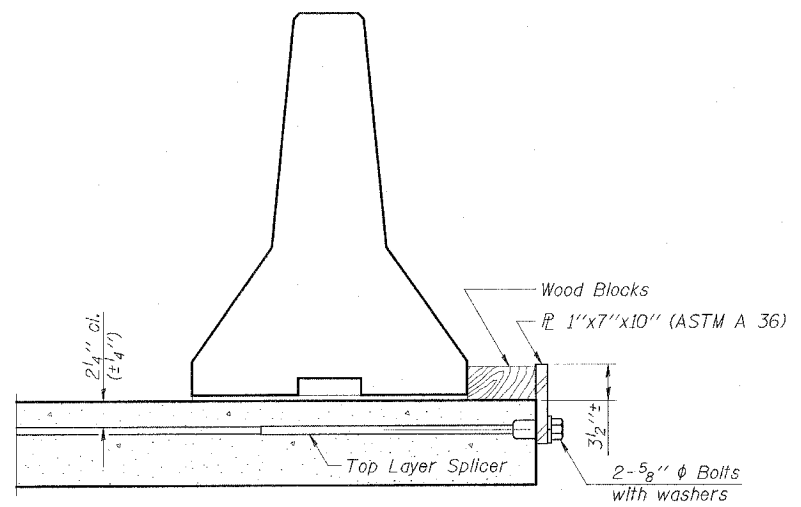


When "A" is 3'-6" or less, the temporary concrete barrier shall be anchored to the new slab according to Detail I or Detail II. No anchorage is required when "A" is greater than 3'-6".

**NOTES**

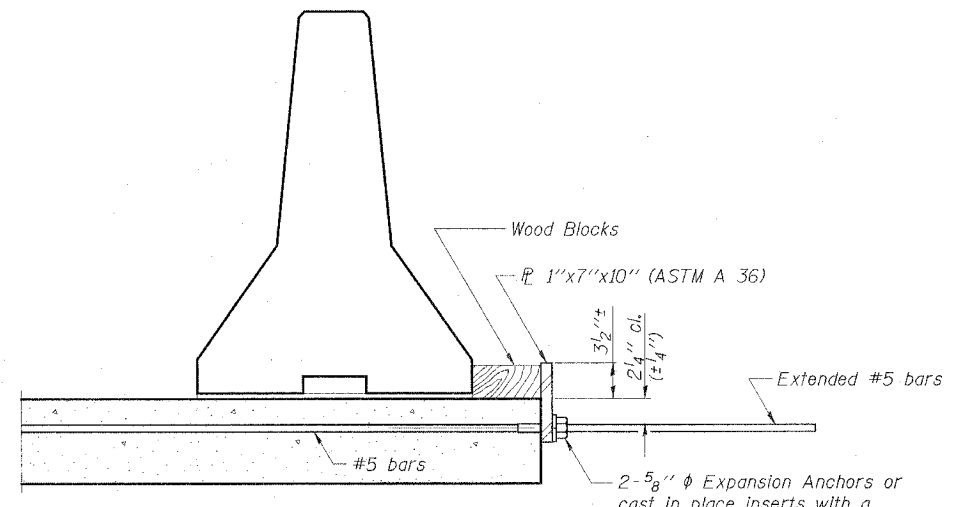
- Detail I - With Bar Splicer or Couplers:  
Connect one (1) 1"x7"x10" steel PL to the top layer of couplers with 2-5/8" φ bolts screwed to coupler at approximate C of each barrier panel.
  - Detail II - With Extended Reinforcement Bars:  
Connect one (1) 1"x7"x10" steel PL to the concrete slab with 2-5/8" φ Expansion Anchors or cast in place inserts spaced between the top layer of reinforcement at approximate C of each barrier panel.
- Cost of anchorage is included with Temporary Concrete Barrier.

SECTIONS THRU SLAB



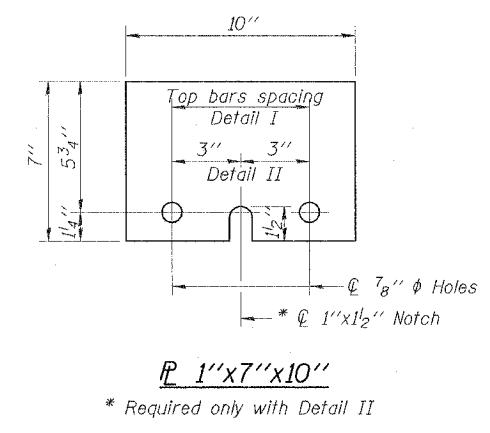
**DETAIL I**

The 1"x7"x10" Plate shall not be removed until Stage II Construction forms and reinforcement bars are in place.



**DETAIL II**

The 1"x7"x10" Plate shall not be removed until Stage II Construction forms and all reinforcement bars are in place and the concrete is ready to be placed.



**1"x7"x10"**  
\* Required only with Detail II

**CONCRETE BARRIER  
DETAILS  
ILL 146 OVER HILLS BRANCH  
POPE COUNTY  
STA. 712+18.3  
SN 076-0007**