

SUMMARY OF QUANTITIES - CONT

COUNTY:	UNION	UNION	UNION
ROUTE:	(FAP 885) IL 146/127	(FAP 885) IL 146/127	(FAP 885) IL 146/127
FUNDING:	80% FEDERAL 20% STATE	80% FEDERAL 20% STATE	80% FEDERAL 10% STATE 10% CITY
LOCATION:	RURAL	URBAN	URBAN
	ROADWAY	ROADWAY	ROADWAY
	0005	0005	0005

CODE NUMBER	ITEM DESCRIPTION	UNIT	TOTAL QUANTITY	RURAL ROADWAY 0005	URBAN ROADWAY 0005	URBAN ROADWAY 0005
48203100	HOT-MIX ASPHALT SHOULDERS	TON	1,531	1,531		
* 63000001	STEEL PLATE BEAM GUARDRAIL, TYPE A, 6 FOOT POSTS	FOOT	237.5	237.5		
* 63000003	STEEL PLATE BEAM GUARDRAIL, TYPE A, 9 FOOT POSTS	FOOT	3,000	3,000		
* 63000019	NON-BLOCKED STEEL PLATE BEAM GUARDRAIL, 6 FOOT (1.83M) POSTS	FOOT	317.2	317.2		
* 63000030	STRONG POST GUARDRAIL ATTACHED TO CULVERT	FOOT	125	125		
* 63000050	WEAK POST GUARDRAIL ATTACHED TO CULVERT CASE I	FOOT	100	100		
* 63100045	TRAFFIC BARRIER TERMINAL, TYPE 2	EACH	8	8		
* 63100085	TRAFFIC BARRIER TERMINAL, TYPE 6	EACH	4	4		
* 63100167	TRAFFIC BARRIER TERMINAL, TYPE 1 (SPECIAL) TANGENT	EACH	12	12		
63200310	GUARDRAIL REMOVAL	FOOT	4,059	4,059		
64200108	SHOULDER RUMBLE STRIPS, 8 INCH	FOOT	15,402	15,402		
67000400	ENGINEER'S FIELD OFFICE, TYPE A	CAL MO	10	5	5	
67100100	MOBILIZATION	L SUM	1.0	0.5	0.5	
70100460	TRAFFIC CONTROL AND PROTECTION, STANDARD 701306	L SUM	1.0	1.0		

* SPECIALTY ITEM

△ REVISÉD 9-12-2023

MODEL - SUMMARY OF QUANTITIES (Sheet)
FILE NAME - p:\iids\cm\benhoy\com\p\DOT\Documents\DOT_Offices\District 9\CHRD Projects\885\1044\DD\StateCAD\Sheets\0918970-SHQ-500.dgn

USER NAME = John.A.Brandon	DESIGNED -	REVISED -
PLOT SCALE = 0.16666633 1/in.	DRAWN -	REVISED -
PLOT DATE = 7/11/2023	CHECKED -	REVISED -
	DATE -	REVISED -

STATE OF ILLINOIS
DEPARTMENT OF TRANSPORTATION

SUMMARY OF QUANTITIES

SCALE: NO SCALE SHEET OF SHEETS STA. TO STA.

F.A.P. RTE.	SECTION	COUNTY	TOTAL SHEETS	SHEET NO.
885	104RS-7	UNION	25	6
CONTRACT NO. 78970			ILLINOIS FED. AID PROJECT	

GUARDRAIL SCHEDULE

LOCATION STATION TO STATION		LEFT OR RIGHT	STEEL PLATE BEAM GUARDRAIL TYPE A, 9 FOOT POSTS	STEEL PLATE BEAM GUARDRAIL TYPE A, 6 FOOT POSTS	NON-BLOCKED STEEL PLATE BEAM GUARDRAIL	STRONG POST GUARDRAIL ATTACHED TO CULVERT	WEAK POST GUARDRAIL ATTACHED TO CULVERT CASE I	GUARDRAIL REFLECTORS, TYPE A	GUARDRAIL REMOVAL	TRAFFIC BARRIER TERMINAL, TYPE 6	TRAFFIC BARRIER TERMINAL, TYPE 2	TRAFFIC BARRIER TERMINAL, TYPE 1 (SPECIAL) TANGENT	TERMINAL MARKERS - DIRECT APPLIED	COMMENTS
STA.	TO STA.		FOOT	FOOT	FOOT	FOOT	FOOT	EACH	FOOT	EACH	EACH	EACH	EACH	
SN 091-2012														
X	115+49.18	TO 118+80.43	RT	175.0			50.0	4	200.0			2	2	
X	116+17.57	TO 119+48.82	LT	87.5		28.2	50.0	4	137.5		1	1	1	10' RADIUS NW
SN 091-7043														
	123+16.9	TO 125+35.65	RT	112.5		51.1		4	150.0		1	1	1	10' RADIUS NE
	123+62.65	TO 125+81.4	LT	25.0		79.3		4	87.5		2			10' SW & 25' NW RADIUS
SN 091-7042														
	127+09.81	TO 127+62.92	RT					8	475.0			1	1	
	127+62.92	TO 137+81.68	RT	1018.8										
	137+81.68	= 137+85.1												
	137+85.1	TO 138+27.96	RT	146.2					1,500.0					
	138+27.96	TO 149+37.96	RT	1110.0				8						
	149+37.96	TO 149+91.06	RT						300.0			1	1	
SN 091-0072														
	158+18.92	TO 158+68.92	RT						50.0			1	1	
	158+68.92	TO 159+81.42	RT	112.5					112.5					
	159+81.42	TO 160+14.57	RT					4	33.2	1				
	161+53.41	TO 161+86.56	RT						33.2	1				
	161+86.56	TO 162+36.56	RT	50.0					50.0					
	162+36.15	TO 162+86.15	RT						50.0			1	1	
	159+21.44	TO 159+71.44	LT						50.0			1	1	
	159+71.44	TO 160+21.44	LT	50.0					50.0					
	160+24.44	TO 160+54.59	LT					4	33.2	1				
	162+07.54	TO 162+40.69	LT						33.2	1				
	162+40.69	TO 163+53.19	LT	112.5					112.5					
	163+53.19	TO 164+03.19	LT						50.0			1	1	
SN 091-2026														
	170+50.	TO 1730+08.	RT					4.0	280.0					
	170+33.75	TO 170+86.88	RT									1	1	
	170+86.88	TO 171+99.38	RT		112.5									
	171+99.38	TO 172+49.38	RT			50.0								
	172+49.38	TO 172+86.88	RT		37.5									
	172+86.88	TO 173+00.	RT			28.2					1			10' RADIUS NW
	170+90.	TO 173+00.	LT					4.0	205.0					
	170+84.16	TO 171+37.29	LT									1	1	
	171+37.29	TO 172+12.29	LT	75.0										
	172+12.29	TO 172+62.29	LT				50.0							
	172+62.29	TO 172+74.79	LT	12.5										
	172+74.79	TO 173+00	LT			51.1					1			25' RADIUS SW
SN 091-7041														
	173+60.	TO 174+25.	LT					4.0	66.0					
	173+60.	TO 174+25	LT			79.3	25.0				2			10' SE & 25' SW RADIUS
TOTAL				3000	237.5	317.2	125	100	52	4059	4	8	12	12

MODEL: SACDELNAME3
FILE NAME: REFELS

USER NAME = SUSERS	DESIGNED -	REVISED -
PLOT SCALE = SSCALES	DRAWN -	REVISED -
PLOT DATE = SDATES	CHECKED -	REVISED -
	DATE -	REVISED -

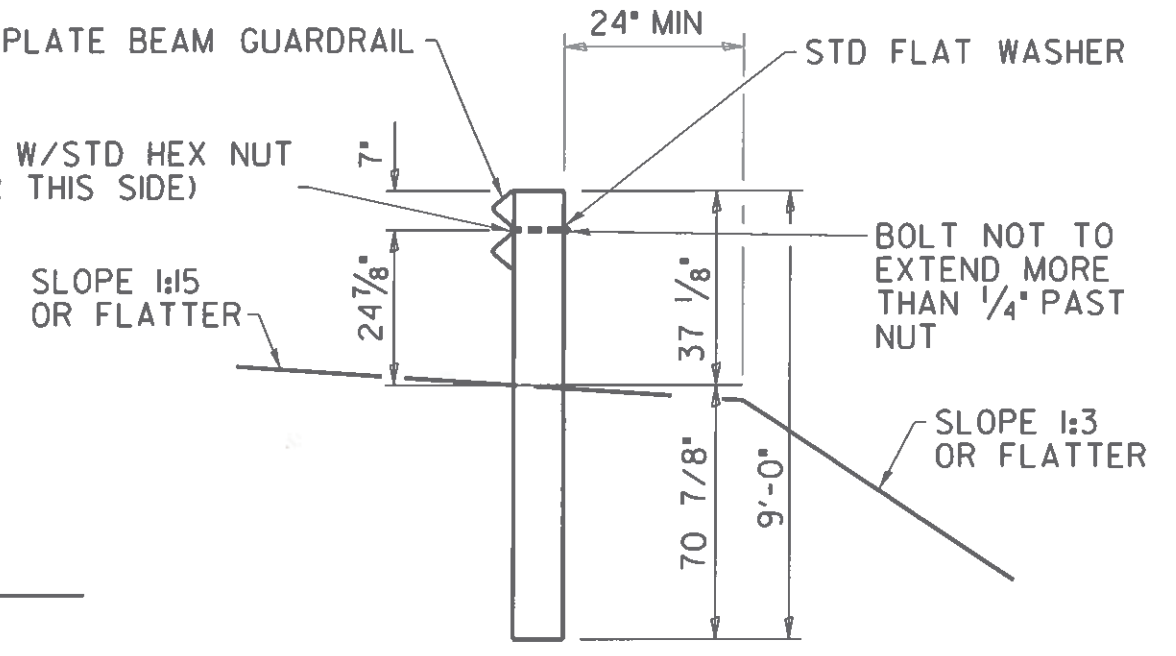
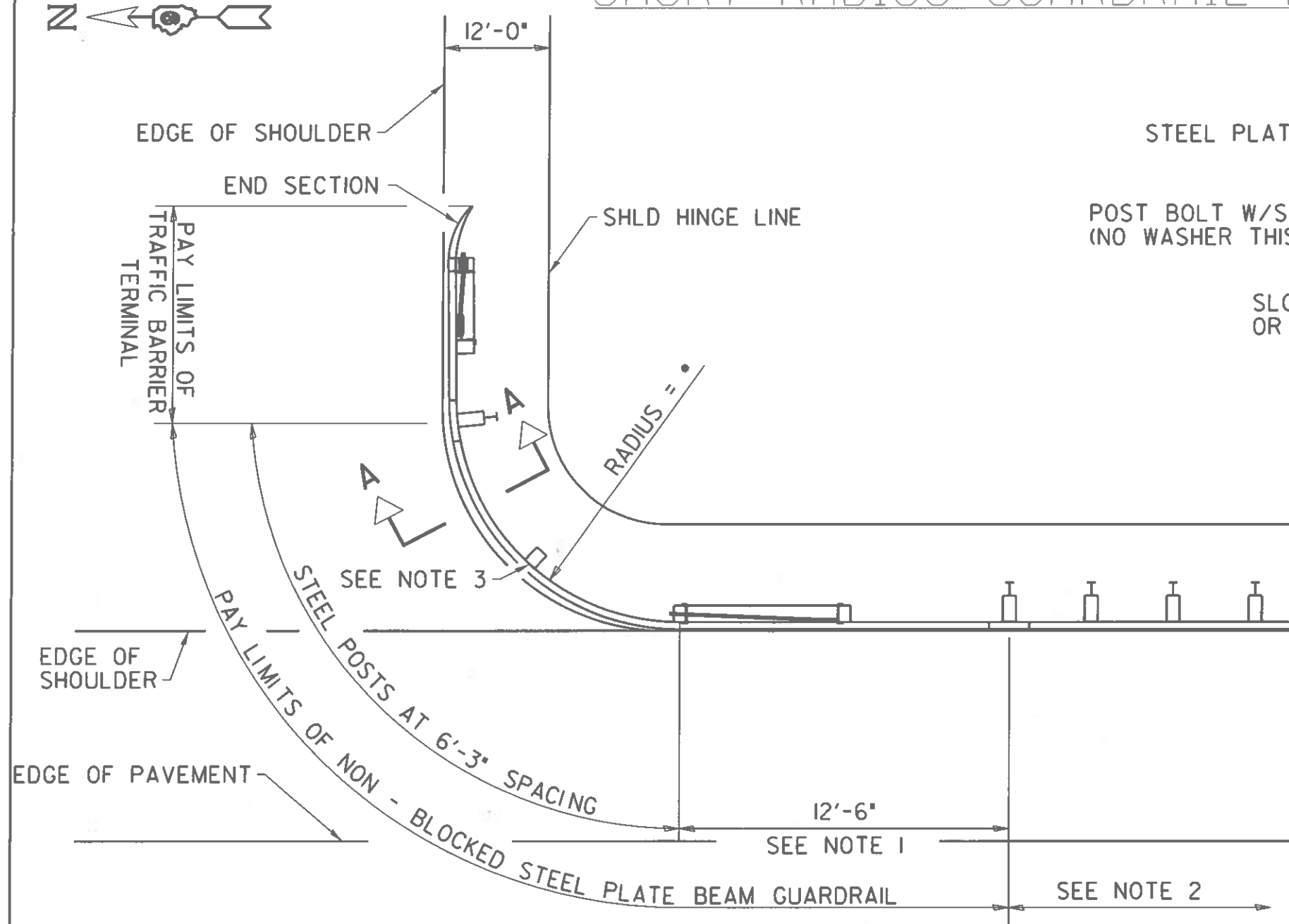
STATE OF ILLINOIS
DEPARTMENT OF TRANSPORTATION

SCHEDULES	
SCALE NO. SCALE	SHEET OF SHEETS STA. TO STA.

F.A.P. RTE.	SECTION	COUNTY	TOTAL SHEETS	SHEET NO.
885	104RS-7	UNION	25	18
CONTRACT NO. 78970				
ILLINOIS FED. AID PROJECT				

2 REVISED 9-12-2023

SHORT RADIUS GUARDRAIL DETAIL



SECTION A-A

NOTES

1. CONSTRUCT ACCORDING TO STANDARD FOR TRAFFIC BARRIER TERMINAL SPECIFIED, EXCEPT DELETE END SECTION AND SPLICE INTO RADIUS GUARDRAIL.
2. STEEL PLATE BEAM GUARDRAIL TYPE A, OR TRAFFIC BARRIER TERMINAL AS SPECIFIED.
3. THE RAIL IS NOT BOLTED TO THE POST LOCATED AT THE MIDPOINT OF THE CURVE.

*:
 RADIUS = 10 FEET : ARC LENGTH = 15.71 FEET
 RADIUS = 25 FEET : ARC LENGTH = 38.59 FEET



• VARIOUS
 •• 09 GUARDRAIL END SECT FY18-1
 REVISED 9-12-2023

MODEL: BAC061NAME\$ FILENAME: SFILES	USER NAME = SUSER3	DESIGNED -	REVISED -	STATE OF ILLINOIS DEPARTMENT OF TRANSPORTATION	DETAILS: SHORT RADIUS GUARDRAIL DETAIL		F.A.P. RTE. 885	SECTION 104RS-7	COUNTY UNION	TOTAL SHEETS 25	SHEET NO. 22	
	PLOT SCALE = SSCALE\$	DRAWN -	REVISED -		SCALING SCALE	SHEET	OF	SHEETS	STA.	TO STA.	CONTRACT NO. 78970	
	PLOT DATE = SDATE\$	CHECKED -	REVISED -		ILLINOIS	FEELAD PROJECT						