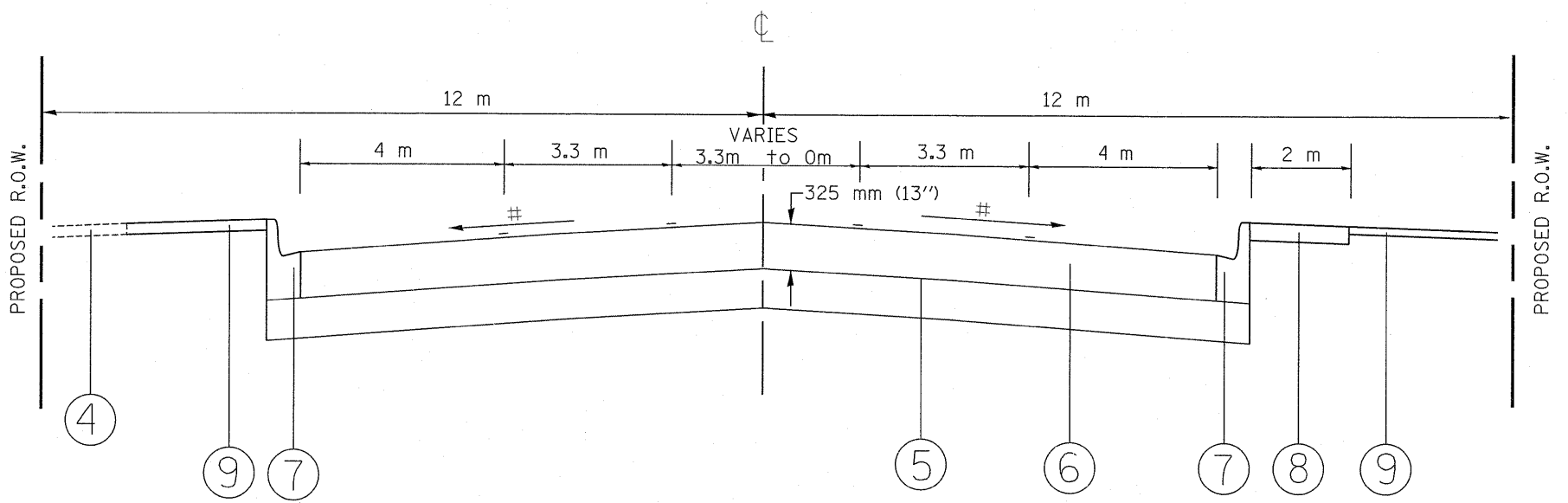


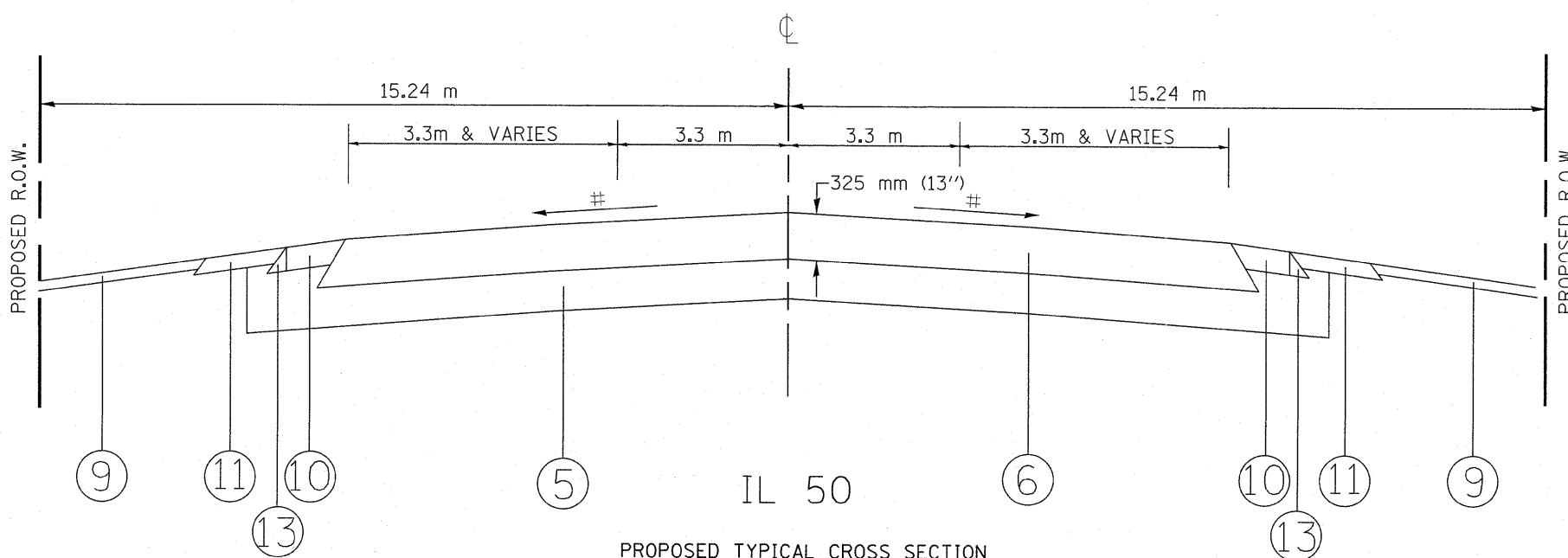
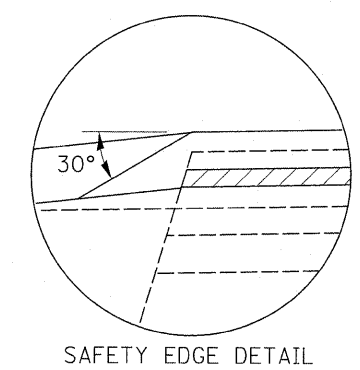
LEGEND

- ① EXISTING PCC PAVEMENT (+/-) 200MM
- ② EXISTING BITUMINOUS SURFACE (+/-) 190MM
- ③ EXISTING STABILIZED SHOULDER
- ④ EXISTING PCC SIDEWALK
- ⑤ PROPOSED AGGREGATE SUBGRADE 300MM (12'')
- ⑥ PROPOSED HMA PAVEMENT (FULL DEPTH), 325MM (13'')
- ⑦ PROPOSED COMBINATION CONCRETE CURB & GUTTER B-15.30 (B-6.12)
- ⑧ PROPOSED PCC SIDEWALK 125MM (5'')
- ⑨ PROPOSED FURNISH AND PLACE TOP SOIL 100MM (4'')
- ⑩ PROPOSED HMA SHOULDER 200MM (8'')
- ⑪ PROPOSED AGGREGATE WEDGE SHOULDER TYPE B 150MM (6'')
- ⑫ POROUS GRANULAR EMBANKMENT
- ⑬ PROPOSED SAFETY EDGE

- * EXISTING SIDEWALK REMOVAL LOCATIONS MARKED ON THE PLANS
- ** MATCH THE EXISTING SIDEWALK AT STA. 1+514
- *** STA.1+470 TO STA. 1+495 (1.5 M SIDEWALK)
STA. 1+495 TO STA. 1+520 (2.0 M SIDEWALK)
- # SUPER ELEVATION VARIES TO MATCH THE EXISTING CROSS SECTION (SEE THE CROSS SECTIONS AND THE DETAILED PROPOSED PAVEMENT ELEVATION PLAN)



IL 50
PROPOSED TYPICAL CROSS SECTION
STA. 1+521 TO STA. 1+600



IL 50
PROPOSED TYPICAL CROSS SECTION
STA. 1+600 TO STA. 1+640

STRUCTURAL TRAFFIC:	YEAR 2014
PV= 13,004	SU= 328 MU= 328
ROAD/STREET CLASSIFICATION:	CLASS 1
P= 32%	S= 45% M= 45%
TRAFFIC FACTOR:	ACTUAL TF= 1.83 AC TYPE= 10
	MINIMUM TF= 4.27
AC GRADE:	BINDER= PG 64-22 SURFACE= PG 64-22
SUBGRADE SUPPORT RATING:	
SSR= 2.00	(STA. _____ To _____)
SSR= 2.00	(STA. _____ To _____)

TO DRAIN THE AGGREGATE SUB GRADE 300 mm,
PROVIDE 100 mm DIAMETER TRAVERSE PIPE
UNDER DRAIN AT 90 METER SPACING.

REVISIONS		ILLINOIS DEPARTMENT OF TRANSPORTATION
NAME	DATE	
		IL - 50 (GOVERNOR'S HIGHWAY) TYPICAL CROSS SECTION
SCALE: NONE		DRAWN BY
DATE: 8/17/2011		CHECKED BY