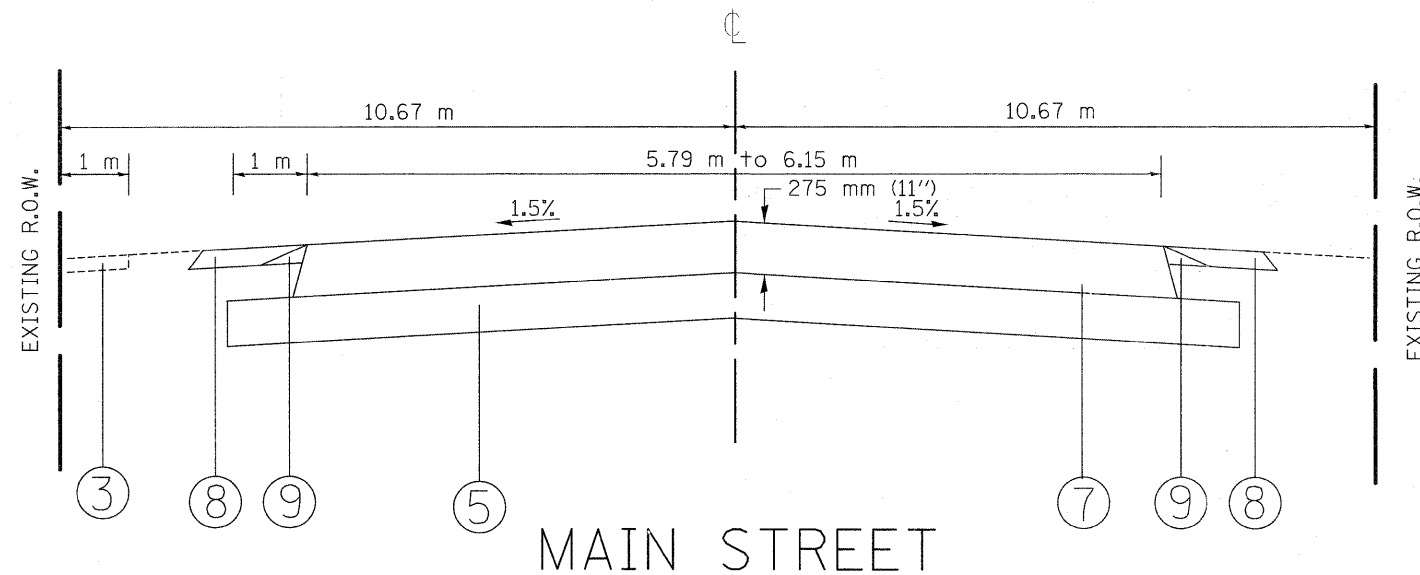


F.A.P. RTE.	SECTION	COUNTY	TOTAL SHEETS	SHEET NO.
840	143 N	WILL	121	10
STA.		TO STA.		
FED. ROAD DIST. NO. 1		ILLINOIS FED. AID PROJECT		

CONTRACT NO. - 60445

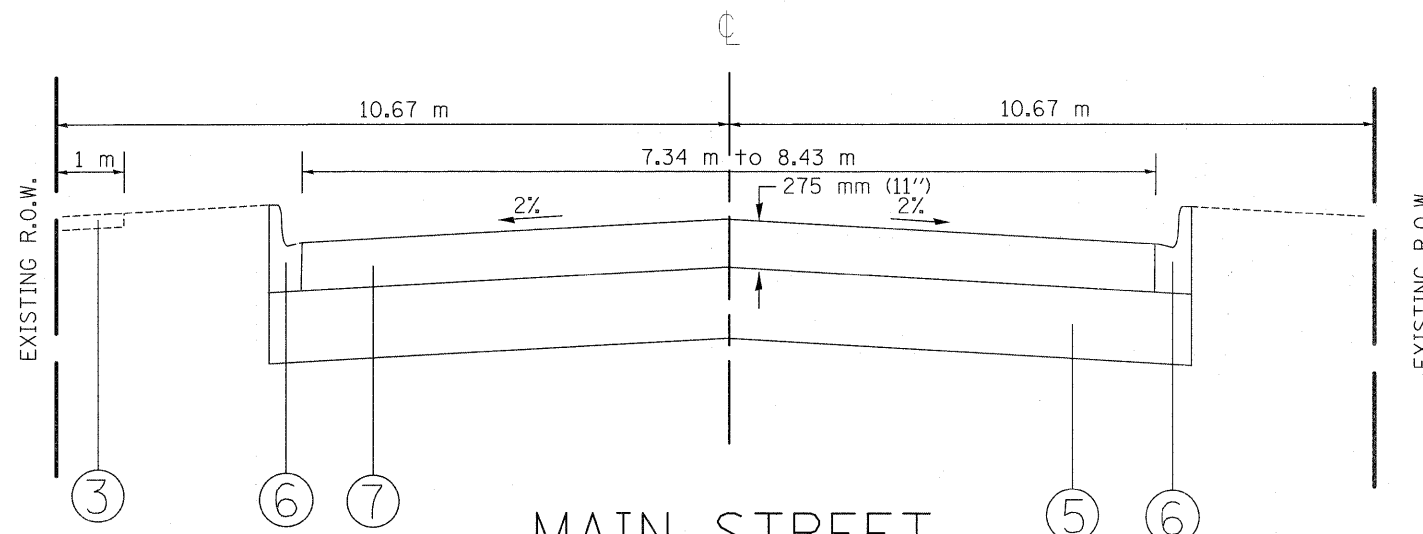


MAIN STREET

PROPOSED TYPICAL CROSS SECTION
STA. 4+920 TO STA. 4+988

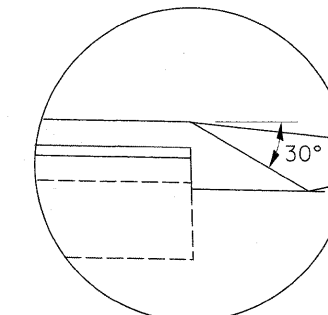
LEGEND

- ① EXISTING HMA PAVEMENT (+ /-) 230MM
- ② EXISTING AGGREGATE SHOULDER
- ③ EXISTING P.C.C. SIDEWALK
- ④ EXISTING CURB AND GUTTER, B-15.30 (B-6.12)
- ⑤ PROPOSED AGGREGATE SUB-GRADE, 300MM (12'')
- ⑥ PROPOSED COMBINATION CURB AND GUTTER, B-15.30 (B-6.12)
- ⑦ PROPOSED HMA PAVEMENT (FULL DEPTH) 275MM (11'')
(SEE MIXTURE TABLE FOR REQUIREMENT)
- ⑧ PROPOSED AGGREGATE WEDGE SHOULDER, TYPE B, 150MM (6'')
- ⑨ PROPOSED SAFETY EDGE



MAIN STREET

PROPOSED TYPICAL CROSS SECTION
STA. 5+000 TO STA. 5+080



SAFETY EDGE DETAIL

TO DRAIN THE AGGREGATE SUB GRADE 300 mm,
PROVIDE 100 mm DIAMETER TRAVERSE PIPE
UNDER DRAIN AT 90 METER SPACING.

REVISIONS	
NAME	DATE

ILLINOIS DEPARTMENT OF TRANSPORTATION
MAIN STREET
TYPICAL CROSS SECTION
SCALE: NONE
DATE: 5/7/2011
DRAWN BY
CHECKED BY