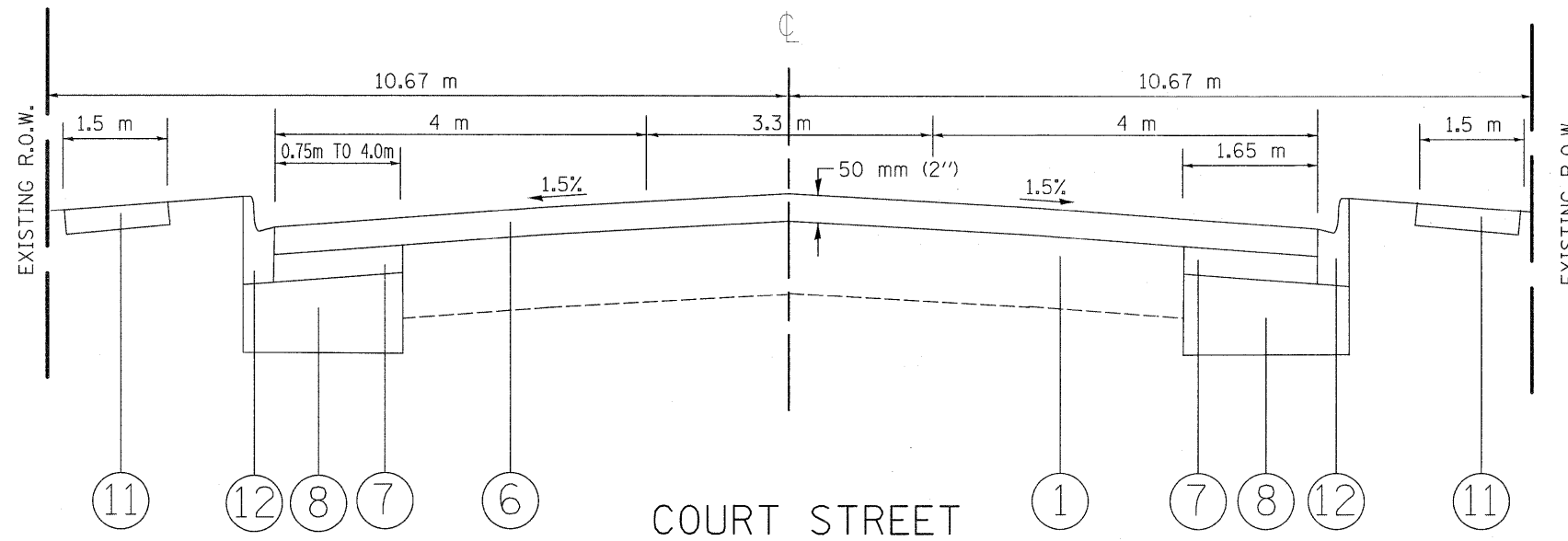


F.A.P. RTE.	SECTION	COUNTY	TOTAL SHEETS	SHEET NO.
840	143 N	WILL	121	12
STA.		TO STA.		
FED. ROAD DIST. NO. 1		ILLINOIS FED. AID PROJECT		

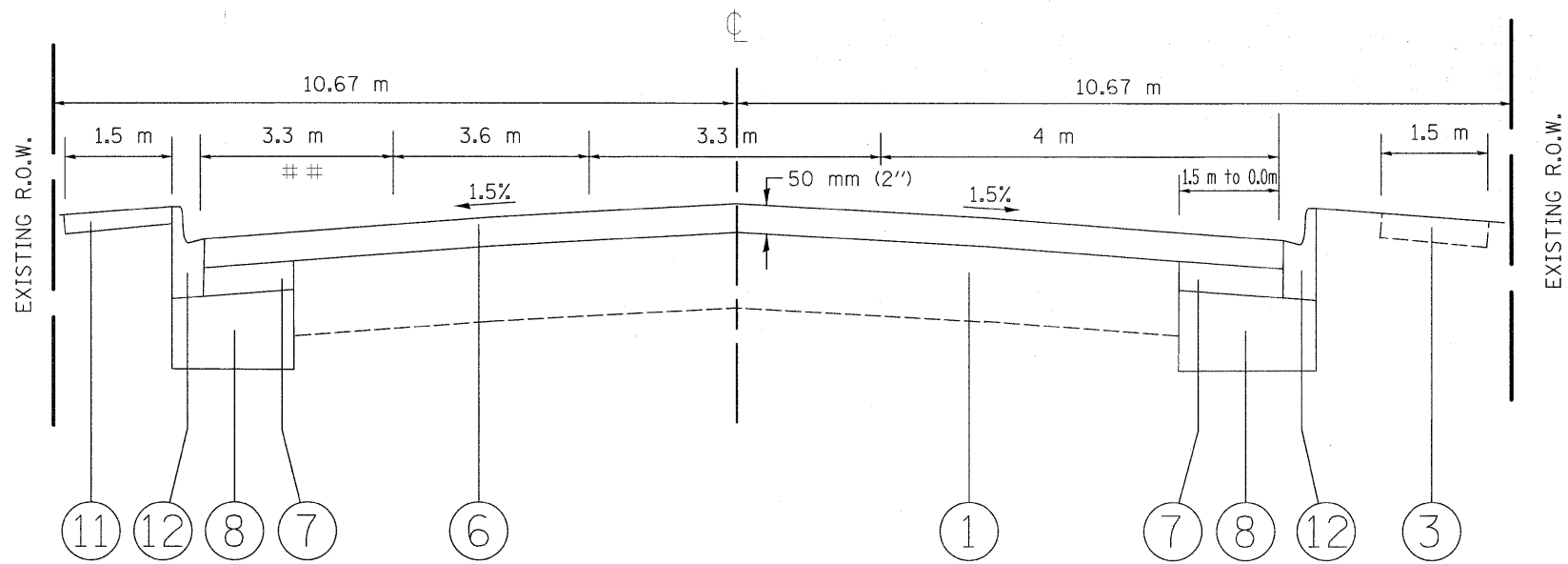
CONTRACT NO. - 60445



COURT STREET  
PROPOSED TYPICAL CROSS SECTION  
STA. 3+450 TO STA. 3+500

LEGEND

- ① EXISTING HMA PAVEMENT (+/-) 270MM
  - ② EXISTING AGGREGATE SHOULDER
  - ③ EXISTING P.C.C. SIDEWALK
  - ④ EXISTING CURB AND GUTTER B-15.30 (B-6.12)
  - ⑤ PROPOSED HMA SURFACE REMOVAL ±50MM (2'')
  - ⑥ PROPOSED HMA SURFACE COURSE, MIX D N70, 50MM (2'')
  - ⑦ PROPOSED HMA BASE COURSE WIDENING, 225MM (9'')
  - ⑧ PROPOSED AGGREGATE SUBGRADE 300MM (12'')
  - ⑨ PROPOSED HMA SHOULDER, 200MM (8'')
  - ⑩ PROPOSED AGGREGATE WEDGE SHOULDER TYPE B, 150MM (6'')
  - ⑪ PROPOSED P.C.C. SIDEWALK 125MM (5'')
  - ⑫ PROPOSED COMBINATION CURB AND GUTTER B-15.30 (B-6.12)
- ## FROM STA. 3+623 TO STA. 3+650.5  
VARIES FROM 4.25M TO 0.0M



COURT STREET  
PROPOSED TYPICAL CROSS SECTION  
STA. 3+550 TO STA. 3+650.5

NOTE: THE ADDITIONAL THICKNESS OF AGGREGATE REQUIRED UNDER THE SHOULDER WILL NOT BE PAID FOR SEPARATELY. IT IS INCLUDED IN THE COST OF AGGREGATE SUBGRADE, 300 MM (SQ.M.).

TO DRAIN THE AGGREGATE SUB GRADE 300 mm, PROVIDE 100 mm DIAMETER TRAVERSE PIPE UNDER DRAIN AT 90 METER SPACING.

REVISIONS		ILLINOIS DEPARTMENT OF TRANSPORTATION
NAME	DATE	
		COURT STREET TYPICAL CROSS SECTION
SCALE: NONE		DRAWN BY
DATE: 5/7/2011		CHECKED BY