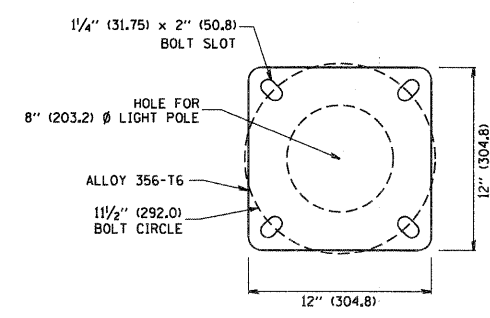
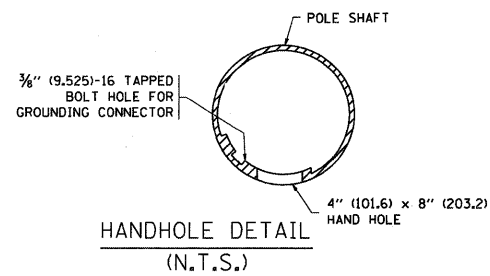


- NOTES:**
1. ALL DIMENSIONS ARE IN INCHES (MILLIMETERS) UNLESS OTHERWISE SHOWN.
 2. MOUNTING HEIGHT IS DEFINED AS THE DISTANCE FROM THE CENTERLINE OF THE TENON TO THE BOTTOM OF THE ANCHOR BASE.
 3. THE LIGHT POLE WILL MEET AASHTO DESIGN CRITERIA AS SPECIFIED.
 4. THE INSTALLING CONTRACTOR WILL PROVIDE A UL LISTED GROUNDING CONNECTOR, BURNDY K2C23, T&B SP4DL OR APPROVED EQUAL.
 5. LIGHT POLES WILL NOT BE INSTALLED WITHOUT MAST ARMS AND LUMINAIRES.
 6. LIGHT POLES WILL BE SET PLUMB ON THE FOUNDATION WITHOUT THE USE OF LEVELING NUTS, WASHERS OR SHIMS.
 7. LIGHTING UNIT IDENTIFICATION NUMBERS SHALL BE INSTALLED BEFORE THE LIGHTING UNIT IS ENERGIZED.



LIGHT POLE BASE PLATE DETAIL
1 1/2" (292.0) BOLT CIRCLE



HANDHOLE DETAIL
(N.T.S.)

FILE NAME = W:\dststd\22x34\be482.dgn	USER NAME = gaglianobt	DESIGNED - -	REVISED - R. TOMSONS 09-06-00
	PLOT SCALE = 50.000 ' / IN.	DRAWN - -	REVISED - R. TOMSONS 09-02-03
	PLOT DATE = 1/4/2008	CHECKED - -	REVISED - -
		DATE - -	REVISED - -

**STATE OF ILLINOIS
DEPARTMENT OF TRANSPORTATION**

ALUMINUM LIGHT POLE		F.A.P. RTE.	SECTION	COUNTY	TOTAL SHEETS	SHEET NO.
35'-0" (10.668 m) MOUNTING HEIGHT		840	143N	WILL	121	78
SCALE: NONE		SHEET NO. 1 OF 1 SHEETS		STA.	TO STA.	
FED. ROAD DIST. NO. 1 ILLINOIS FED. AID PROJECT						