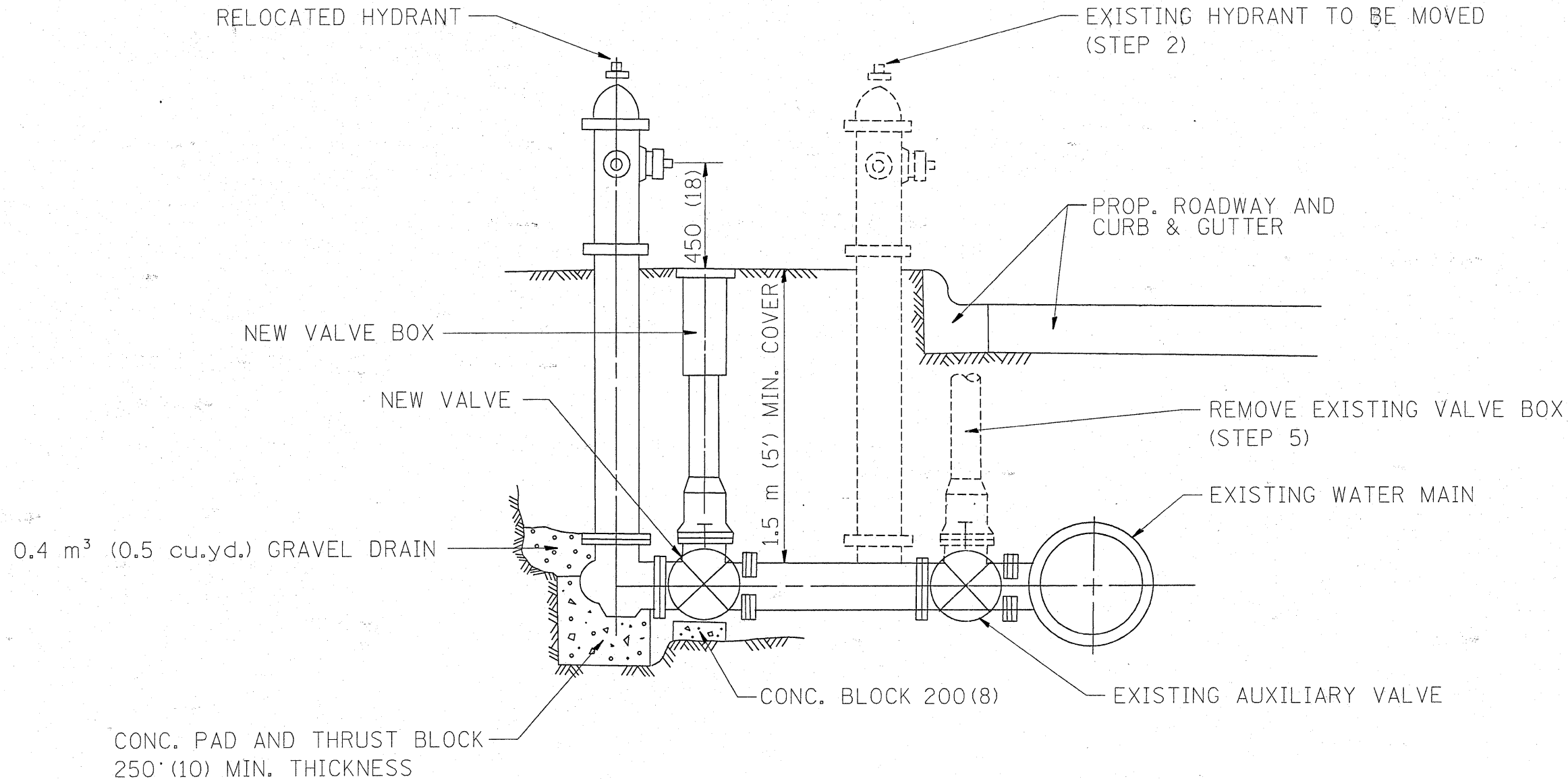


CONTRACT # 60445



- SEQUENCE OF CONSTRUCTION:
1. CLOSE EXISTING VALVE.
 2. REMOVE EXISTING HYDRANT.
 3. INSTALL HYDRANT EXTENSION AND NEW VALVE.
 4. RELOCATE EXISTING HYDRANT.
 5. OPEN EXISTING VALVE, REMOVE BOX.
 6. BACKFILL.
 7. FLUSH AND TEST FOR CHLORIDE RESIDUAL AND PROVIDE TEST.

ALL WORK TO BE DONE IN ACCORDANCE WITH ARTICLE 564 OF THE STANDARD SPECIFICATIONS. NEW VALVE AND BOX SHALL BE SAME MAKE AND MODEL AS EXISTING.

FIRE HYDRANT TO BE MOVED

ALL DIMENSIONS ARE IN MILLIMETERS (INCHES) UNLESS OTHERWISE SHOWN.

ILLINOIS DEPARTMENT OF TRANSPORTATION

FIRE HYDRANT TO BE MOVED

REVISIONS	
NAME	DATE
R. SHAH	09/09/94
R. SHAH	10/25/94

SCALE: NONE
DATE 02/27/2003

DRAWN BY
CHECKED BY
BD500-03 (BD-36)
REVISION DATE: 10/25/94
114