

INDEX OF SHEETS

- S1. General Plan & Elevation
- S2. General Notes, Index of Sheets & Total Bill of Material
- S3. Stage Construction Details
- S4. Temporary Concrete Barrier for Stage Construction
- S5. Top of Deck Elevations (1 of 3)
- S6. Top of Deck Elevations (2 of 3)
- S7. Top of Deck Elevations (3 of 3)
- S8. Top of South Approach Elevations
- S9. Top of North Approach Elevations
- S10. Deck Plan and Section
- S11. Parapet and Sidewalk Elevation and Details
- S12. Bridge Fence Railing, Parapet Mounted
- S13. Preformed Joint Strip Seal
- S14. Drainage Scupper DS-11
- S15. Drainage Scupper DS-12
- S16. Bridge Drainage System
- S17. Vaulted Abutment Approach Span (1 of 2)
- S18. Vaulted Abutment Approach Span (2 of 2)
- S19. South Approach Slab
- S20. North Approach Slab
- S21. Approach Slab Section and Details
- S22. Sidewalk Moment Slabs
- S23. Structural Steel Details
- S24. Bearing Details
- S25. South Abutment Repair
- S26. South Abutment Backwall Reconstruction
- S27. North Abutment Repair
- S28. North Abutment Backwall Reconstruction
- S29. Pier Repair
- S30. Bar Splicer Assembly
- S30A. Existing Soil Borings
- S31. Existing Bridge Plans (1 of 6)
- S32. Existing Bridge Plans (2 of 6)
- S33. Existing Bridge Plans (3 of 6)
- S34. Existing Bridge Plans (4 of 6)
- S35. Existing Bridge Plans (5 of 6)
- S36. Existing Bridge Plans (6 of 6)

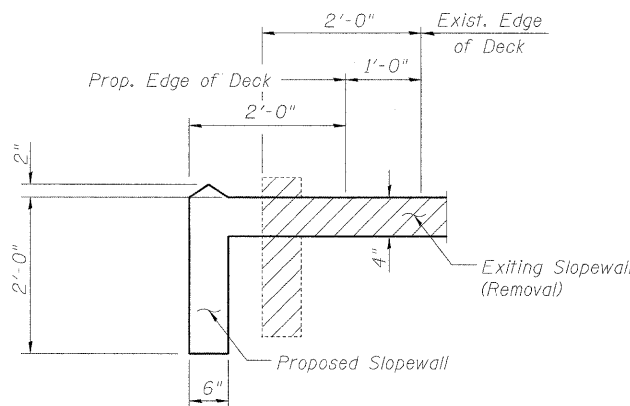
GENERAL NOTES

1. Fasteners shall be AASHTO M164 Type 1, mechanically galvanized bolts. Bolts $\frac{3}{4}$ in. ϕ , holes $\frac{1}{8}$ in. ϕ , unless otherwise noted.
2. No field welding is permitted except as specified in the contract documents.
3. Reinforcement bars shall conform to the requirements of ASTM A 706 Gr 60. See Special Provisions.
4. Reinforcement bars designated (E) shall be epoxy coated.
5. Prior to pouring the new concrete deck, all heavy or loose rust, loose mill scale, and other loose or potentially detrimental foreign material shall be removed from the surfaces in contact with concrete. Tightly adhered paint may remain unless otherwise noted. Removal shall be accomplished by methods that will not damage the steel and the cost will be included in the pay item covering removal of the existing concrete.

As directed by the Engineer, existing construction accessories welded to the top flange of beams and girders shall be removed. The weld areas shall be ground flush and inspected for cracks using magnetic particle testing (MT) or dye penetrant testing (PT) by qualified personnel approved by the Engineer. Any cracks that can not be removed by grinding $\frac{1}{4}$ in. deep shall be identified and reported to the Bureau of Bridges and Structures for further disposition. The cost of removing welded accessories, grinding and inspecting weld areas and grinding cracks will be paid for according to Article 109.04 of the Standard Specifications.
6. Plan dimensions and details relative to existing plans are subject to nominal construction variations. The Contractor shall field verify existing dimensions and details affecting new construction and make necessary approved adjustments prior to construction or ordering of materials. Such variations shall not be cause for additional compensation for a change in scope of the work, however, the Contractor will be paid for the quantity actually furnished at the unit price bid for the work.
7. Concrete Sealer shall be applied to the designated areas of the exposed surface of the new backwalls.
8. Cleaning and field painting of structural steel shall be done under a separate painting contract.
9. Existing structural steel shall only be cleaned and painted as required by the Special Provision for "Cleaning and Painting Contact Surface Areas of Existing Steel Structures."
10. All new structural steel shall be shop painted with an inorganic zinc rich primer per AASHTO M 300, Type 1.
11. The existing structural steel coating contains lead. The Contractor shall take appropriate precautions to deal with the presence of lead on this project.
12. Slipforming of parapets is not allowed.
13. Areas of the existing bridge have permanent protective shield in place. If any part of the existing permanent protective shield system is to be re-used as temporary protective shield, the Contractor shall submit design calculations to the Engineer proving the system meets the requirements of Article 501.03 of the Standard Specifications. The calculations shall be prepared and sealed by an Illinois Licensed Structural Engineer. The cost of removal of all Protective Shield, temporary and existing permanent protective shield shall be included in the cost of Protective Shield.

TOTAL BILL OF MATERIAL

ITEM	UNIT	SUPER	SUB	TOTAL
Stone Riprap, Class A4	Sq. Yd.		3	3
Concrete Removal	Cu. Yd.	52.4		52.4
Slope Wall Removal	Sq. Yd.		136	136
Removal of Existing Concrete Deck	Each	1		1
Protective Shield	Sq. Yd.	1311		1311
Structure Excavation	Cu. Yd.		36	36
Concrete Structures	Cu. Yd.		69.7	69.7
Concrete Superstructure	Cu. Yd.	817.6		817.6
Bridge Deck Grooving	Sq. Yd.	1335		1335
Protective Coat	Sq. Yd.	2244		2244
Furnishing and Erecting Structural Steel	Pound	3850		3850
Stud Shear Connectors	Each	320		320
Reinforcement Bars, Epoxy Coated	Pound	163,620	11,480	175,100
Bar Splicers	Each	891	97	988
Bridge Fence Railing	Foot	501.0		501.0
Slope Wall 4 Inch	Sq. Yd.		139	139
Name Plates	Each	1		1
Preformed Joint Strip Seal	Foot	146.0		146.0
Elastomeric Bearing Assembly, Type I	Each	20		20
Anchor Bolts, 1 1/4"	Each	40		40
Concrete Sealer	Sq. Ft.		803	803
Epoxy Crack Injection	Foot		41	41
Geocomposite Wall Drain	Sq. Yd.		24	24
Porous Granular Embankment, Special	Cu. Yd.		36	36
Jack and Remove Existing Bearings	Each	20		20
Structural Repair of Concrete (Depth Equal to or Less than 5 inches)	Sq. Ft.		664	664
Drainage Scuppers, DS-11	Each	12		12
Drainage Scuppers, DS-12	Each	2		2
Drainage System	L. Sum		1	1
Temporary Sheet Piling	Sq. Ft.		141	141
Pipe Underdrains for Structures 4"	Foot		69	69



SECTION A-A

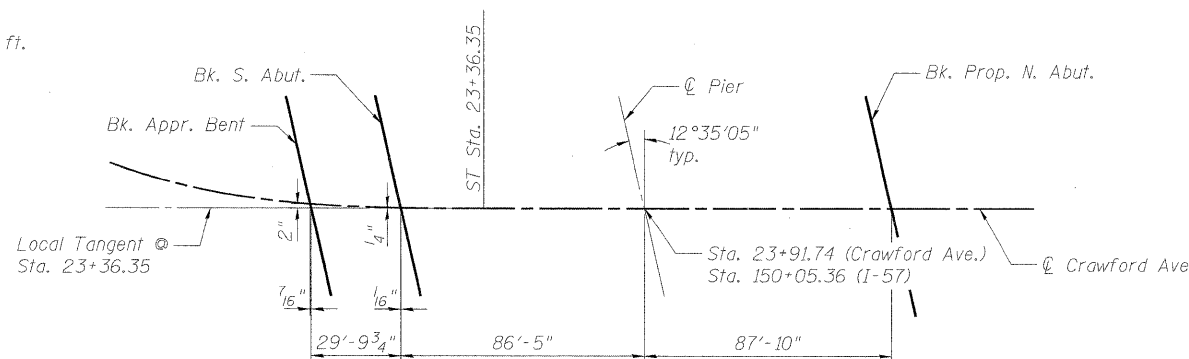
Slope wall shall be reinforced with welded wire fabric, 6 in. x 6 in. - W4.0 x W4.0, weighing 58 lbs. per 100 sq. ft.

STATION 23+91.74
REBUILT 20 BY
STATE OF ILLINOIS
F.A.P. RTE. 57 SEC. 1112.1B
LOADING HS-20
STRUCTURE NO. 016-1015

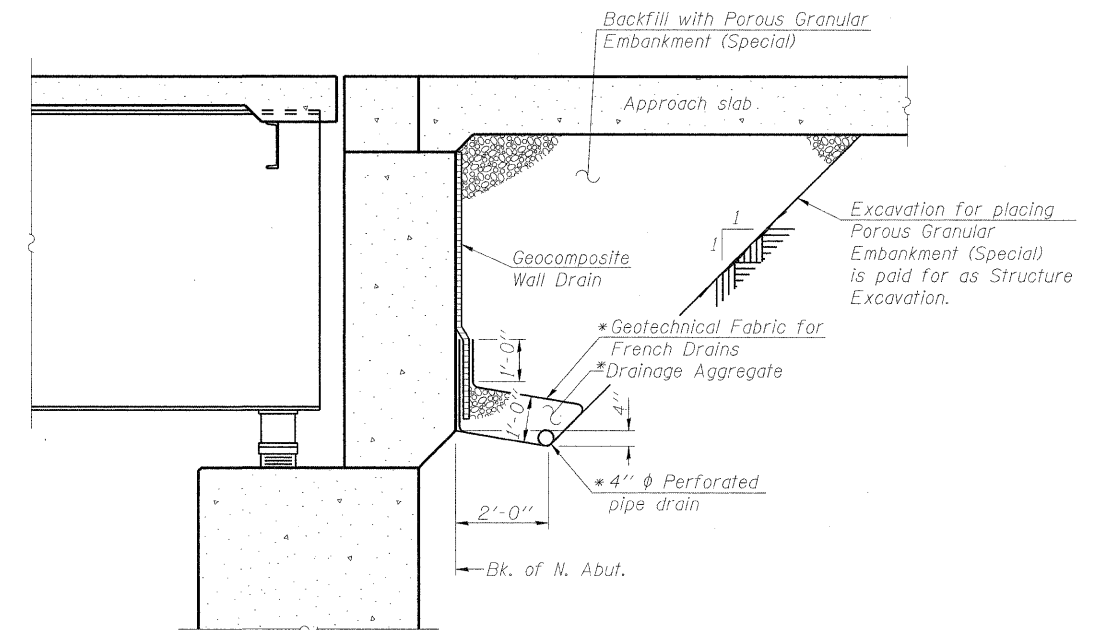
NAME PLATE

See Std. 515001

Existing Name Plate shall be cleaned and relocated next to new Name Plate. Cost included with Name Plates.
See Sheet S1 for Name Plate location.



OFFSET SKETCH



SECTION THRU NORTH ABUTMENT

(Horiz. dim. @ Rt. L's)

Note:

All drainage system components shall extend parallel the full length of the North Abutment back wall except an outlet pipe shall extend until intersecting with the wingwalls. The wingwalls shall be cored to accept the outlet pipe. This work shall be included in the pay item for Pipe Underdrains for Structures 4".

*Included in the cost of Pipe Underdrains for Structures 4"

FILE NAME: g:\proj\sect\2102105_20A\cadd\structure\110161015_60863_002-General Notes.dgn

	USER NAME = zsaayerb	DESIGNED - TWO	REVISED -	STATE OF ILLINOIS DEPARTMENT OF TRANSPORTATION	GENERAL NOTES, STAGE CONSTRUCTION & TOTAL BILL OF MATERIAL STRUCTURE NO. 016-1015	F.A.I. RTE. 57	SECTION 1112.1B	COUNTY COOK	TOTAL SHEETS 75	SHEET NO. 29
	PLOT SCALE = N/A	DRAWN - TWO	REVISED -			CONTRACT NO. 60863				
	PLOT DATE = 8/17/2011	CHECKED - GSP	REVISED -			SHEET NO. S2 OF 36 SHEETS				
						FED. ROAD DIST. NO. 1 ILLINOIS FED. AID PROJECT				